

# Halogen reflector

13298 52W GZ4 10V 1CT



Philips' halogen reflector lamps offer the ideal no-fuss solution for a wide variety of medical, projection and scientific illumination systems. Their proven reliability makes them ideal for retrofit installations. The burners are precisely aligned for optimal light performance. Dichroic reflectors ensure heat dissipation towards the back of the optical system, which helps the optical system remain within temperature limits. A special blue-filter version blocking out unwanted light above 700 nm is available for dental curing applications. In addition, you get all the proven advantages of halogen technology such as a CRI of 100 – the same as natural sunlight for the best possible color rendering. Halogen lamps also create a comfortable warm white light, and they maintain their high lumen output with almost no lumen reduction throughout their lifetime.

## Product data

### • General Characteristics

Philips Code	13298
ANSI Code	-
J Code	-
LIF Code	-
Cap-Base	GZ4
Bulb	R35
Bulb Material	Quartz-UV Open
Reflector Finish	Smooth Dichroic
Filament Shape	-
Operating Position	s105
Main Application	Dental Hardening
Life to 50% failures	25 hr

### • Light Technical Characteristics

Color Rendering Index	100 Ra8
Color Temperature Technical	3400 K
Curing Power Area 400-500nm	330 mW/cm <sup>2</sup>

### • Electrical Characteristics

Watts	52 W
Voltage	10 V
Dimmable	Yes

### • Luminaire Design Requirements

Pinch Temperature	400 (max) C
Bulb Temperature	900 (max) C
Working Distance WD	26 mm

### • Product Dimensions

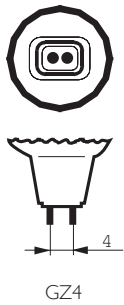
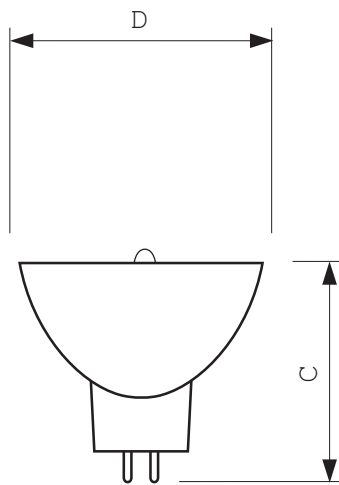
Overall Length C	37 (max) mm
Diameter D	35 (max) mm
Filament Dimensions (WxH) [mm]	-

### • Product Data

Product number	160945
Full product name	13298 52W GZ4 10V 1CT
Short product name	13298 52W GZ4 10V 1CT/10X5F
Pieces per Sku	1
eop_pck_cfg	10X5F
Skus/Case	50
Bar code on pack	8711500410214
Bar code on intermediate pack	8711500420435
Bar code on case	8711500420442
Logistics code(s)	924008915804
eop_net_weight_pp	12.200 gr

## Dimensional drawing

## Dimensional drawing



### 13298 52W GZ4 10V 1CT

Product	C (Max)	D (Max)	L (Min)	L (Norm)	L (Max)
13298 52W GZ4 10V	37	35	-	-	-



© 2013 Koninklijke Philips Electronics N.V.  
All rights reserved.

Specifications are subject to change without notice. Trademarks are the property of Koninklijke Philips Electronics N.V. or their respective owners.

[www.philips.com/lighting](http://www.philips.com/lighting)

2013, May 13  
data subject to change