

BD 10/10 M4 0,59kW

Series general data BD



THIS PRODUCT MEETS THE EFFICIENCY VALUES REQUIRED BY ErP 2013/2015

MANUFACTURING FEATURES:

- Galvanised steel sheet housing.
- Polyamide impeller reinforced with fiberglass in models 7/7, 9/9, 10/10 and 12/12. Galvanised steel sheet impeller in the rest of models.
- Double inlet forward curved impeller in all models except 25/13, with single inlet.
- Supplied with mounting feet (included in price) except cubic models, supported and reinforced by lateral plates.
- Motor fixing with an exclusive system designed by Casals through flexible arms and silent blocks that avoid any vibration. Flexible arms in compliance with the ROHS 2002/95/EC Directive (Restriction of the Use of Certain Hazardous Substances in Electrical and Electronic Equipments).
- Closed motors specially designed by Casals: extruded aluminium motor housing, wiring box fit in the motor with IP-65 protection. Motor with IP-55 protection and Class F insulation. Manufactured with standard voltages: 230V 50 Hz in single phase motors and 230/400V 50 Hz in three phase motors.
- Motors with controllable voltage speed except three phase motors only controlled by frequency.

APPLICATIONS:

- Designed for assembly in equipment:
- Ventilation boxes and air handling units.
 - Centrifugal heaters.
 - Industrial and professional kitchen hoods.
 - Maximum working temperature: 50°C.

UNDER REQUEST:

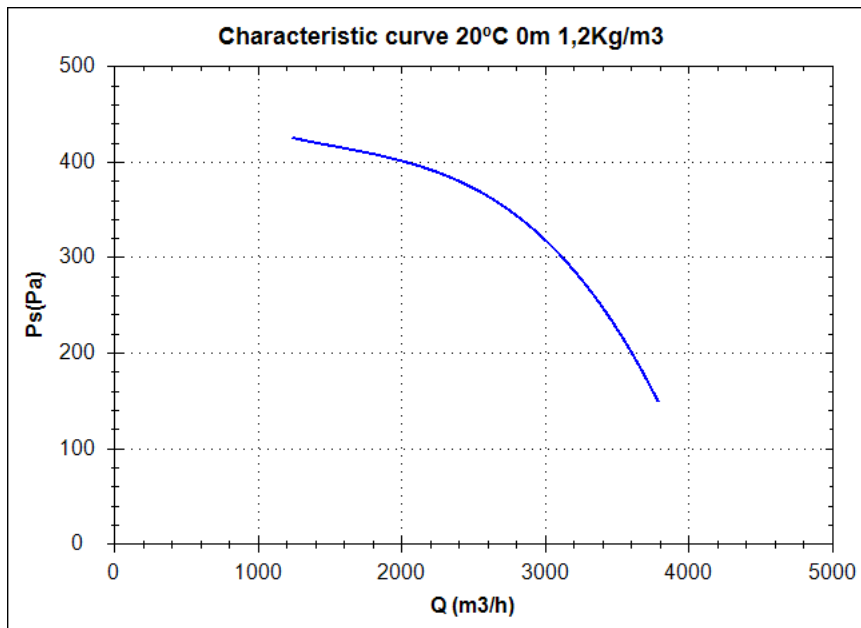
- 60Hz fans.
- Impeller made of galvanized steel sheet
- MBI assembly.

• In "Company/Technical Documents/Directiva ErP 2009/125/CE" you can consult the technical brochures of each model certifying that they meet ErP 2009/125/EC directive.

Series accessories BD



Characteristic curve



Design point

Q (m3/h)	
Ps(Pa)	

Service point

Impeller rpm	
Max. temp.(°C)	
Q (m3/h)	
Ps(Pa)	
Pd(Pa)	
Pt(Pa)	
Air speed(m/s)	

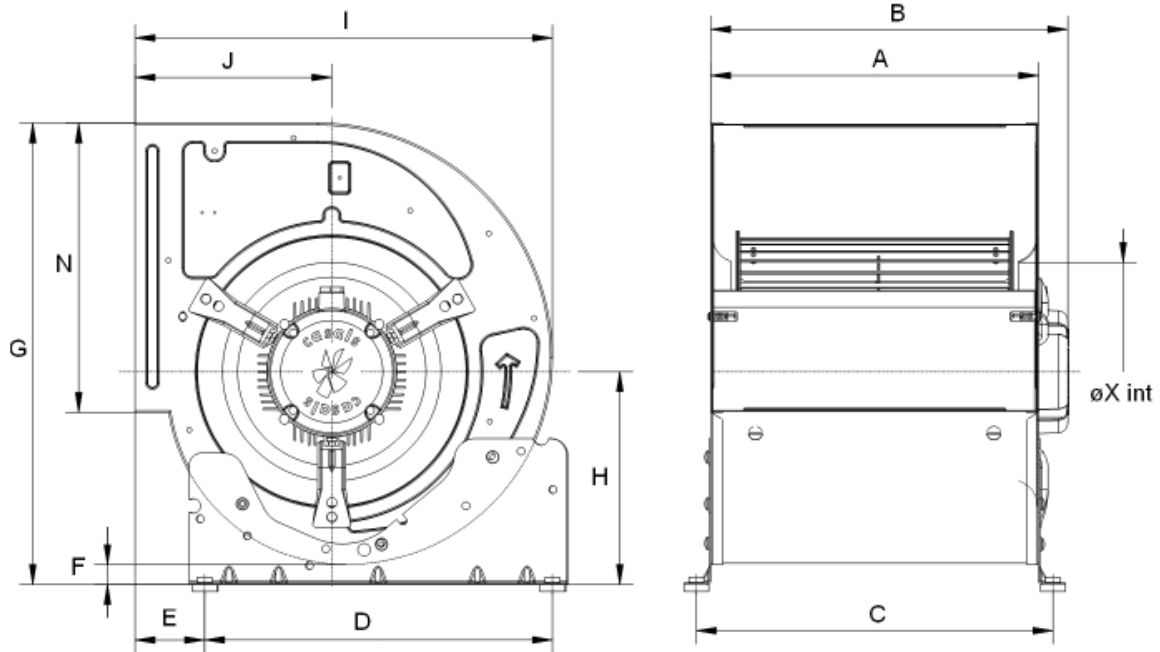
Technical data

Impeller rpm	1330
Motor rpm	
Approx. weight(kg)	22
Maximum flow rate(m3/h)	3785

Power(kW)	0,59
Imax 230V(A)	4,5
Imax 400V(A)	-
Imax 690V(A)	-

BD 10/10 M4 0,59kW

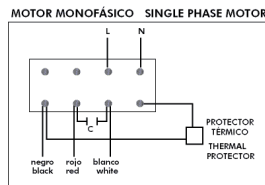
dimensions diagram



Dimensions (mm)

A=329	B máx=384	C=359	D=350	E=70,5	F=20	G=464	H=214	I=420	J=198	N=291	X=220
-------	-----------	-------	-------	--------	------	-------	-------	-------	-------	-------	-------

Wiring diagram



Compatibility chart BD-REG / Tabla de compatibilidad BD-REG

	REG 1.0A	REG 3A	REG 5A	REG 10A
BD 7/7 M4 0,12kW	1,5			
BD 7/7 M4 0,25kW	0,6			
BD 9/7 M4 0,25kW	2,7			
BD 9/7 M4 0,12kW	1,3			
BD 9/9 M4 0,25kW	2,7			
BD 9/9 M4 0,12kW	1,3			
BD 10/8 M4 0,25kW	4,5			
BD 10/8 M4 0,19kW	2			
BD 10/10 M4 0,25kW	4,5			
BD 10/10 M4 0,19kW	2			
BD 12/7 M4 0,27kW	6,2			
BD 12/12 M4 0,27kW	6,2			

Excessive motor current / Corriente motor excesiva
 Bad regulation / Mala regulación
 Good regulation / Buena regulación
 Optimum regulation / Óptima regulación