

# HMF 45 T4 0,75kW (A5, 6p)

## Series general data HMF A5



Long cased axial fan 400°C/2h

### MANUFACTURING FEATURES:

- Long cased axial fan with reinforced body.
- Modular motor-impeller assembly. Cast aluminium impeller with variable pitch angle. Epoxy powder finishing coat.
- Housing with motor access door.
- Standard asynchronous squirrel-cage motor with IP-55 protection and Class H insulation certified 400°C/2h. Manufactured with standard voltages: 230/400V 50Hz in three phase motors, up to 4kW and 400/690V 50Hz for higher powers.

### APPLICATIONS:

- Designed for inline installation, they are suitable for:
- Smoke emergency exhaust with motor inside the hazardous area.
  - Maximum working temperature: 60°C.

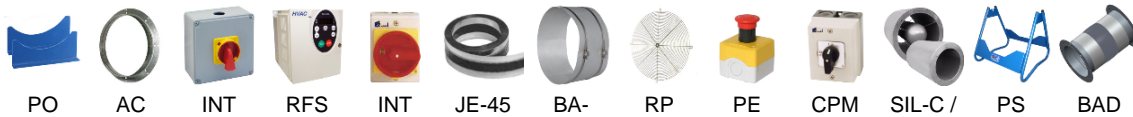
### UNDER REQUEST:

- Supply impeller (air direction from impeller to motor).
- 100% reversible impeller.

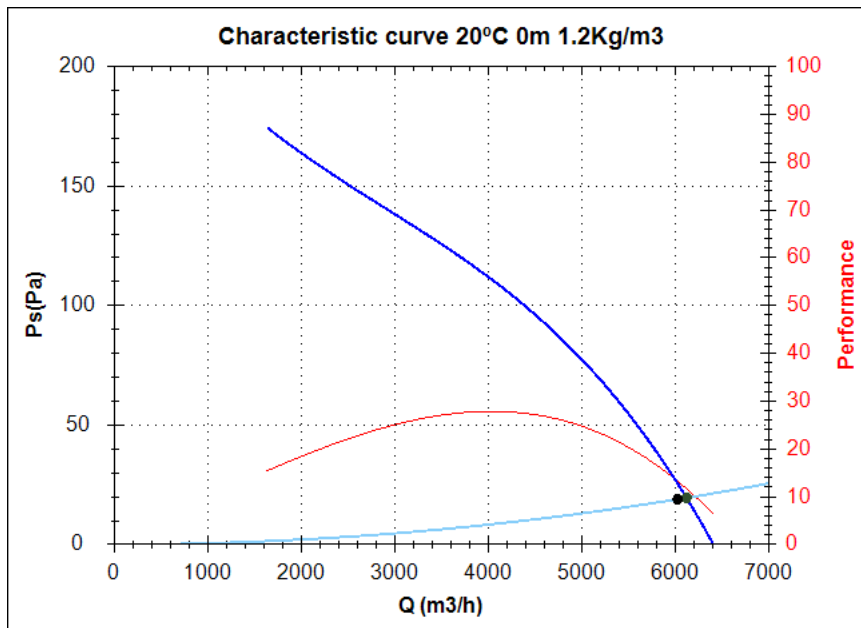
Official homologation by the European laboratory APPLUS according to EN 12101-3:2002, EN 12101-3:2002/AC:2005  
Certification Nr: 0370-CPD-0912

\* You can find the certificate in the menu: " company/technical data/400°C/2h CE".

## Series accessories HMF A5



## Characteristic curve



### Design point

Q (m3/h)	6028.96
Ps(Pa)	18.97

### Service point

Impeller rpm	1500/40°
Max. temp.(°C)	60
Q (m3/h)	6122.40
Ps(Pa)	19.56
Pd(Pa)	62.81
Pt(Pa)	82.38
Air speed(m/s)	10.23
Perf.(%)	11.70
Absorbed power(kW)	1.20 [1.20 Kg/m3]
Recom. Power(kW)	1.50
SWL dB(A)	77 (INLET)
SPL dB(A)	62 (INLET)
Distance(m)	1.5

## Technical data

Impeller rpm	1500/40°
Motor rpm	
Approx. weight(kg)	28 + motor

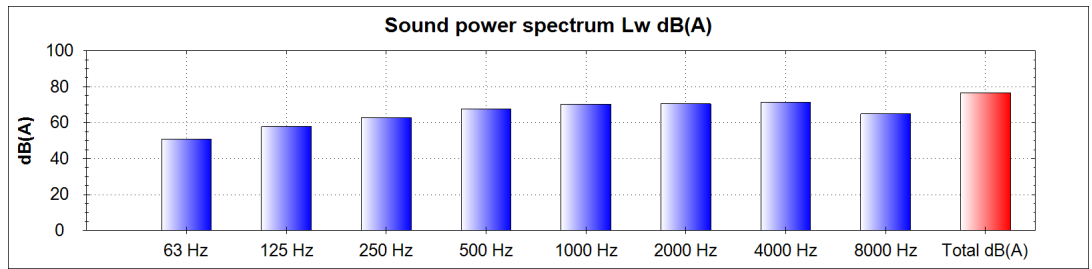
Power(kW)	
Imax 230V(A)	
Imax 400V(A)	
Imax 690V(A)	

# HMF 45 T4 0,75kW (A5, 6p)

## Acoustics to the service point (INLET)

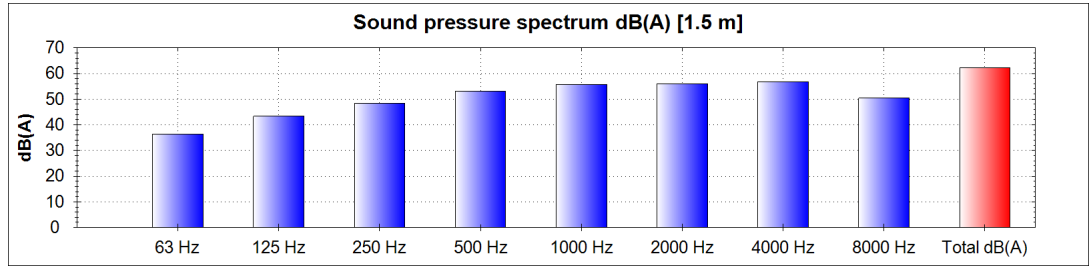
### Power dB(A)

63 Hz	51
125 Hz	58
250 Hz	63
500 Hz	68
1000 Hz	70
2000 Hz	70
4000 Hz	71
8000 Hz	65
Total dB(A)	77

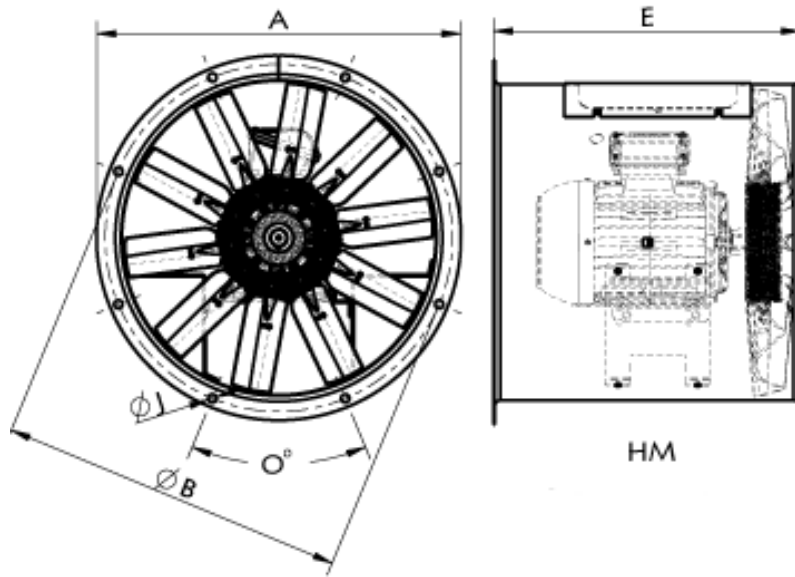


### Pressure dB(A) [1.5 m]

63 Hz	36
125 Hz	43
250 Hz	48
500 Hz	53
1000 Hz	56
2000 Hz	56
4000 Hz	57
8000 Hz	50
Total dB(A)	62



## dimensions diagram



### Dimensions (mm)

E=455	O=8x45°	ØA=525	ØB=500	ØDint=452	ØJ=12
-------	---------	--------	--------	-----------	-------

## Wiring diagram

