

HMF 50 T4 0,75kW (A5, 6p)

Series general data HMF A5



Long cased axial fan 400°C/2h

MANUFACTURING FEATURES:

- Long cased axial fan with reinforced body.
- Modular motor-impeller assembly. Cast aluminium impeller with variable pitch angle. Epoxy powder finishing coat.
- Housing with motor access door.
- Standard asynchronous squirrel-cage motor with IP-55 protection and Class H insulation certified 400°C/2h. Manufactured with standard voltages: 230/400V 50Hz in three phase motors, up to 4kW and 400/690V 50Hz for higher powers.

APPLICATIONS:

- Designed for inline installation, they are suitable for:
- Smoke emergency exhaust with motor inside the hazardous area.
 - Maximum working temperature: 60°C.

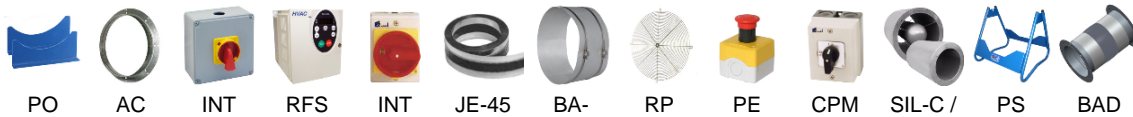
UNDER REQUEST:

- Supply impeller (air direction from impeller to motor).
- 100% reversible impeller.

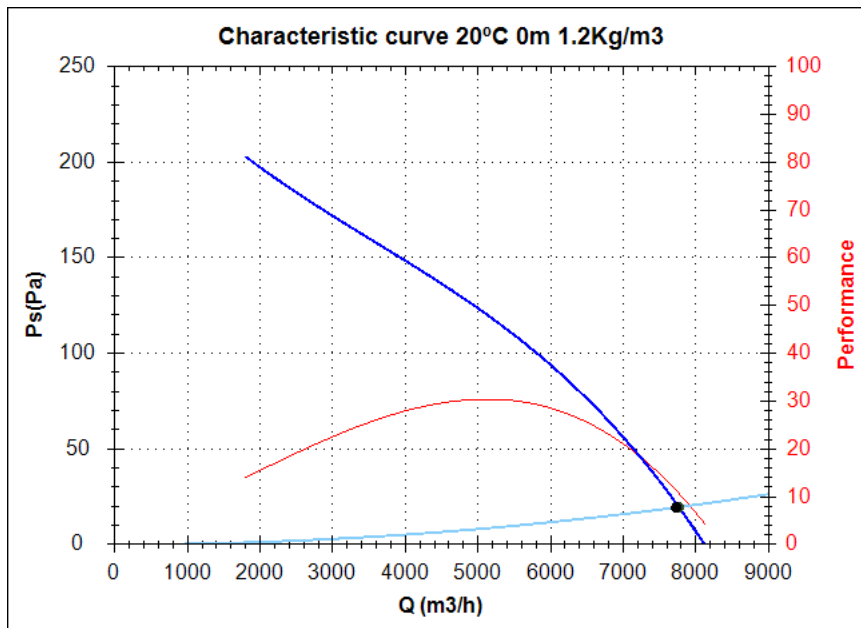
Official homologation by the European laboratory APPLUS according to EN 12101-3:2002, EN 12101-3:2002/AC:2005
Certification Nr: 0370-CPD-0912

* You can find the certificate in the menu: " company/technical data/400°C/2h CE".

Series accessories HMF A5



Characteristic curve



Design point

Q (m3/h)	7730.67
Ps(Pa)	19.43

Service point

Impeller rpm	1500/40°
Max. temp.(°C)	60
Q (m3/h)	7767.63
Ps(Pa)	19.61
Pd(Pa)	64.36
Pt(Pa)	83.97
Air speed(m/s)	10.36
Perf.(%)	10.72
Absorbed power(kW)	1.69 [1.20 Kg/m3]
Recom. Power(kW)	2.20
SWL dB(A)	78 (INLET)
SPL dB(A)	64 (INLET)
Distance(m)	1.5

Technical data

Impeller rpm	1500/40°
Motor rpm	
Approx. weight(kg)	38 + motor

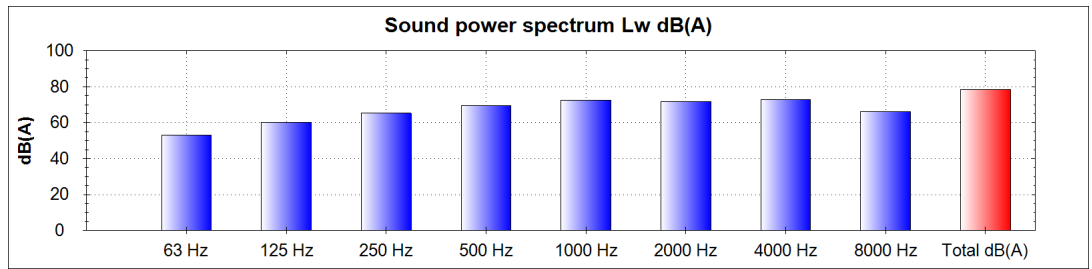
Power(kW)	
Imax 230V(A)	
Imax 400V(A)	
Imax 690V(A)	

HMF 50 T4 0,75kW (A5, 6p)

Acoustics to the service point (INLET)

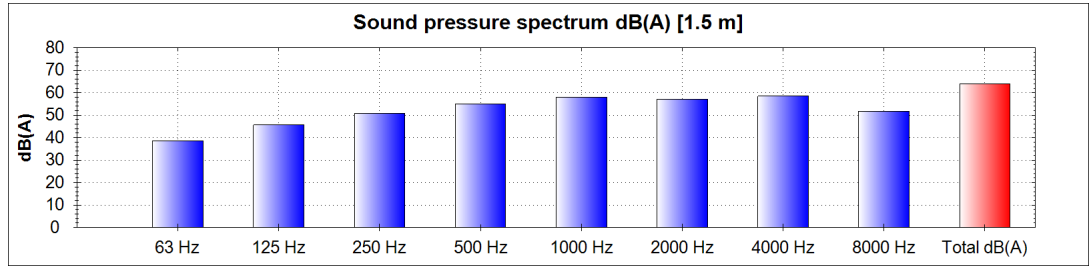
Power dB(A)

63 Hz	53
125 Hz	60
250 Hz	65
500 Hz	69
1000 Hz	73
2000 Hz	72
4000 Hz	73
8000 Hz	66
Total dB(A)	78

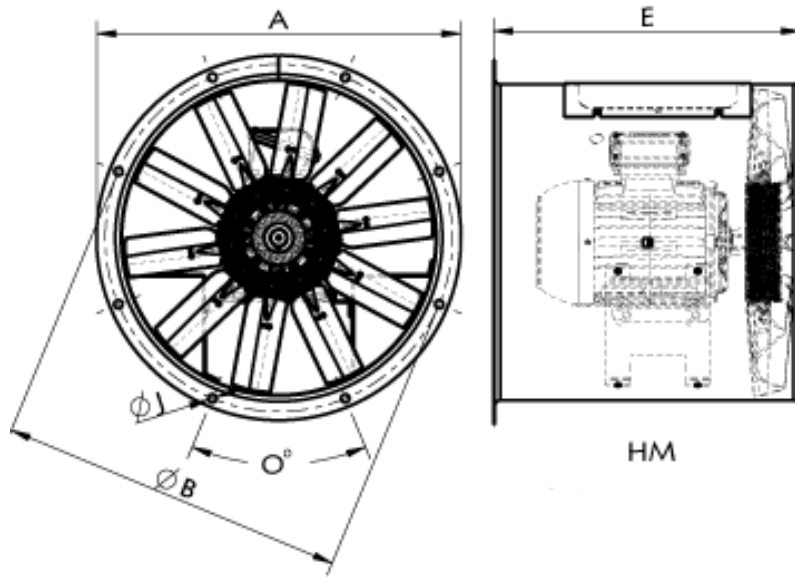


Pressure dB(A) [1.5 m]

63 Hz	39
125 Hz	46
250 Hz	51
500 Hz	55
1000 Hz	58
2000 Hz	57
4000 Hz	58
8000 Hz	52
Total dB(A)	64



dimensions diagram



Dimensions (mm)

E=440	O=12x30°	ØA=600	ØB=560	ØDint=504	ØJ=12
-------	----------	--------	--------	-----------	-------

Wiring diagram

