

AA 53 T2 2,2kW

Series general data AA47-70



MANUFACTURING FEATURES:

- Rolling steel sheet housing.
- Fully welded housing.
- High efficiency single inlet backWard curved impeller manufactured in cast aluminium.
- Epoxy powder finishing coat.
- Standard asynchronous squirrel-cage motor with IP-55 protection and class F insulation. Standard voltages 230/400V 50Hz, motors up to 4kW and 400/690V 50Hz for higher powers.

APPLICATIONS:

- Designed for inline installation, they are suitable for:
- Industrial applications, extraction or injection of air.
 - Cooling of machines and parts.
 - Clean air transport.
 - Exhaust after filters, separators and cyclones.
 - Pneumatic transport.
 - Maximum working temperature: carried air: 130°C, ambient 60°C.

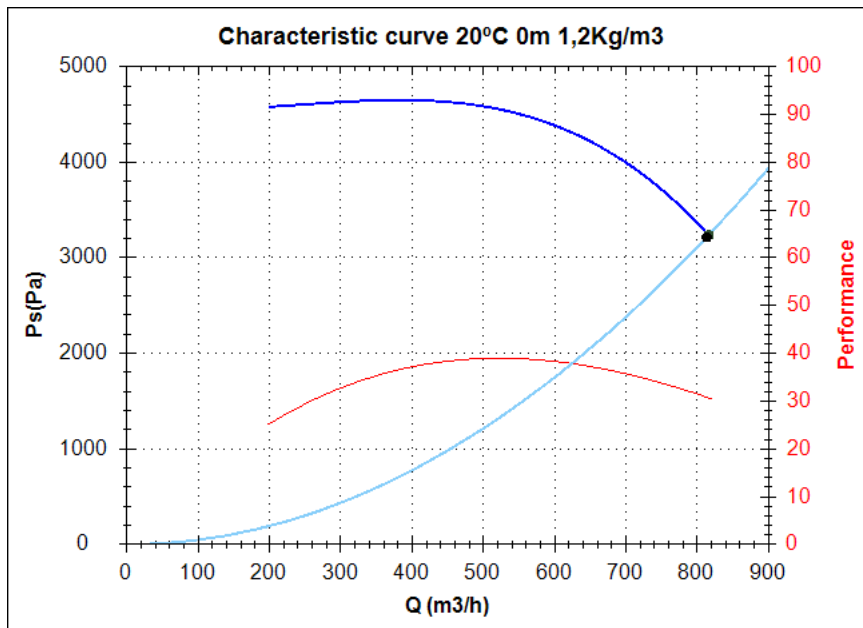
UNDER REQUEST:

- 60Hz fans and special voltages.
- 2 speed motors.
- Flame proof or explosion proof ATEX certified motors.

Series accessories AA47-70



Characteristic curve



Design point

Q (m3/h)	813,49
Ps(Pa)	3215,79

Service point

Impeller rpm	2800
Max. temp.(°C)	130
Q (m3/h)	816,22
Ps(Pa)	3237,43
Pd(Pa)	204,75
Pt(Pa)	3442,18
Air speed(m/s)	18,48
Perf.(%)	30,70
SWL dB(A)	93 (INLET)
SPL dB(A)	78 (INLET)
Distance(m)	1,5

Technical data

Impeller rpm	2800
Motor rpm	2800
Approx. weight(kg)	67
Maximum flow rate(m3/h)	820

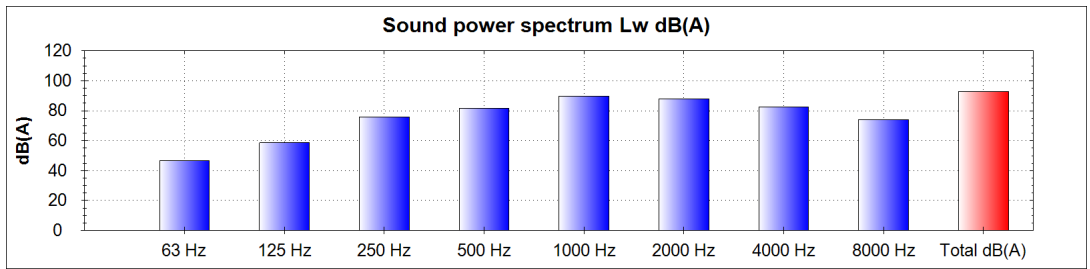
Power(kW)	2,2
Imax 230V(A)	8,61
Imax 400V(A)	4,98
Imax 690V(A)	-

AA 53 T2 2,2kW

Acoustics to the service point (INLET)

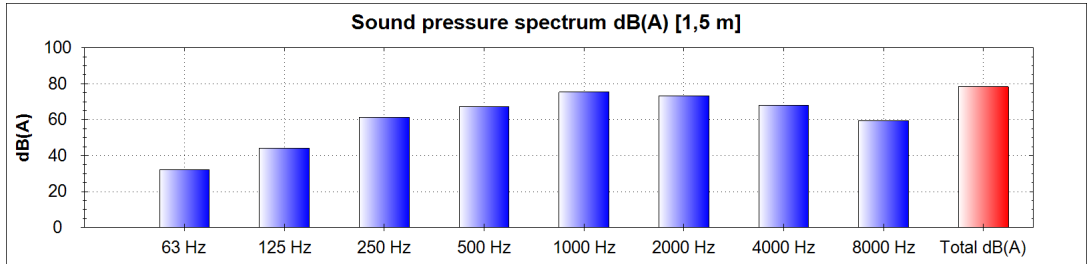
Power dB(A)

63 Hz	47
125 Hz	59
250 Hz	76
500 Hz	82
1000 Hz	90
2000 Hz	88
4000 Hz	82
8000 Hz	74
Total dB(A)	93

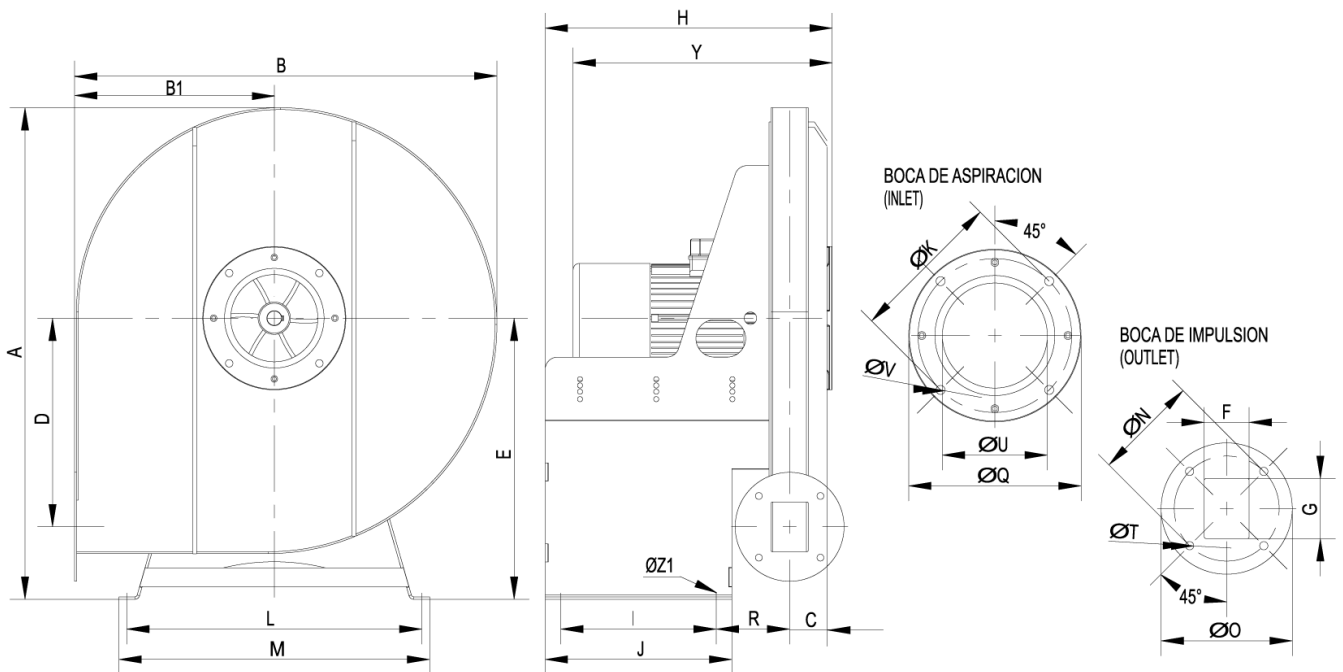


Pressure dB(A) [1,5 m]

63 Hz	32
125 Hz	44
250 Hz	61
500 Hz	67
1000 Hz	75
2000 Hz	73
4000 Hz	68
8000 Hz	60
Total dB(A)	78



dimensions diagram



Dimensions (mm)

A=698	B=609	B1	C=70	D=300	E=395	F=60	G=70	H=392	I=185	J=235	KØ=190
L=410	M=435	NØ=132	OØ=168	QØ=215	R=112	TØ=11	UØ=125	VØ=12	Y=422	Z1=11	

Wiring diagram

