

MAX 27 T2 0,55kW

Series general data MAX



MANUFACTURING FEATURES

- Rolling steel sheet housing.
- Cast aluminium impeller.
- Epoxy powder finishing coat.
- Standard asynchronous squirrel-cage motor with IP-55 protection and Class F insulation and ATEX certified EEx-d. Manufactured with standard voltages: 230/400V 50Hz in three phase motors.

APPLICATIONS

- Designed for inline installation, they are suitable for:
- General ventilation in closed environments classified as ATEX zone 2.
 - Maximum working temperature: carried air -20°C; environment: 80°C.

UNDER REQUEST

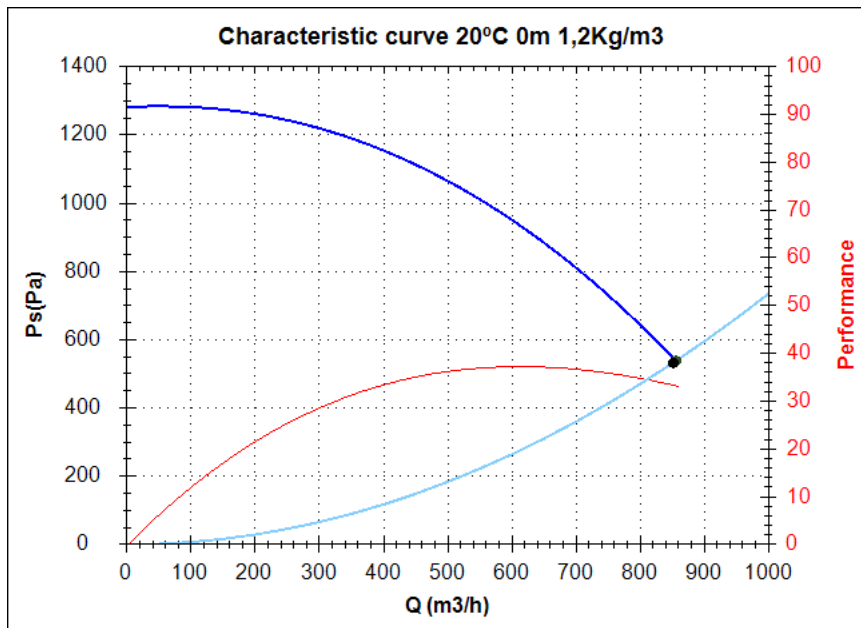
- 60Hz fans and special voltages.
- ATEX for different categories.

In compliance with the 94/9/CE Directive. ATEX II2G built. Certified II3G with certified ATEX EEx-d II2G motor for areas 2 (gas) or 22 (dust).

Series accessories MAX



Characteristic curve



Design point

Q (m3/h)	851,43
Ps(Pa)	532,57

Service point

Impeller rpm	2800
Max. temp.(°C)	130
Q (m3/h)	855,98
Ps(Pa)	538,28
Pd(Pa)	225,18
Pt(Pa)	763,46
Air speed(m/s)	19,38
Perf.(%)	33,22
SWL dB(A)	92 (INLET)
SPL dB(A)	78 (INLET)
Distance(m)	1,5

Technical data

Impeller rpm	2800
Motor rpm	1
Approx. weight(kg)	14
Maximum flow rate(m3/h)	860

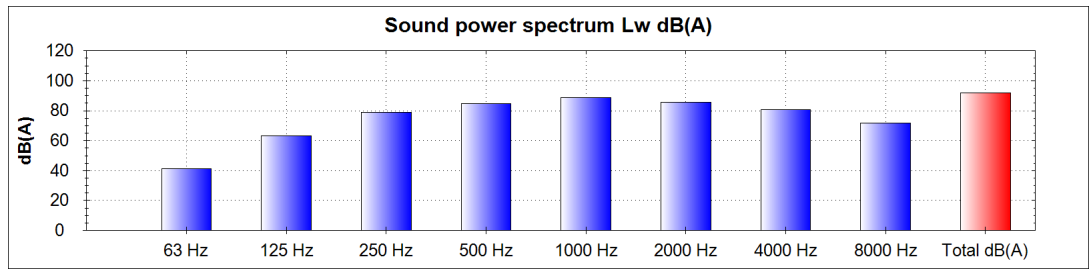
Power(kW)	0,55
Imax 230V(A)	2,33
Imax 400V(A)	1,35
Imax 690V(A)	-

MAX 27 T2 0,55kW

Acoustics to the service point (INLET)

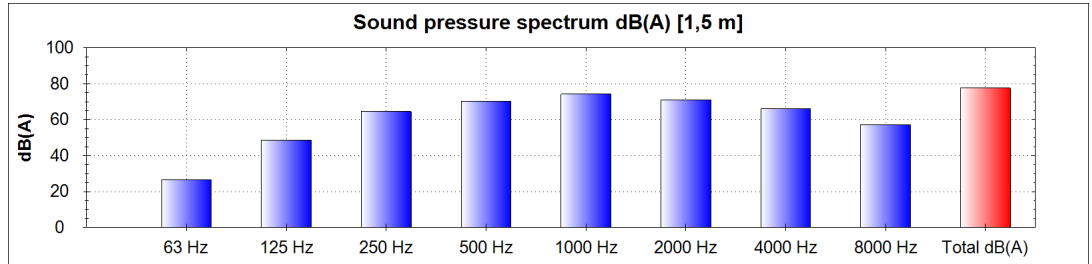
Power dB(A)

63 Hz	41
125 Hz	63
250 Hz	79
500 Hz	85
1000 Hz	89
2000 Hz	86
4000 Hz	81
8000 Hz	72
Total dB(A)	92

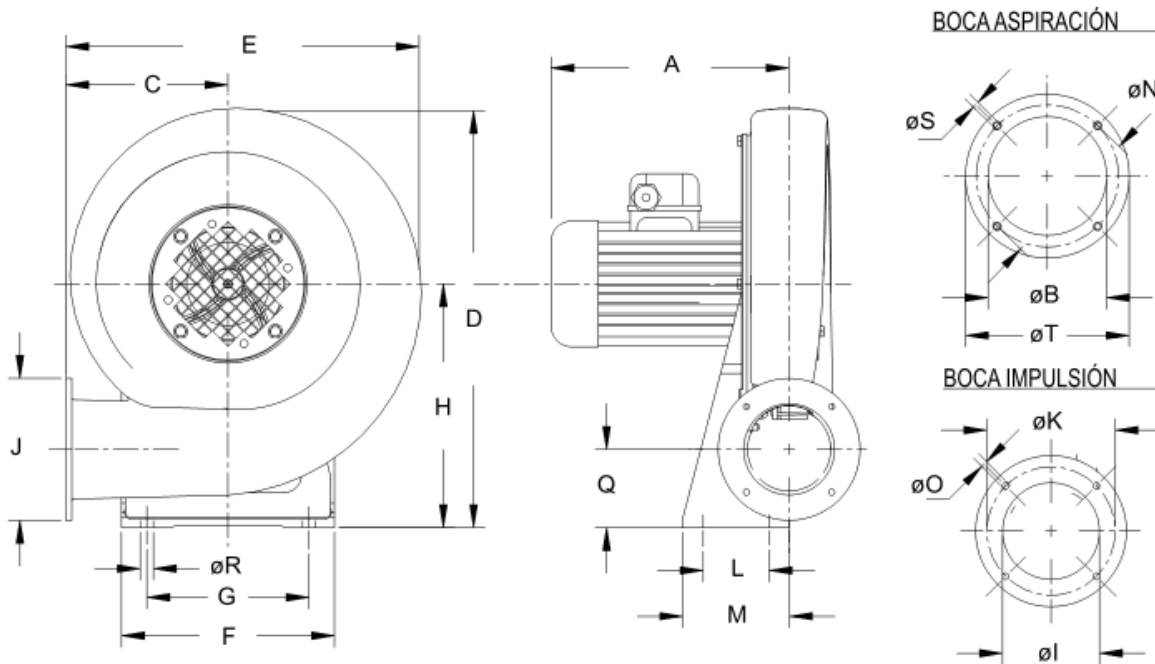


Pressure dB(A) [1,5 m]

63 Hz	27
125 Hz	49
250 Hz	65
500 Hz	70
1000 Hz	74
2000 Hz	71
4000 Hz	66
8000 Hz	57
Total dB(A)	78



dimensions diagram



Dimensions (mm)

A=250	BØ=125	C=168	D=440	D1=431	D2=428	D3=552	D4=505	D5=470	D6=460	E=368	F=220
G=170	H=260	IØ=100	J=155	KØ=129	L=80	M=120	NØ=147	OØ=6,2	P=26	Q=90	RØ=13
SØ=6	TØ=165	U=482	V=425	W=381	X=168	Y=482	Z=425				

Wiring diagram

