

MAX 28 T2 1,1kW

Series general data MAX



MANUFACTURING FEATURES

- Rolling steel sheet housing.
- Cast aluminium impeller.
- Epoxy powder finishing coat.
- Standard asynchronous squirrel-cage motor with IP-55 protection and Class F insulation and ATEX certified EEx-d. Manufactured with standard voltages: 230/400V 50Hz in three phase motors.

APPLICATIONS

- Designed for inline installation, they are suitable for:
- General ventilation in closed environments classified as ATEX zone 2.
 - Maximum working temperature: carried air -20°C; environment: 80°C.

UNDER REQUEST

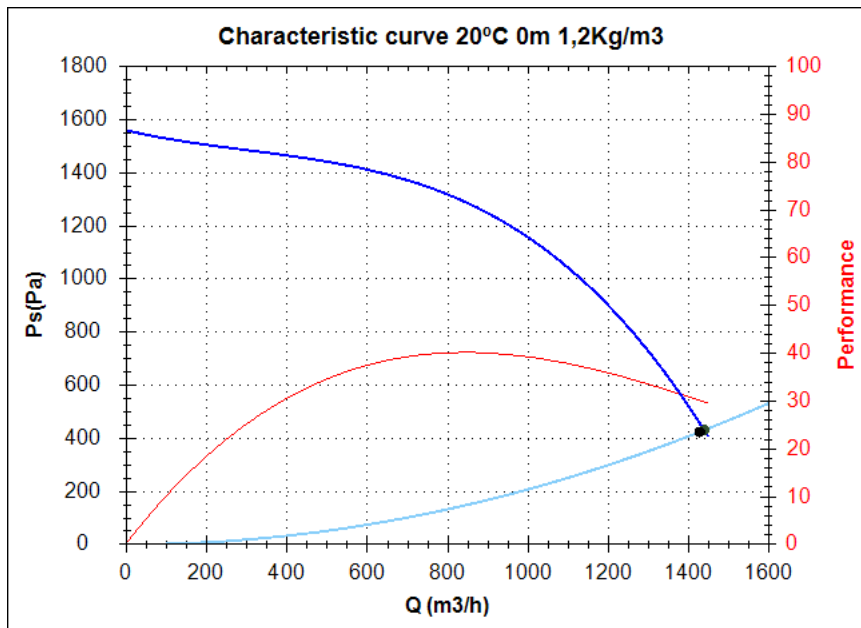
- 60Hz fans and special voltages.
- ATEX for different categories.

In compliance with the 94/9/CE Directive. ATEX II2G built. Certified II3G with certified ATEX EEx-d II2G motor for areas 2 (gas) or 22 (dust).

Series accessories MAX



Characteristic curve



Design point

Q (m ³ /h)	1428,84
Ps(Pa)	424,21

Service point

Impeller rpm	2800
Max. temp.(°C)	130
Q (m ³ /h)	1440,14
Ps(Pa)	430,94
Pd(Pa)	637,39
Pt(Pa)	1068,34
Air speed(m/s)	32,60
Perf.(%)	29,80
SWL dB(A)	95 (INLET)
SPL dB(A)	80 (INLET)
Distance(m)	1,5

Technical data

Impeller rpm	2800
Motor rpm	1
Approx. weight(kg)	20
Maximum flow rate(m ³ /h)	1450

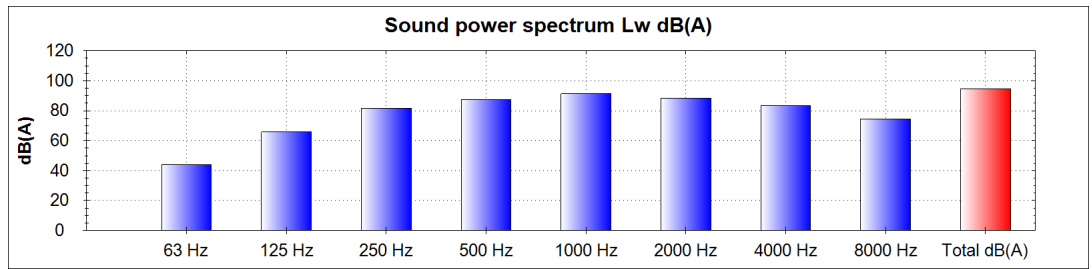
Power(kW)	1,1
Imax 230V(A)	4,42
Imax 400V(A)	2,55
Imax 690V(A)	-

MAX 28 T2 1,1kW

Acoustics to the service point (INLET)

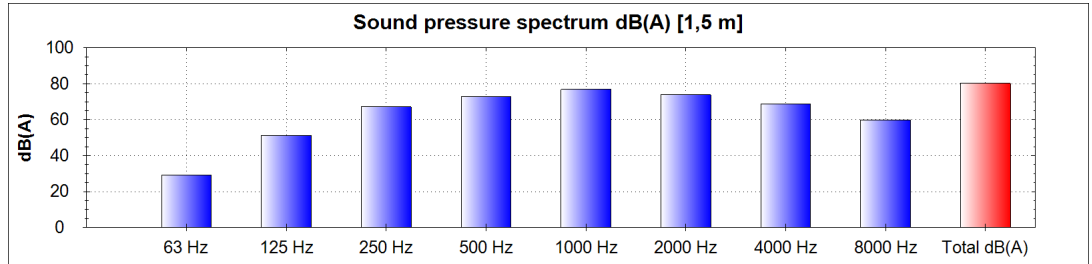
Power dB(A)

63 Hz	44
125 Hz	66
250 Hz	82
500 Hz	87
1000 Hz	91
2000 Hz	88
4000 Hz	83
8000 Hz	74
Total dB(A)	95

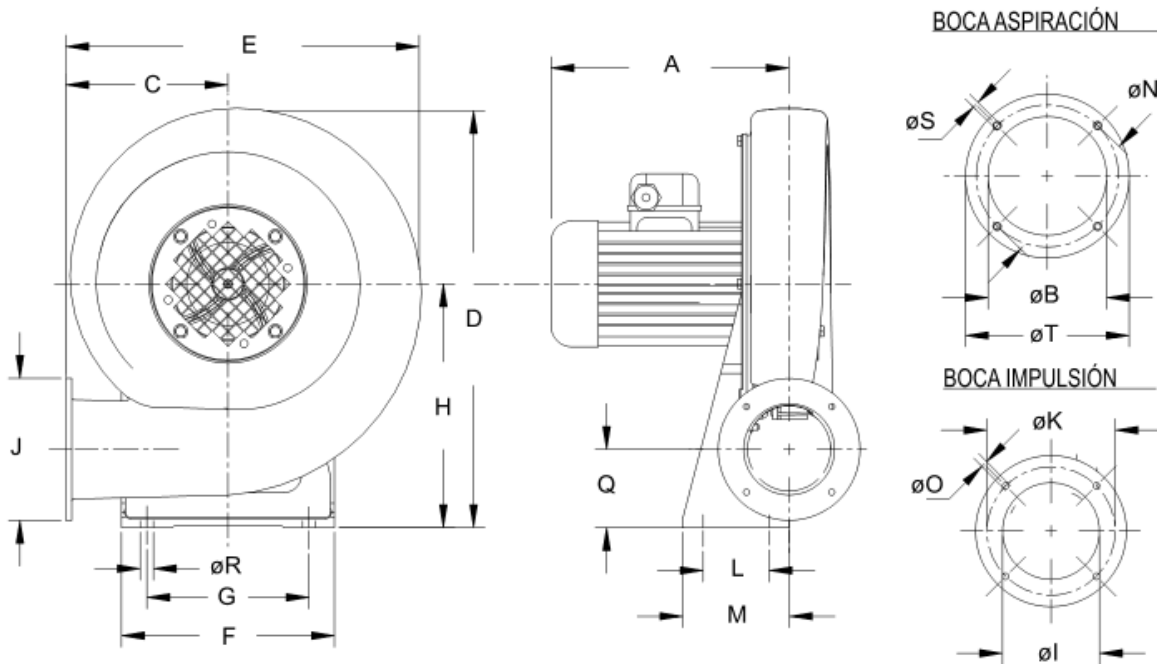


Pressure dB(A) [1,5 m]

63 Hz	29
125 Hz	51
250 Hz	67
500 Hz	73
1000 Hz	77
2000 Hz	74
4000 Hz	69
8000 Hz	60
Total dB(A)	80



dimensions diagram



Dimensions (mm)

A=275	BØ=125	C=168	D=440	D1=470	D2=468	D3=605	D4=558	D5=516	D6=505	E=393	F=230
G=166	H=290	IØ=130	J=182	KØ=160	L=100	M=140	NØ=162	OØ=10,2	P=20	Q=113	RØ=13
SØ=6	TØ=187	U=518	V=460	W=406	X=393	Y=518	Z=460				

Wiring diagram

