

MAX 31 T2 2,2kW

Series general data MAX



MANUFACTURING FEATURES

- Rolling steel sheet housing.
- Cast aluminium impeller.
- Epoxy powder finishing coat.
- Standard asynchronous squirrel-cage motor with IP-55 protection and Class F insulation and ATEX certified EEx-d. Manufactured with standard voltages: 230/400V 50Hz in three phase motors.

APPLICATIONS

- Designed for inline installation, they are suitable for:
- General ventilation in closed environments classified as ATEX zone 2.
 - Maximum working temperature: carried air -20°C; environment: 80°C.

UNDER REQUEST

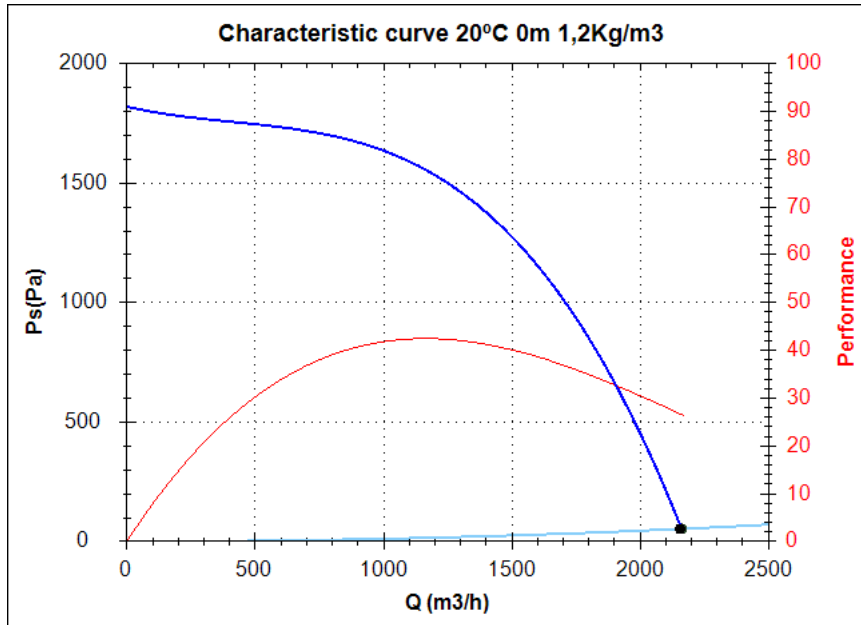
- 60Hz fans and special voltages.
- ATEX for different categories.

In compliance with the 94/9/CE Directive. ATEX II2G built. Certified II3G with certified ATEX EEx-d II2G motor for areas 2 (gas) or 22 (dust).

Series accessories MAX



Characteristic curve



Design point

Q (m3/h)	2155,7
Ps(Pa)	52,73

Service point

Impeller rpm	2800
Max. temp.(°C)	130
Q (m3/h)	2162,14
Ps(Pa)	53,04
Pd(Pa)	535,21
Pt(Pa)	588,26
Air speed(m/s)	29,87
Perf.(%)	26,56
SWL dB(A)	98 (INLET)
SPL dB(A)	83 (INLET)
Distance(m)	1,5

Technical data

Impeller rpm	2800
Motor rpm	1
Approx. weight(kg)	30
Maximum flow rate(m3/h)	2170

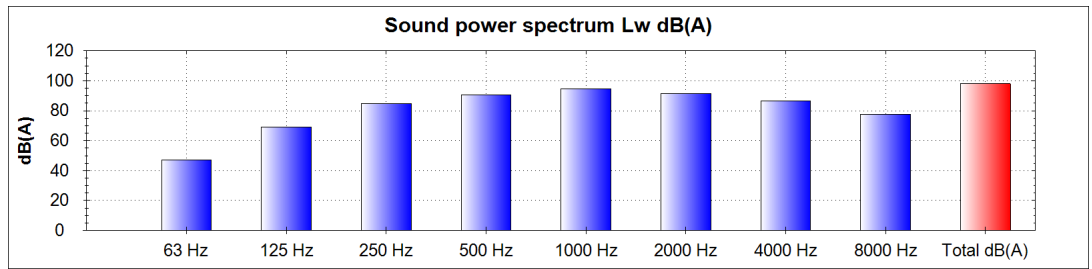
Power(kW)	2,2
Imax 230V(A)	8,61
Imax 400V(A)	4,98
Imax 690V(A)	-

MAX 31 T2 2,2kW

Acoustics to the service point (INLET)

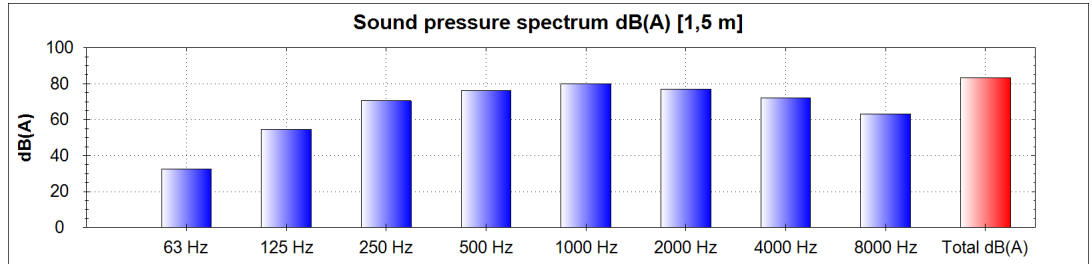
Power dB(A)

63 Hz	47
125 Hz	69
250 Hz	85
500 Hz	91
1000 Hz	95
2000 Hz	92
4000 Hz	87
8000 Hz	78
Total dB(A)	98

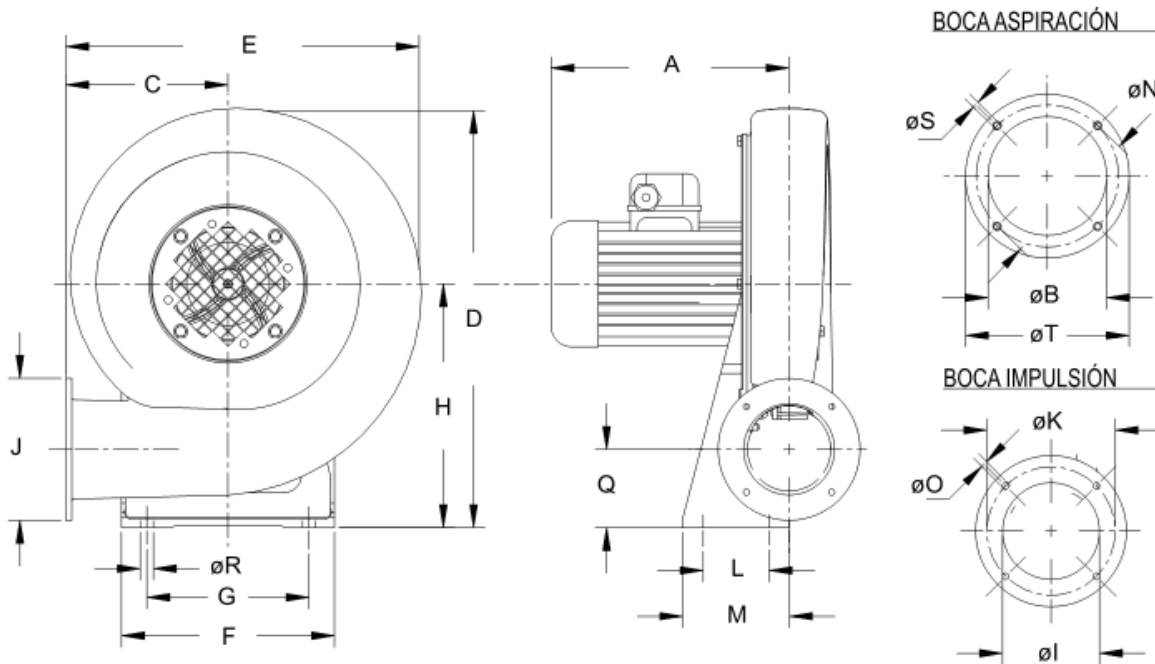


Pressure dB(A) [1,5 m]

63 Hz	33
125 Hz	55
250 Hz	70
500 Hz	76
1000 Hz	80
2000 Hz	77
4000 Hz	72
8000 Hz	63
Total dB(A)	83



dimensions diagram



Dimensions (mm)

A=320	BØ=160	C=193	D=530	D1=518	D2=513	D3=668	D4=620	D5=568	D6=555	E=428	F=240
G=190	H=320	IØ=140	J=200	KØ=175	L=120	M=160	NØ=180	OØ=10,2	P=18,5	Q=120	RØ=13
SØ=6	TØ=215	U=570	V=510	W=445	X=428	Y=570	Z=510				

Wiring diagram

