

MBX 20/8 T2 1,1kW

Series general data MBX



MANUFACTURING FEATURES

- Rolling steel sheet housing.
 - Completely joined or welded housing.
 - Single inlet forward curved impeller made of aluminium sheet.
 - Epoxy powder finishing coat.
 - Inlet sparkproof ring made of copper or aluminium.
 - Standard asynchronous squirrel-cage motor with IP-55 protection and Class F insulation. ATEX certified EEx-d.
- Manufactured with standard voltages: 230V 50Hz in single phase motors and 230/400V 50Hz in three phase motors up to 4kW, and 400/690V 50Hz for higher powers.

APPLICATIONS

- Designed for inline installation, they are suitable for:
- General ventilation in closed environments classified as ATEX zone 2 or 22.
 - Maximum air working temperature from -20°C to 80°C.

UNDER REQUEST

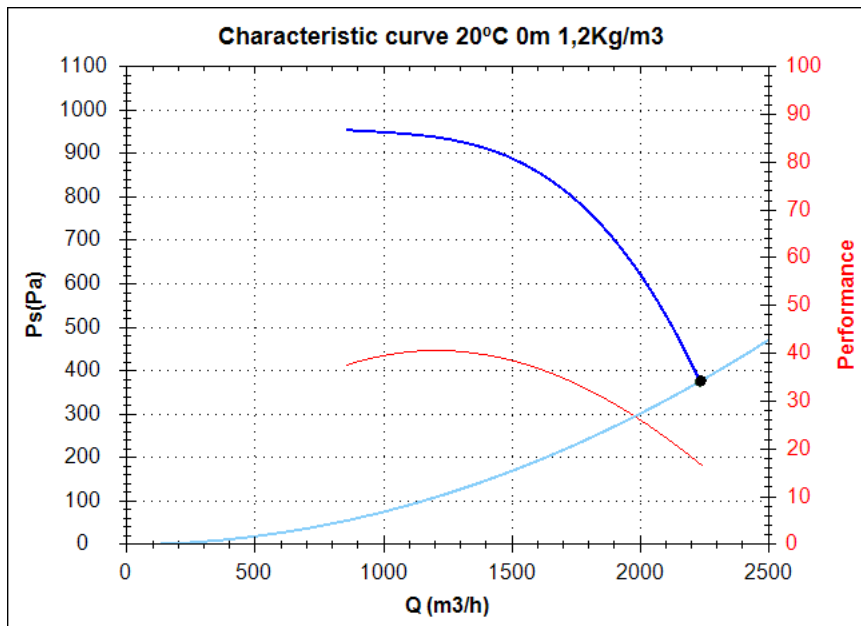
- 60Hz fans and special voltages.
- Special ATEX executions.

In compliance with the 94/9/CE Directive. ATEX II2G built. Certified II3G with certified ATEX EEx-d II2G motor for areas 2 (gas) or 22 (dust).

Series accessories MBX



Characteristic curve



Design point

Q (m ³ /h)	2237,09
Ps(Pa)	376,81

Service point

Impeller rpm	2800
Max. temp.(°C)	130
Q (m ³ /h)	2233,08
Ps(Pa)	375,46
Pd(Pa)	556,86
Pt(Pa)	932,32
Air speed(m/s)	30,47
Perf.(%)	16,88
SWL dB(A)	92 (INLET)
SPL dB(A)	77 (INLET)
Distance(m)	1,5

Technical data

Impeller rpm	2800
Motor rpm	2800
Approx. weight(kg)	19
Maximum flow rate(m ³ /h)	2240

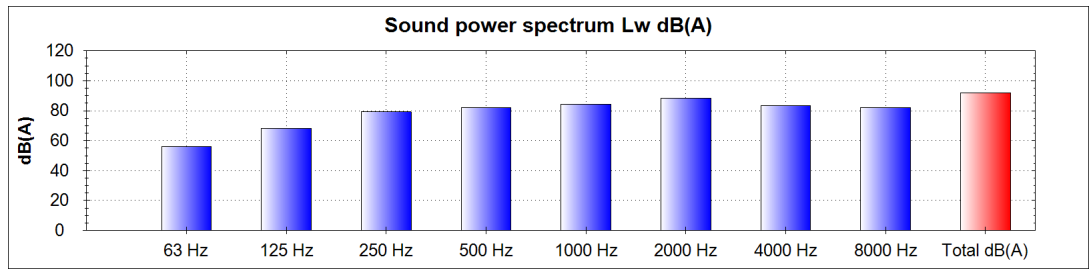
Power(kW)	1,1
Imax 230V(A)	4,42
Imax 400V(A)	2,55
Imax 690V(A)	-

MBX 20/8 T2 1,1kW

Acoustics to the service point (INLET)

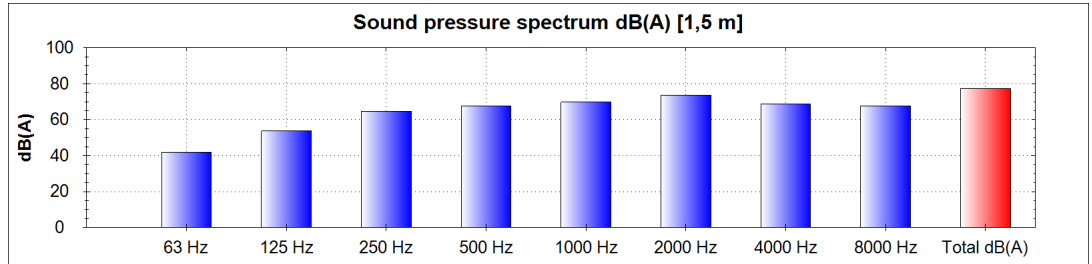
Power dB(A)

63 Hz	56
125 Hz	68
250 Hz	79
500 Hz	82
1000 Hz	84
2000 Hz	88
4000 Hz	83
8000 Hz	82
Total dB(A)	92

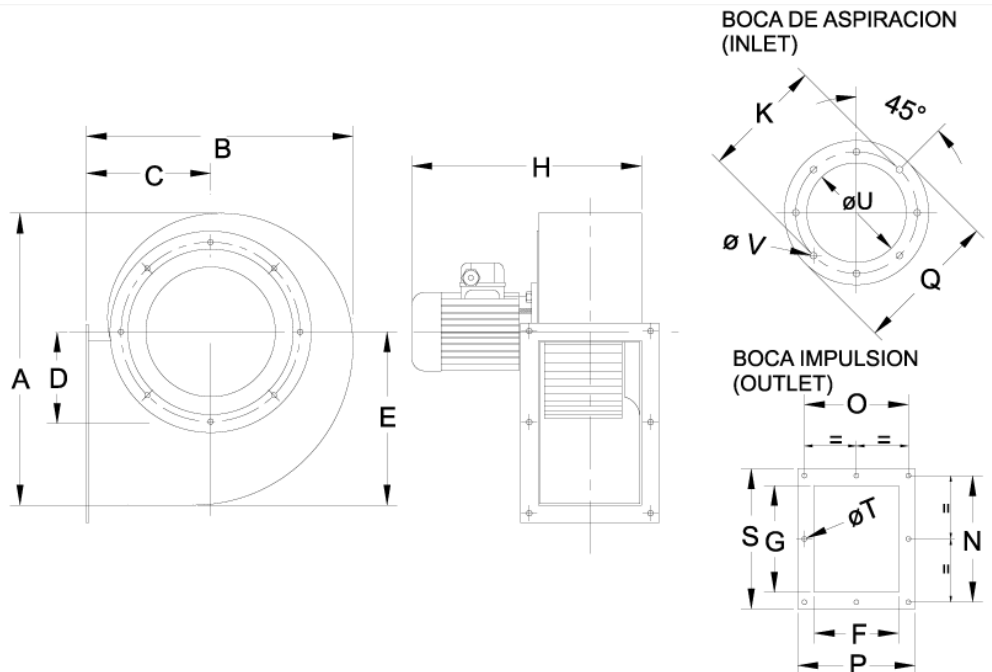


Pressure dB(A) [1,5 m]

63 Hz	42
125 Hz	54
250 Hz	65
500 Hz	68
1000 Hz	70
2000 Hz	74
4000 Hz	69
8000 Hz	68
Total dB(A)	77



dimensions diagram



Dimensions (mm)

A=375	B=321	C=138	D=136	E=222	F=130	G=160	H=380	K=230	N=189	O=160	P=184
Q=255	S=213	T∅=9	U∅=161	V∅=9							

Wiring diagram

