

# MBX 22/9 T2 1,1kW

## Series general data MBX



### MANUFACTURING FEATURES

- Rolling steel sheet housing.
  - Completely joined or welded housing.
  - Single inlet forward curved impeller made of aluminium sheet.
  - Epoxy powder finishing coat.
  - Inlet sparkproof ring made of copper or aluminium.
  - Standard asynchronous squirrel-cage motor with IP-55 protection and Class F insulation. ATEX certified EEx-d.
- Manufactured with standard voltages: 230V 50Hz in single phase motors and 230/400V 50Hz in three phase motors up to 4kW, and 400/690V 50Hz for higher powers.

### APPLICATIONS

- Designed for inline installation, they are suitable for:
- General ventilation in closed environments classified as ATEX zone 2 or 22.
  - Maximum air working temperature from -20°C to 80°C.

### UNDER REQUEST

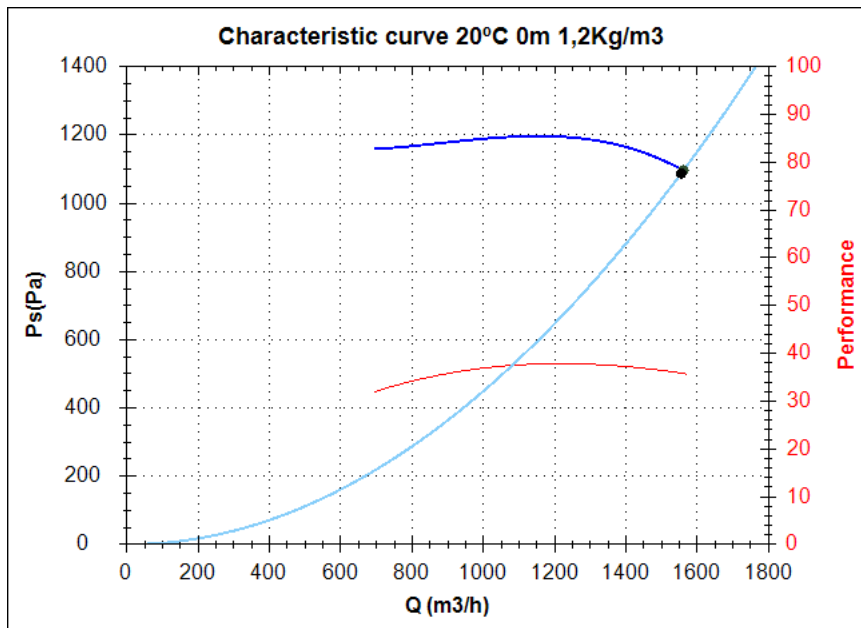
- 60Hz fans and special voltages.
- Special ATEX executions.

In compliance with the 94/9/CE Directive. ATEX II2G built. Certified II3G with certified ATEX EEx-d II2G motor for areas 2 (gas) or 22 (dust).

## Series accessories MBX



## Characteristic curve



### Design point

Q (m <sup>3</sup> /h)	1555,36
Ps(Pa)	1087,46

### Service point

Impeller rpm	2800
Max. temp.(°C)	200
Q (m <sup>3</sup> /h)	1561,62
Ps(Pa)	1096,23
Pd(Pa)	174,30
Pt(Pa)	1270,53
Air speed(m/s)	17,05
Perf.(%)	35,81
SWL dB(A)	81 (INLET)
SPL dB(A)	66 (INLET)
Distance(m)	1,5

## Technical data

Impeller rpm	2800
Motor rpm	2800
Approx. weight(kg)	24
Maximum flow rate(m <sup>3</sup> /h)	1570

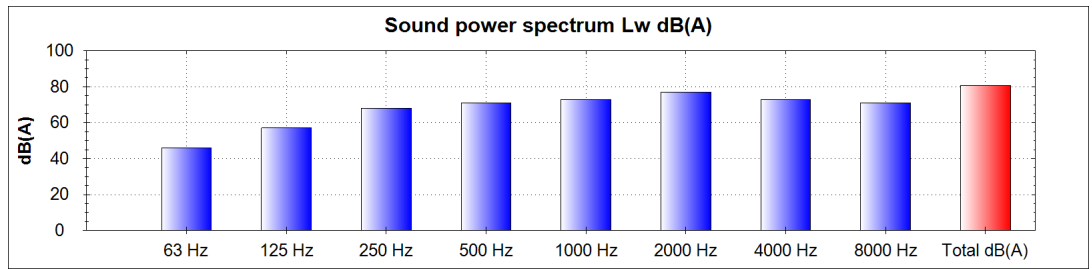
Power(kW)	1,1
Imax 230V(A)	4,42
Imax 400V(A)	2,55
Imax 690V(A)	-

# MBX 22/9 T2 1,1kW

## Acoustics to the service point (INLET)

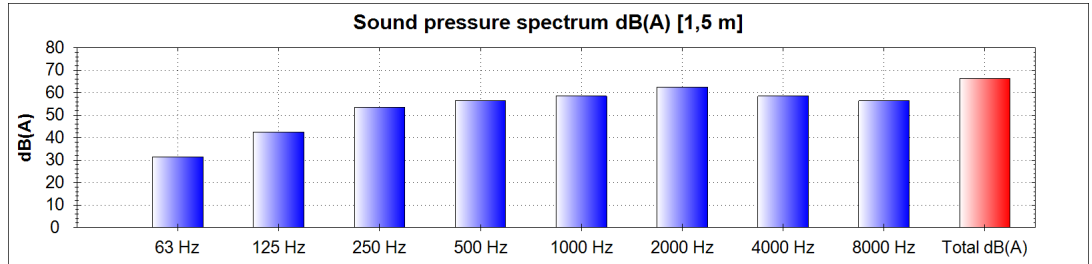
### Power dB(A)

63 Hz	46
125 Hz	57
250 Hz	68
500 Hz	71
1000 Hz	73
2000 Hz	77
4000 Hz	73
8000 Hz	71
Total dB(A)	81

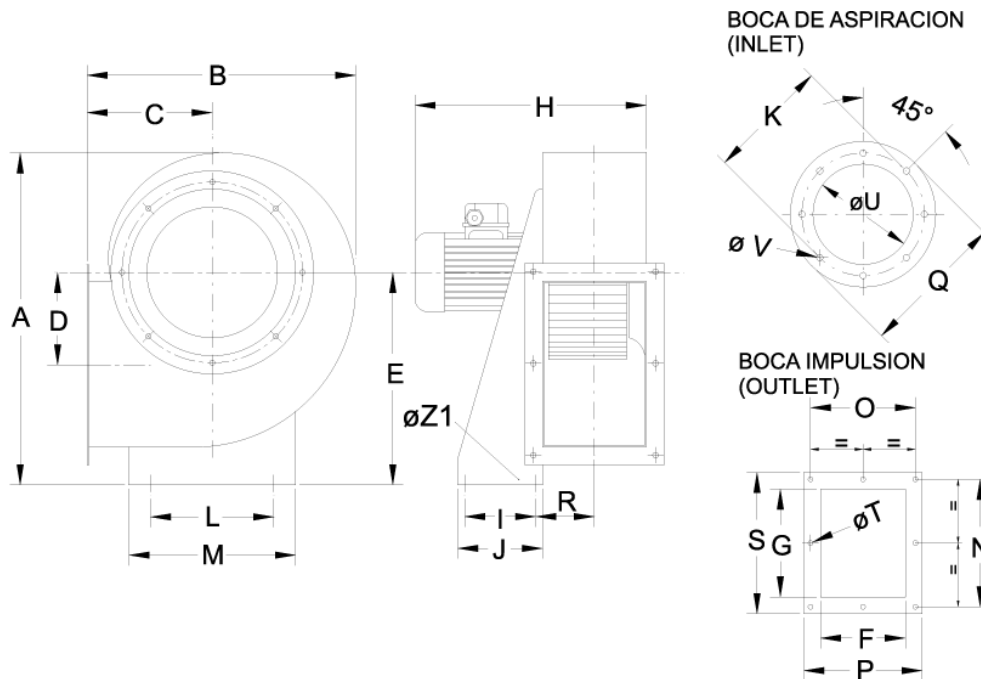


### Pressure dB(A) [1,5 m]

63 Hz	31
125 Hz	42
250 Hz	53
500 Hz	56
1000 Hz	58
2000 Hz	62
4000 Hz	58
8000 Hz	56
Total dB(A)	66



## dimensions diagram



### Dimensions (mm)

A=452	B=386	C=181	D=134	E=280	F=140	G=216	H=381	I=50	J=110	K=256	L=220
M=290	N=256	O=280	P=204	Q=280	R=100	S=282	TØ=9	UØ=180	VØ=9	Z1Ø=11	

## Wiring diagram

