

# MBX 25/10 T2 3kW

## Series general data MBX



### MANUFACTURING FEATURES

- Rolling steel sheet housing.
  - Completely joined or welded housing.
  - Single inlet forward curved impeller made of aluminium sheet.
  - Epoxy powder finishing coat.
  - Inlet sparkproof ring made of copper or aluminium.
  - Standard asynchronous squirrel-cage motor with IP-55 protection and Class F insulation. ATEX certified EEx-d.
- Manufactured with standard voltages: 230V 50Hz in single phase motors and 230/400V 50Hz in three phase motors up to 4kW, and 400/690V 50Hz for higher powers.

### APPLICATIONS

- Designed for inline installation, they are suitable for:
- General ventilation in closed environments classified as ATEX zone 2 or 22.
  - Maximum air working temperature from -20°C to 80°C.

### UNDER REQUEST

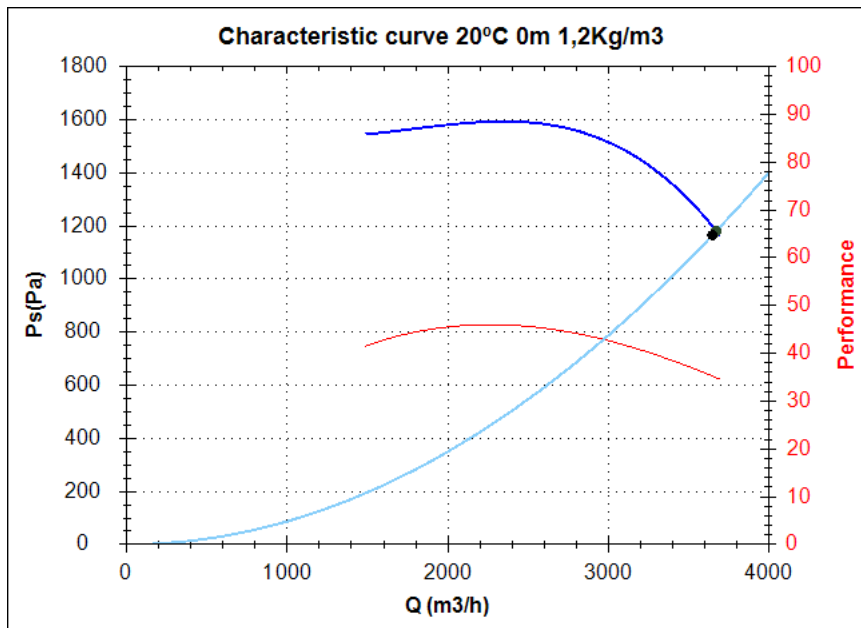
- 60Hz fans and special voltages.
- Special ATEX executions.

In compliance with the 94/9/CE Directive. ATEX II2G built. Certified II3G with certified ATEX EEx-d II2G motor for areas 2 (gas) or 22 (dust).

## Series accessories MBX



## Characteristic curve



### Design point

|          |         |
|----------|---------|
| Q (m3/h) | 3651,69 |
| Ps(Pa)   | 1165,7  |

### Service point

|                |            |
|----------------|------------|
| Impeller rpm   | 2800       |
| Max. temp.(°C) | 200        |
| Q (m3/h)       | 3675,58    |
| Ps(Pa)         | 1181,01    |
| Pd(Pa)         | 596,91     |
| Pt(Pa)         | 1777,91    |
| Air speed(m/s) | 31,55      |
| Perf.(%)       | 34,91      |
| SWL dB(A)      | 92 (INLET) |
| SPL dB(A)      | 78 (INLET) |
| Distance(m)    | 1,5        |

## Technical data

|                         |      |
|-------------------------|------|
| Impeller rpm            | 2800 |
| Motor rpm               | 2800 |
| Approx. weight(kg)      | 38   |
| Maximum flow rate(m3/h) | 3700 |

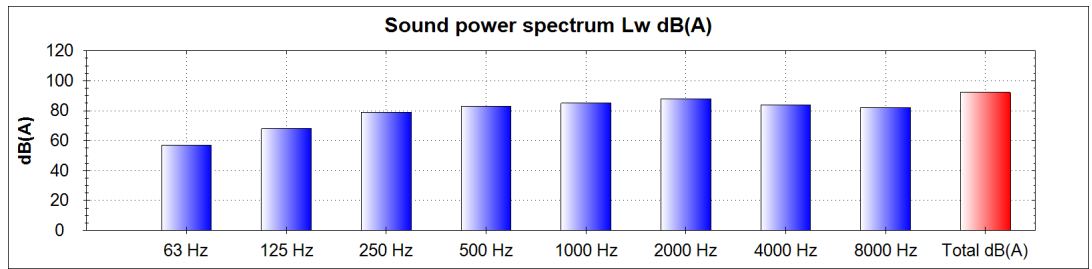
|              |      |
|--------------|------|
| Power(kW)    | 3    |
| Imax 230V(A) | 11,1 |
| Imax 400V(A) | 6,4  |
| Imax 690V(A) | -    |

# MBX 25/10 T2 3kW

## Acoustics to the service point (INLET)

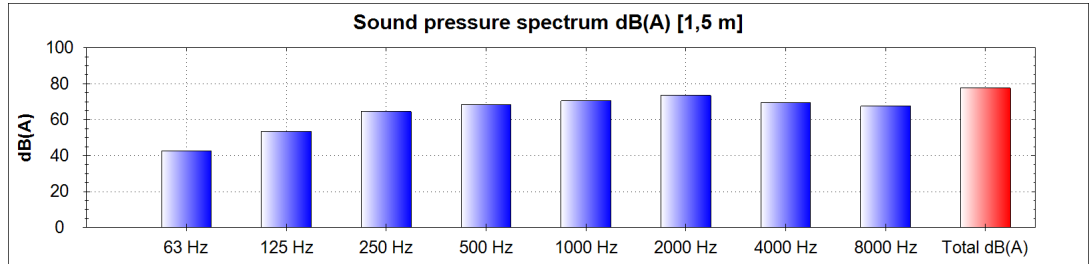
### Power dB(A)

|             |    |
|-------------|----|
| 63 Hz       | 57 |
| 125 Hz      | 68 |
| 250 Hz      | 79 |
| 500 Hz      | 83 |
| 1000 Hz     | 85 |
| 2000 Hz     | 88 |
| 4000 Hz     | 84 |
| 8000 Hz     | 82 |
| Total dB(A) | 92 |

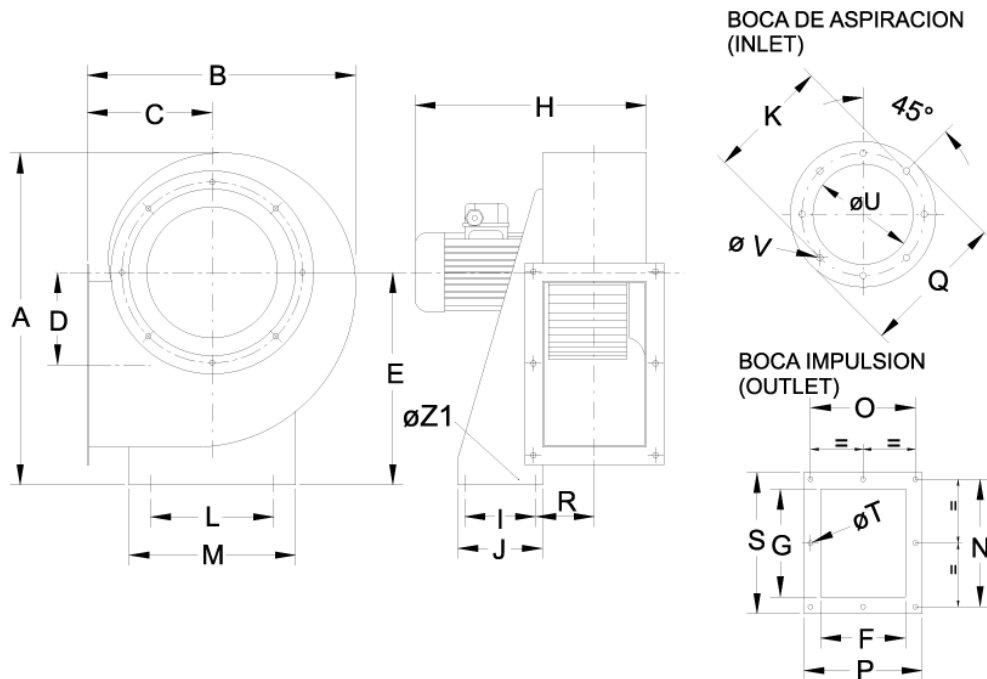


### Pressure dB(A) [1,5 m]

|             |    |
|-------------|----|
| 63 Hz       | 42 |
| 125 Hz      | 53 |
| 250 Hz      | 64 |
| 500 Hz      | 68 |
| 1000 Hz     | 70 |
| 2000 Hz     | 73 |
| 4000 Hz     | 69 |
| 8000 Hz     | 67 |
| Total dB(A) | 78 |



## dimensions diagram



### Dimensions (mm)

|       |       |       |       |       |       |       |       |        |       |        |       |
|-------|-------|-------|-------|-------|-------|-------|-------|--------|-------|--------|-------|
| A=501 | B=425 | C=197 | D=144 | E=310 | F=165 | G=250 | H=477 | I=74   | J=134 | K=282  | L=228 |
| M=315 | N=290 | O=205 | P=229 | Q=306 | R=113 | S=314 | TØ=9  | UØ=203 | VØ=9  | Z1Ø=13 |       |

## Wiring diagram

