

# MBX 25/10 T4 1,1kW

## Series general data MBX



### MANUFACTURING FEATURES

- Rolling steel sheet housing.
  - Completely joined or welded housing.
  - Single inlet forward curved impeller made of aluminium sheet.
  - Epoxy powder finishing coat.
  - Inlet sparkproof ring made of copper or aluminium.
  - Standard asynchronous squirrel-cage motor with IP-55 protection and Class F insulation. ATEX certified EEx-d.
- Manufactured with standard voltages: 230V 50Hz in single phase motors and 230/400V 50Hz in three phase motors up to 4kW, and 400/690V 50Hz for higher powers.

### APPLICATIONS

- Designed for inline installation, they are suitable for:
- General ventilation in closed environments classified as ATEX zone 2 or 22.
  - Maximum air working temperature from -20°C to 80°C.

### UNDER REQUEST

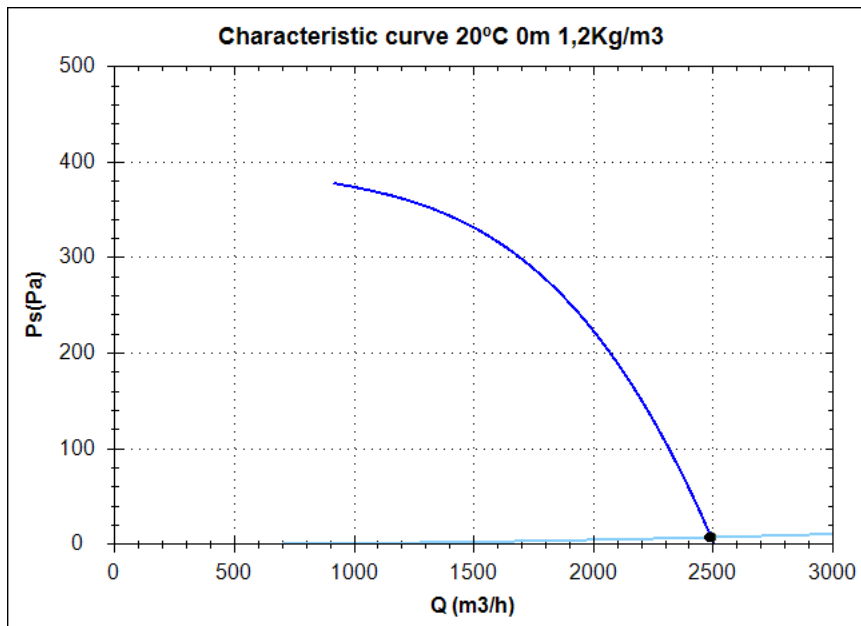
- 60Hz fans and special voltages.
- Special ATEX executions.

In compliance with the 94/9/CE Directive. ATEX II2G built. Certified II3G with certified ATEX EEx-d II2G motor for areas 2 (gas) or 22 (dust).

## Series accessories MBX



## Characteristic curve



### Design point

Q (m <sup>3</sup> /h)	2484,72
Ps(Pa)	7,62

### Service point

Impeller rpm	1400
Max. temp.(°C)	200
Q (m <sup>3</sup> /h)	2491,46
Ps(Pa)	7,66
Pd(Pa)	274,26
Pt(Pa)	281,92
Air speed(m/s)	21,38
SWL dB(A)	85 (INLET)
SPL dB(A)	70 (INLET)
Distance(m)	1,5

## Technical data

Impeller rpm	1400
Motor rpm	1400
Approx. weight(kg)	33
Maximum flow rate(m <sup>3</sup> /h)	2530

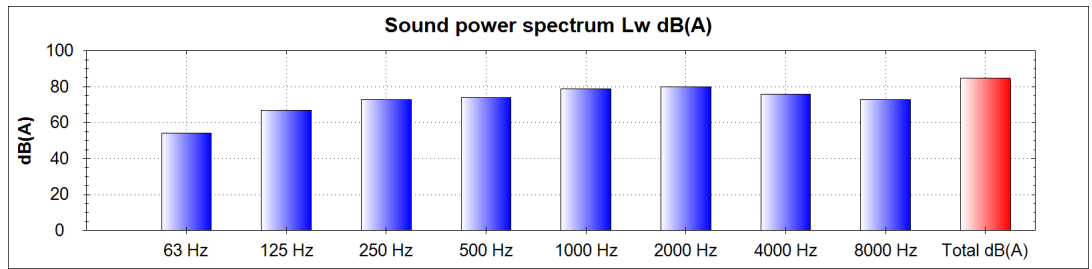
Power(kW)	1,1
Imax 230V(A)	4,74
Imax 400V(A)	2,75
Imax 690V(A)	-

# MBX 25/10 T4 1,1kW

## Acoustics to the service point (INLET)

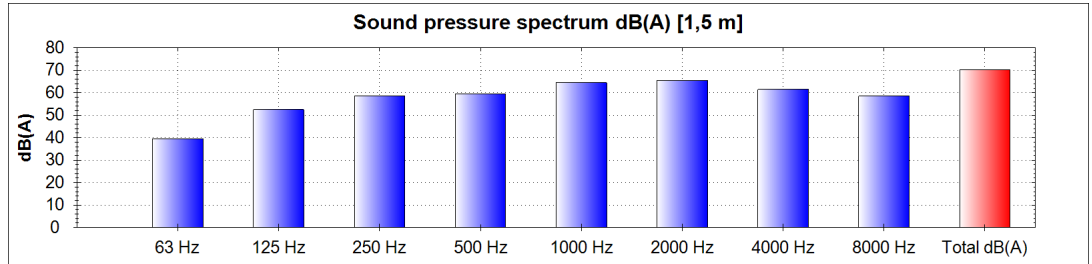
### Power dB(A)

63 Hz	54
125 Hz	67
250 Hz	73
500 Hz	74
1000 Hz	79
2000 Hz	80
4000 Hz	76
8000 Hz	73
Total dB(A)	85

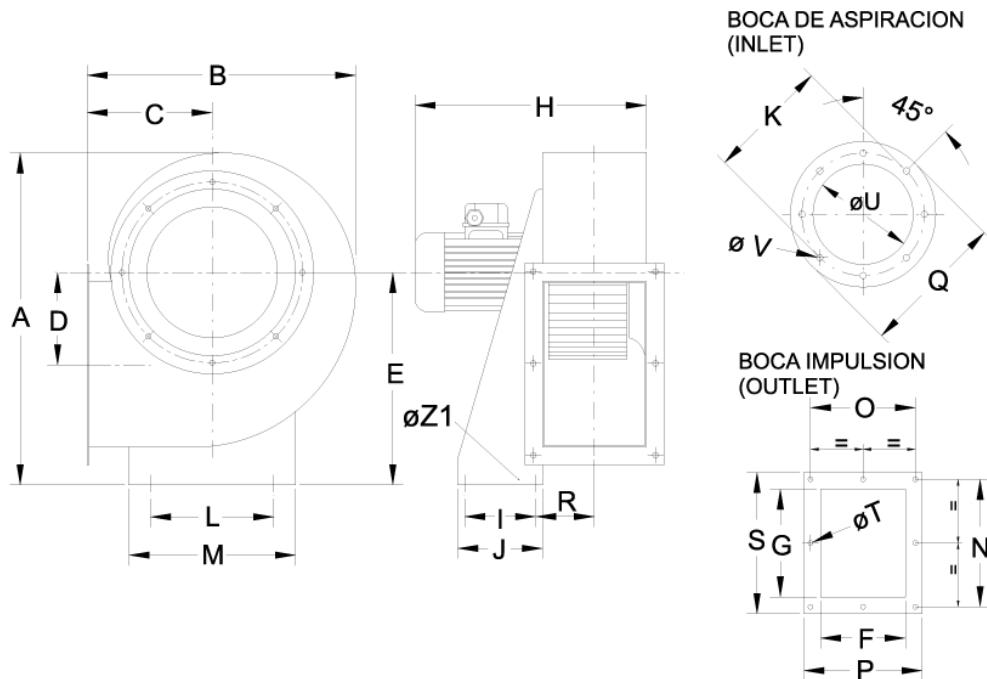


### Pressure dB(A) [1,5 m]

63 Hz	39
125 Hz	52
250 Hz	58
500 Hz	59
1000 Hz	64
2000 Hz	65
4000 Hz	61
8000 Hz	58
Total dB(A)	70



## dimensions diagram



### Dimensions (mm)

A=501	B=425	C=197	D=144	E=310	F=165	G=250	H=477	I=74	J=134	K=282	L=228
M=315	N=290	O=205	P=229	Q=306	R=113	S=314	TØ=9	UØ=203	VØ=9	Z1Ø=13	

## Wiring diagram

