

# MBX 28/11 T2 4kW

## Series general data MBX



### MANUFACTURING FEATURES

- Rolling steel sheet housing.
  - Completely joined or welded housing.
  - Single inlet forward curved impeller made of aluminium sheet.
  - Epoxy powder finishing coat.
  - Inlet sparkproof ring made of copper or aluminium.
  - Standard asynchronous squirrel-cage motor with IP-55 protection and Class F insulation. ATEX certified EEx-d.
- Manufactured with standard voltages: 230V 50Hz in single phase motors and 230/400V 50Hz in three phase motors up to 4kW, and 400/690V 50Hz for higher powers.

### APPLICATIONS

- Designed for inline installation, they are suitable for:
- General ventilation in closed environments classified as ATEX zone 2 or 22.
  - Maximum air working temperature from -20°C to 80°C.

### UNDER REQUEST

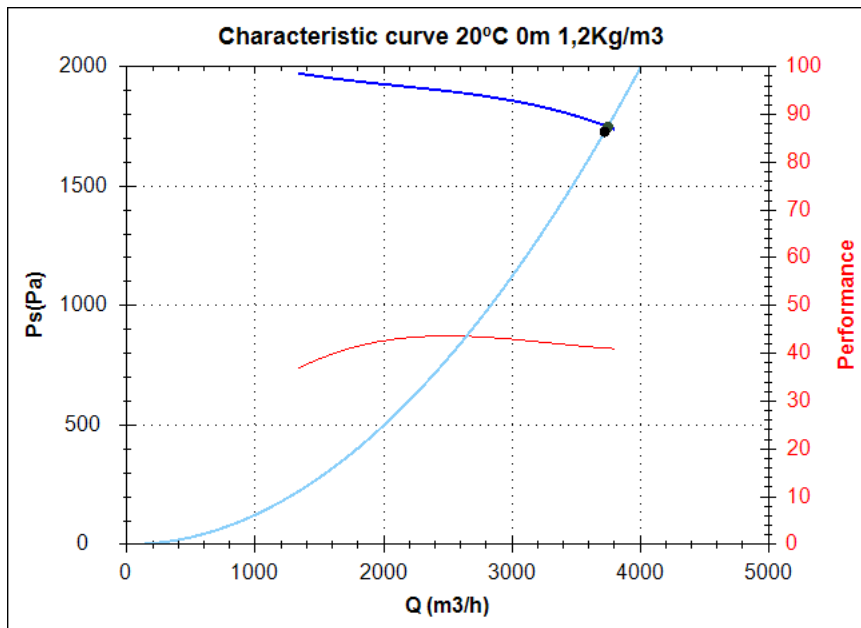
- 60Hz fans and special voltages.
- Special ATEX executions.

In compliance with the 94/9/CE Directive. ATEX II2G built. Certified II3G with certified ATEX EEx-d II2G motor for areas 2 (gas) or 22 (dust).

## Series accessories MBX



## Characteristic curve



### Design point

Q (m <sup>3</sup> /h)	3723,58
Ps(Pa)	1727,2

### Service point

Impeller rpm	2890
Max. temp.(°C)	200
Q (m <sup>3</sup> /h)	3747,36
Ps(Pa)	1749,33
Pd(Pa)	389,90
Pt(Pa)	2139,23
Air speed(m/s)	25,50
Perf.(%)	41,07
SWL dB(A)	96 (INLET)
SPL dB(A)	81 (INLET)
Distance(m)	1,5

## Technical data

Impeller rpm	2890
Motor rpm	2890
Approx. weight(kg)	46
Maximum flow rate(m <sup>3</sup> /h)	3800

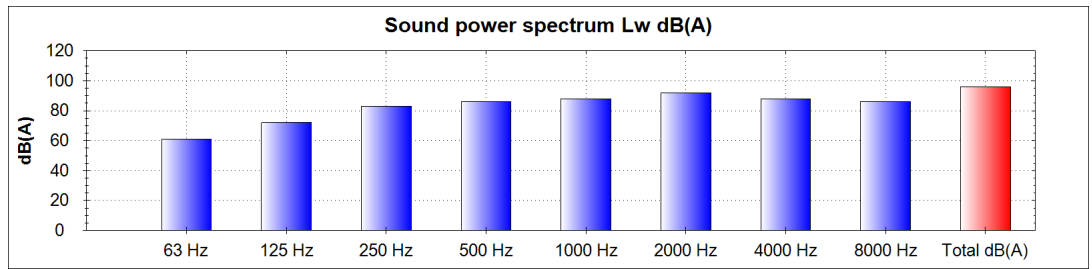
Power(kW)	4
Imax 230V(A)	14,2
Imax 400V(A)	8,2
Imax 690V(A)	-

# MBX 28/11 T2 4kW

## Acoustics to the service point (INLET)

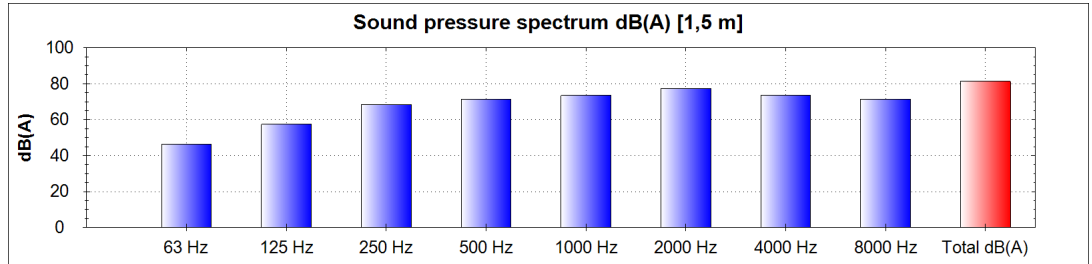
### Power dB(A)

63 Hz	61
125 Hz	72
250 Hz	83
500 Hz	86
1000 Hz	88
2000 Hz	92
4000 Hz	88
8000 Hz	86
Total dB(A)	96

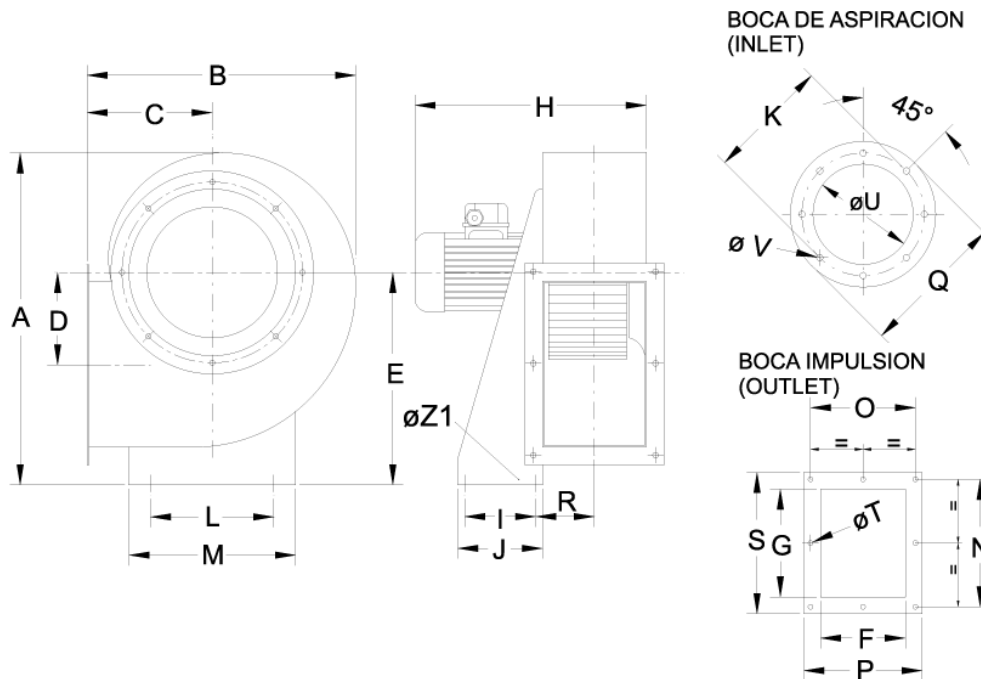


### Pressure dB(A) [1,5 m]

63 Hz	46
125 Hz	57
250 Hz	68
500 Hz	71
1000 Hz	73
2000 Hz	77
4000 Hz	73
8000 Hz	71
Total dB(A)	81



## dimensions diagram



### Dimensions (mm)

A=553	B=471	C=216	D=152	E=340	F=180	G=300	H=515	I=95	J=144	K=320	L=245
M=348	N=340	O=220	P=244	Q=348	R=120	S=364	TØ=9	UØ=228	VØ=9	Z1Ø=13	

## Wiring diagram

