

# MBX 35/14 T4 3kW

## Series general data MBX



### MANUFACTURING FEATURES

- Rolling steel sheet housing.
  - Completely joined or welded housing.
  - Single inlet forward curved impeller made of aluminium sheet.
  - Epoxy powder finishing coat.
  - Inlet sparkproof ring made of copper or aluminium.
  - Standard asynchronous squirrel-cage motor with IP-55 protection and Class F insulation. ATEX certified EEx-d.
- Manufactured with standard voltages: 230V 50Hz in single phase motors and 230/400V 50Hz in three phase motors up to 4kW, and 400/690V 50Hz for higher powers.

### APPLICATIONS

- Designed for inline installation, they are suitable for:
- General ventilation in closed environments classified as ATEX zone 2 or 22.
  - Maximum air working temperature from -20°C to 80°C.

### UNDER REQUEST

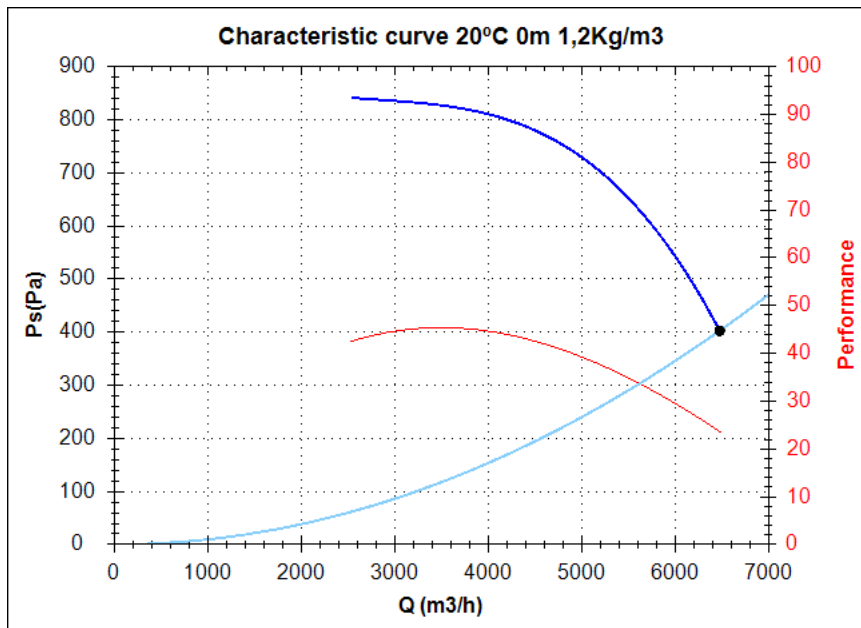
- 60Hz fans and special voltages.
- Special ATEX executions.

In compliance with the 94/9/CE Directive. ATEX II2G built. Certified II3G with certified ATEX EEx-d II2G motor for areas 2 (gas) or 22 (dust).

## Series accessories MBX



## Characteristic curve



### Design point

Q (m <sup>3</sup> /h)	6476,27
Ps(Pa)	402,49

### Service point

Impeller rpm	1430
Max. temp.(°C)	200
Q (m <sup>3</sup> /h)	6478,73
Ps(Pa)	402,79
Pd(Pa)	451,47
Pt(Pa)	854,26
Air speed(m/s)	27,44
Perf.(%)	23,67
SWL dB(A)	91 (INLET)
SPL dB(A)	76 (INLET)
Distance(m)	1,5

## Technical data

Impeller rpm	1430
Motor rpm	1430
Approx. weight(kg)	63
Maximum flow rate(m <sup>3</sup> /h)	6500

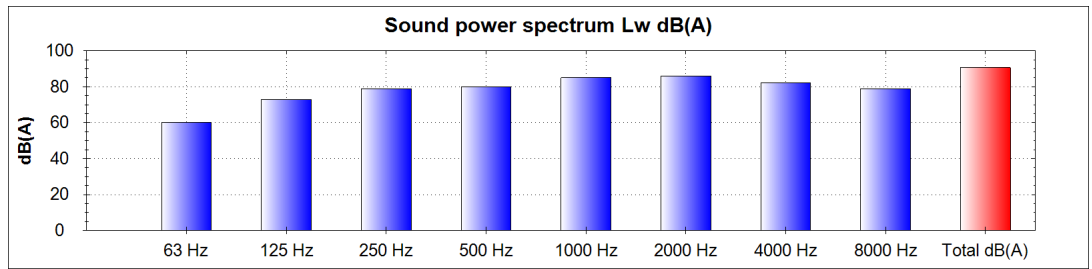
Power(kW)	3
Imax 230V(A)	11,7
Imax 400V(A)	6,8
Imax 690V(A)	-

# MBX 35/14 T4 3kW

## Acoustics to the service point (INLET)

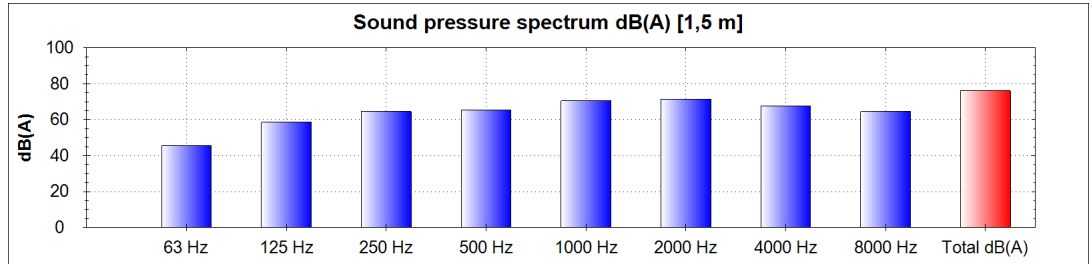
### Power dB(A)

63 Hz	60
125 Hz	73
250 Hz	79
500 Hz	80
1000 Hz	85
2000 Hz	86
4000 Hz	82
8000 Hz	79
Total dB(A)	91

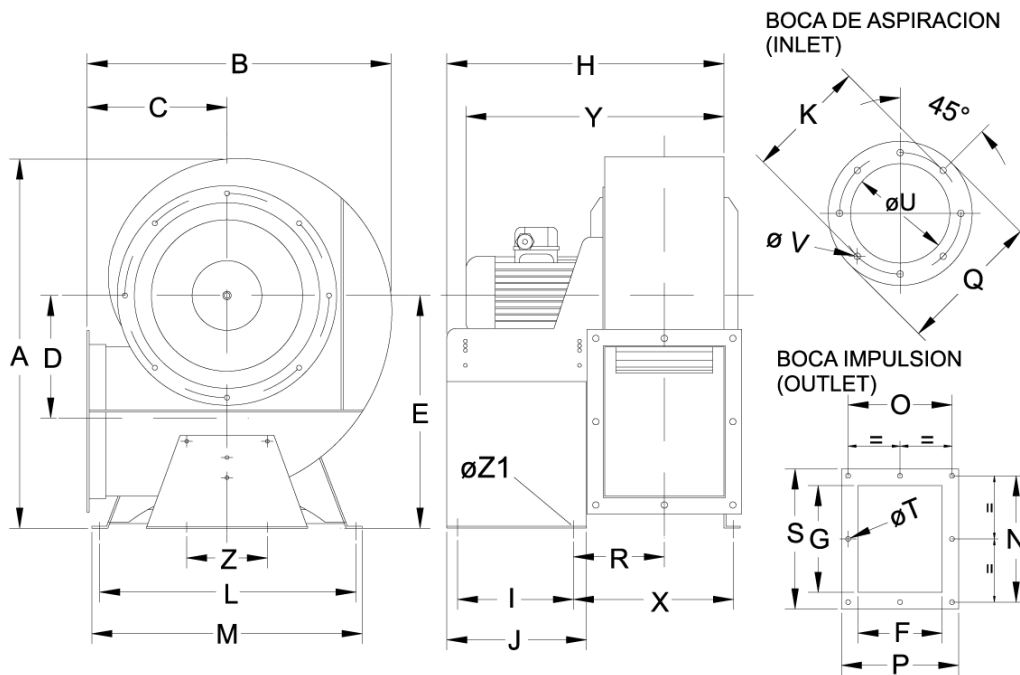


### Pressure dB(A) [1,5 m]

63 Hz	45
125 Hz	58
250 Hz	64
500 Hz	65
1000 Hz	70
2000 Hz	71
4000 Hz	67
8000 Hz	64
Total dB(A)	76



## dimensions diagram



### Dimensions (mm)

A=718	B=584	C=267	D=243	E=451	F=224	G=280	H=564	I=240	J=290	K=394	L=449
M=524	N=318	O=266	P=300	Q=422	R=184	S=356	TØ=11	UØ=289	VØ=11	Y=564	Z1=13

## Wiring diagram

