

# MBX 45/18 T6 2,2kW

## Series general data MBX



### MANUFACTURING FEATURES

- Rolling steel sheet housing.
  - Completely joined or welded housing.
  - Single inlet forward curved impeller made of aluminium sheet.
  - Epoxy powder finishing coat.
  - Inlet sparkproof ring made of copper or aluminium.
  - Standard asynchronous squirrel-cage motor with IP-55 protection and Class F insulation. ATEX certified EEx-d.
- Manufactured with standard voltages: 230V 50Hz in single phase motors and 230/400V 50Hz in three phase motors up to 4kW, and 400/690V 50Hz for higher powers.

### APPLICATIONS

- Designed for inline installation, they are suitable for:
- General ventilation in closed environments classified as ATEX zone 2 or 22.
  - Maximum air working temperature from -20°C to 80°C.

### UNDER REQUEST

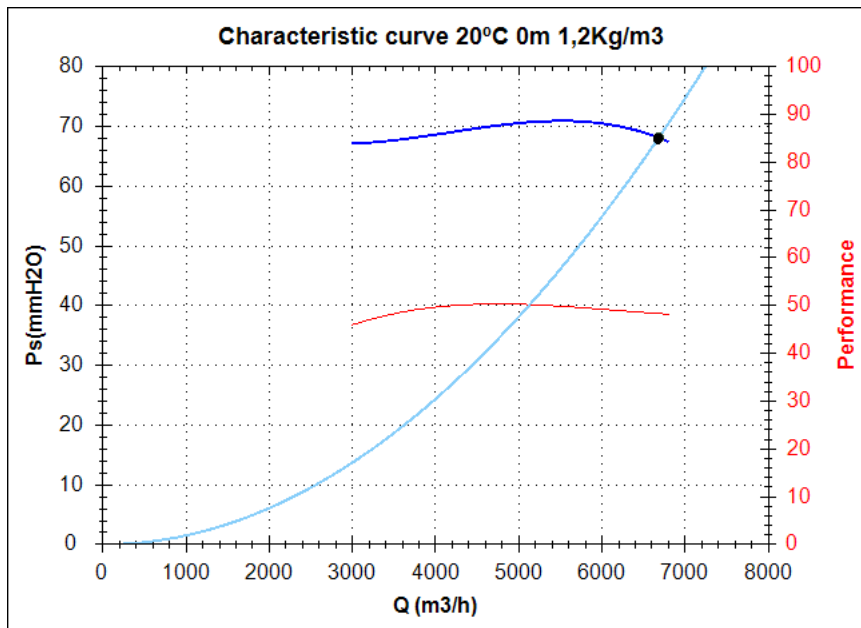
- 60Hz fans and special voltages.
- Special ATEX executions.

In compliance with the 94/9/CE Directive. ATEX II2G built. Certified II3G with certified ATEX EEx-d II2G motor for areas 2 (gas) or 22 (dust).

## Series accessories MBX



## Characteristic curve



### Design point

Q (m <sup>3</sup> /h)	6673,92
Ps(mmH <sub>2</sub> O)	67,94

### Service point

Impeller rpm	940
Max. temp.(°C)	200
Q (m <sup>3</sup> /h)	6682,45
Ps(mmH <sub>2</sub> O)	68,12
Pd(mmH <sub>2</sub> O)	19,25
Pt(mmH <sub>2</sub> O)	87,37
Air speed(m/s)	17,74
Perf.(%)	48,34
SWL dB(A)	90 (INLET)
SPL dB(A)	76 (INLET)
Distance(m)	1,5

## Technical data

Impeller rpm	940
Motor rpm	940
Approx. weight(kg)	112
Maximum flow rate(m <sup>3</sup> /h)	6800

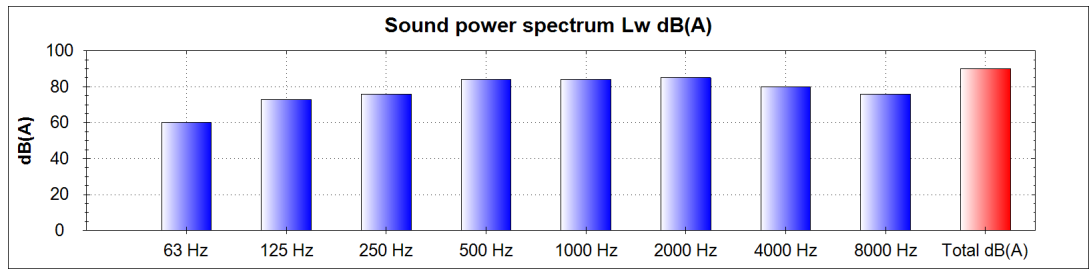
Power(kW)	2,2
Imax 230V(A)	9,7
Imax 400V(A)	5,6
Imax 690V(A)	-

# MBX 45/18 T6 2,2kW

## Acoustics to the service point (INLET)

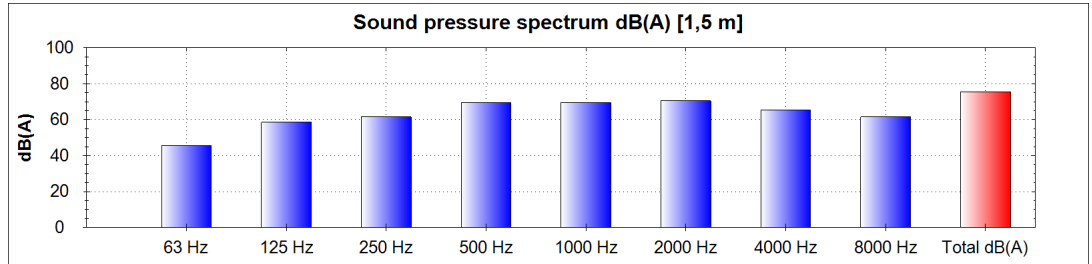
### Power dB(A)

63 Hz	60
125 Hz	73
250 Hz	76
500 Hz	84
1000 Hz	84
2000 Hz	85
4000 Hz	80
8000 Hz	76
Total dB(A)	90

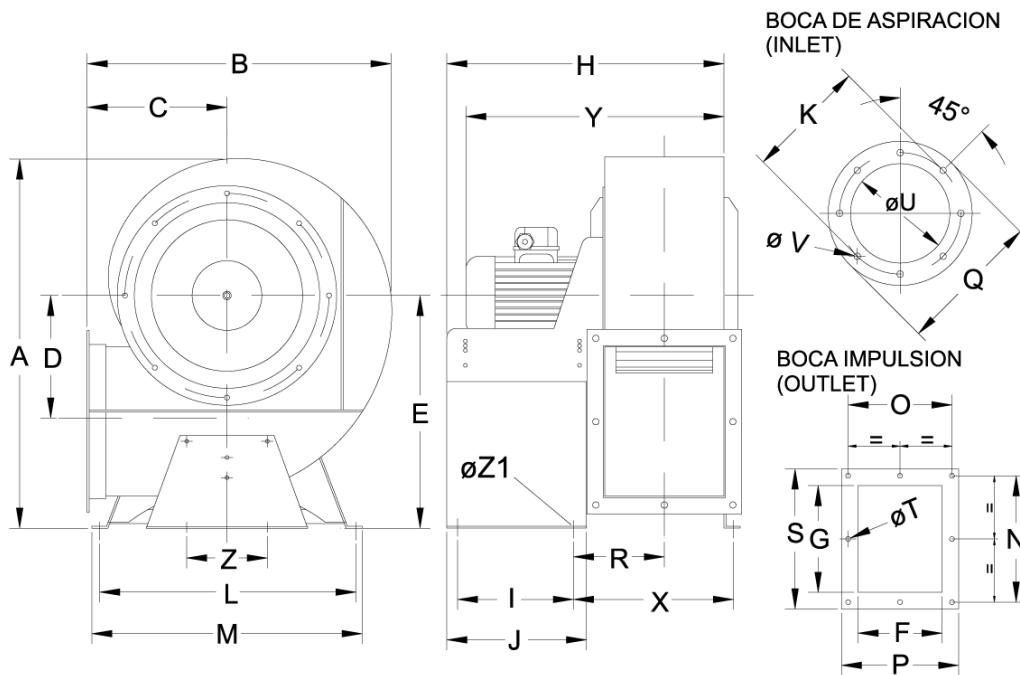


### Pressure dB(A) [1,5 m]

63 Hz	45
125 Hz	58
250 Hz	61
500 Hz	69
1000 Hz	69
2000 Hz	70
4000 Hz	65
8000 Hz	61
Total dB(A)	76



## dimensions diagram



### Dimensions (mm)

A=885	B=728	C=326	D=305	E=553	F=280	G=360	H=625	I=250	J=300	K=489	L=602
M=632	N=404	O=328	P=356	Q=515	R=207	S=436	TØ=11	UØ=365	VØ=11	X=365	Y=625
Z=200	Z1=13										

## Wiring diagram

