

BD 9/7 M6 0,13kW (251260261)

GENERAL DATA



FAN DOUBLE INLET

MANUFACTURING FEATURES:

- Fully made of galvanised steel sheet.
- Double inlet forward curved impeller in all models. Turbine fiber reinforced glass sizes 7-7, 9-9, 10/10 and 12/12. Other models in galvanized sheet.
- Supplied with mounting feet (included in price).
- Exclusive system Casals fixing motor and turbine fan by flexible arms silent blocks to avoid any vibration. Arms in compliance with ROHS regulations 2002/95 / EC (Restriction of Hazardous Substances in electrical and electronic equipment)
- Closed motors specially designed Casals: extruded aluminum housing, all protected inside the terminal box, built-in motor with IP65 connections.
- Motor with IP55 protection and Class F insulation standard voltages: 230V 50Hz in single phase and 230 / 400V 50Hz three-phase.
- Single phase voltage controllable. Adjustable phase models suitable for inverter.

APPLICATIONS:

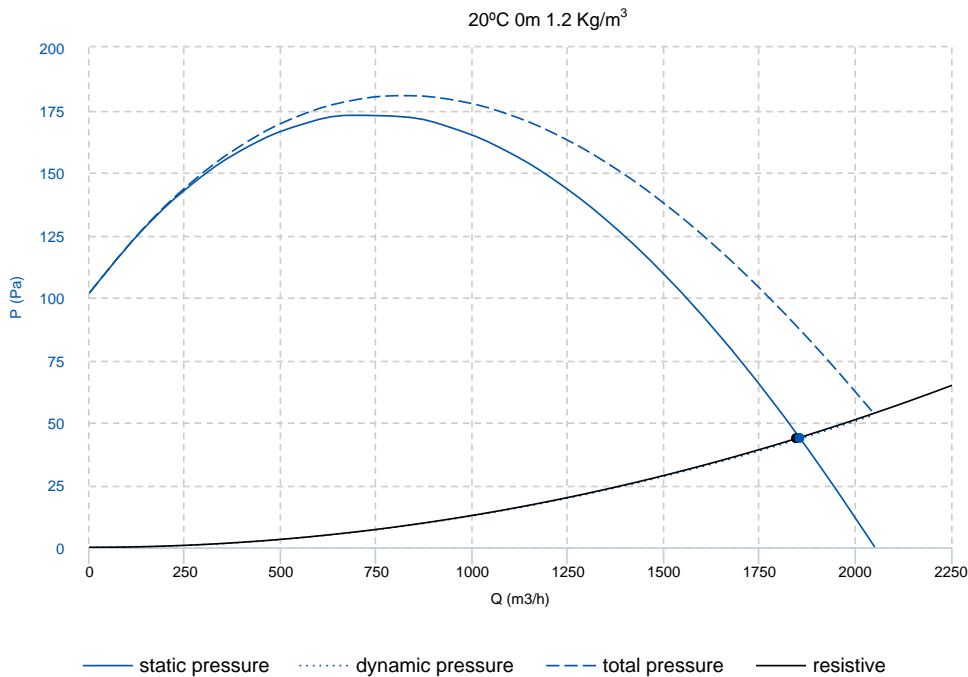
Designed for assembly in equipment:

- Ventilation boxes and air handling units.
- Centrifugal heaters.
- Industrial and professional kitchen hoods.
- Maximum working temperature: 50°C.

UNDER REQUEST

- Impeller made of galvanized steel sheet.
- MBI assembled

CHARACTERISCTIC CURVE



Design point

Q (m ³ /h)	1849.09
P (Pa)	43.67

Service point

Max temp. (°C)	50
Q (m ³ /h)	1854.77
P _s (Pa)	43.77
P _d (Pa)	43.38
P _t (Pa)	87.15
Air speed (m/s)	8.5
efficiency (%)	9.65
P _{abs} (kW)* 20°C	0.25

* 1.2 Kg/m³

TECHNICAL DATA

fan

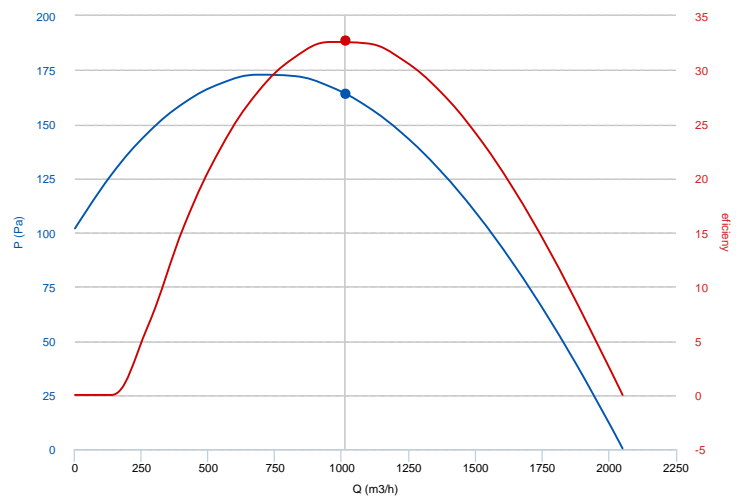
RPM	925	approx. weight	14 kg	max flow	2050 m ³ /h
-----	-----	----------------	-------	----------	------------------------

motor

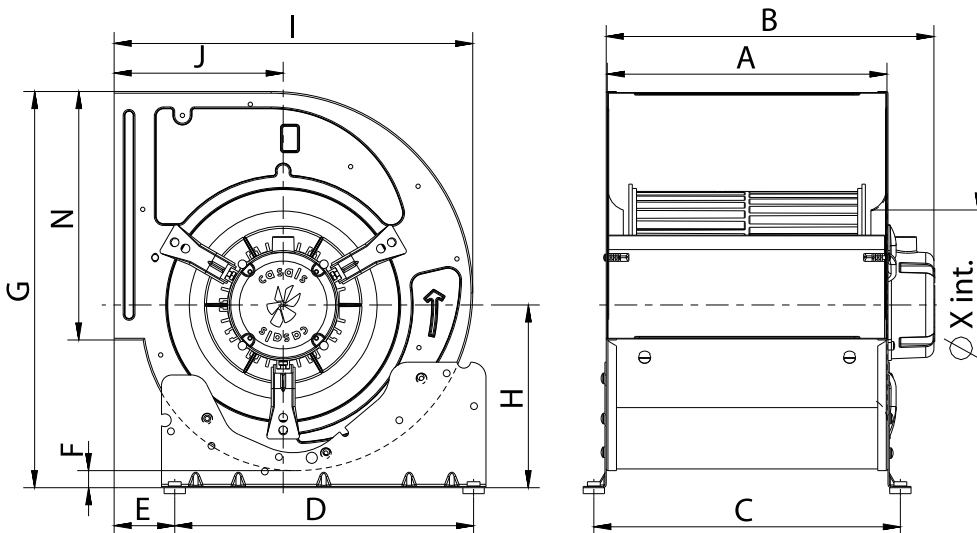
power	0.13 kW	motor rpm	940	Capacitor	6 μ F 400V
imax 230V	1,3 A	size	80		

ERP DATA

Fan datasheet			
Fan type	Centrifugal fan radial or forward blades		
Installation category	A	Outlet and Inlet free discharge	
Efficiency category	Static		
The fan has to be installed with FSC	NO		
Motor power (kW)	0.13		
	Casals values	ErP Requirements	
		2013	2015
Max. efficiency (%)	32.72	25.34	32.34
Efficiency grade (N)	44.38	37	44
Pabs (kW)	0.143		
Flow (m ³ /h)	1012.63		
Ps (Pa)	164.08		
speed (rpm)	925		
Specific ratio	1.00		



DIMENSIONS DIAGRAM



Dimensions (mm)

A	233	B máx	284	C	262	D	245	E	70
F	19	G	407	H	191	I	376	J	184

WIRING DIAGRAM

MOTOR MONOFÁSICO SINGLE PHASE MOTOR

