

BOX BD 10/10 M6 0,21kW (251370551)

GENERAL DATA



CENTRIFUGAL IN SOUNDPROOF CABINET

MANUFACTURING FEATURES:

- Impellers made of polyamide reinforced with fiberglass up to size 33/33 (12/12). Rest of models made of galvanized steel sheet.
- BD range fans assembled in soundproof cabinets with Flexi roll Pol Na 30 Anthracite grey M1 fire resistance insulated panels.
- Fan assembled on antivibration mountings.
- Connection gland included.
- Closed motors specially designed by Casals with extruded aluminum housing, which make the whole connection is protected within the integrated terminal box on the motor with IP-65 protection. Motor with IP-54 protection and Class F insulation standard voltages: 230V 50Hz in single phase and 230/400 V three-phase motors.

APPLICATIONS:

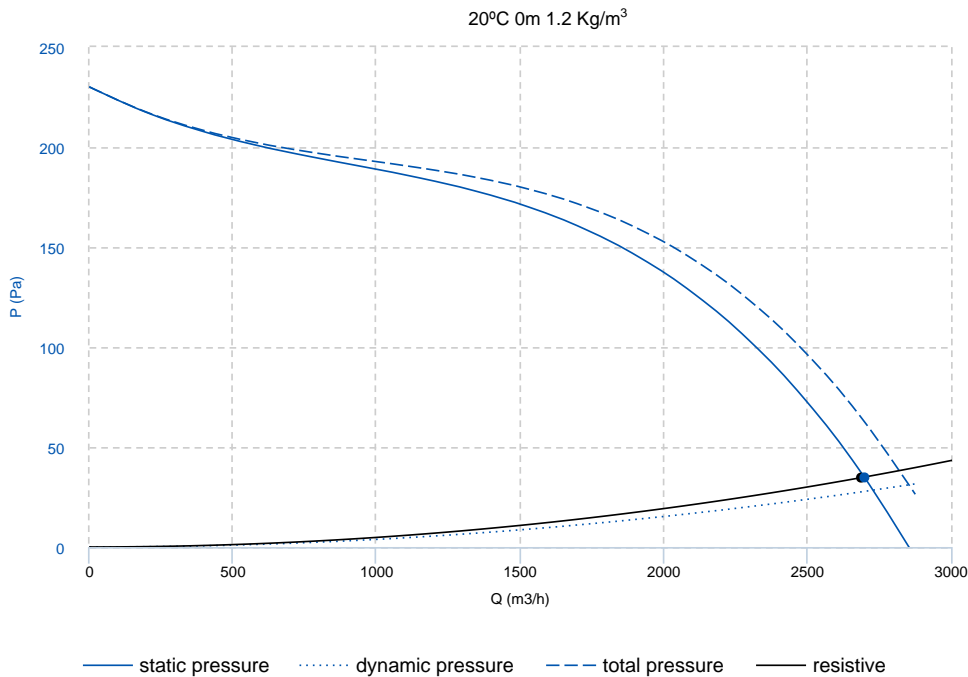
Designed for inline installation, indoor or outdoor assembly, they are suitable for:

- Air renewal in buildings and industries.
- Industrial and professional kitchen hoods.
- Maximum working temperature: 50°C.

UNDER REQUEST:

- 3 speed fans.
- LG0 position.
- Impellers made of galvanized steel sheet.

CHARACTERISTIC CURVE



Design point

Q (m ³ /h)	2687.27
P (Pa)	34.69

Service point

Max temp. (°C)	50
Q (m ³ /h)	2698.83
P _s (Pa)	34.79
P _d (Pa)	27.81
P _t (Pa)	62.6
Air speed (m/s)	6.81
efficiency (%)	8.38
P _{abs} (kW)* 20°C	0.31

* 1.2 Kg/m³

TECHNICAL DATA

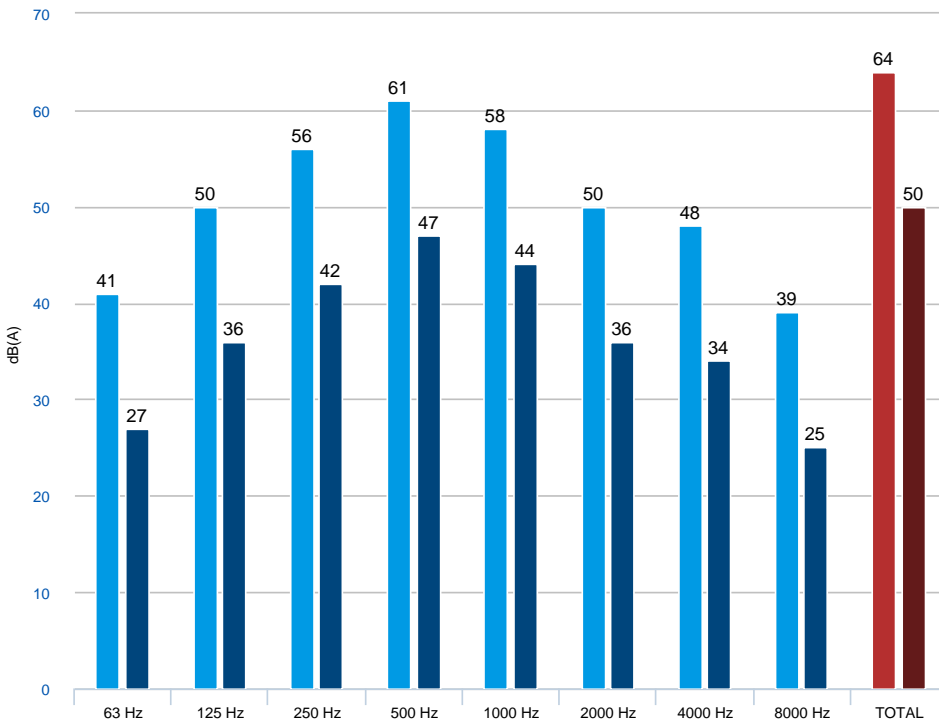
fan

RPM	945	approx. weight	34 kg	max flow	2547 m ³ /h
-----	-----	----------------	-------	----------	------------------------

motor

power	0.21 kW	motor rpm	945	Capacitor	9µF 400V
imax 230V	2,1 A	size	80		

ACOUSTIC DATA



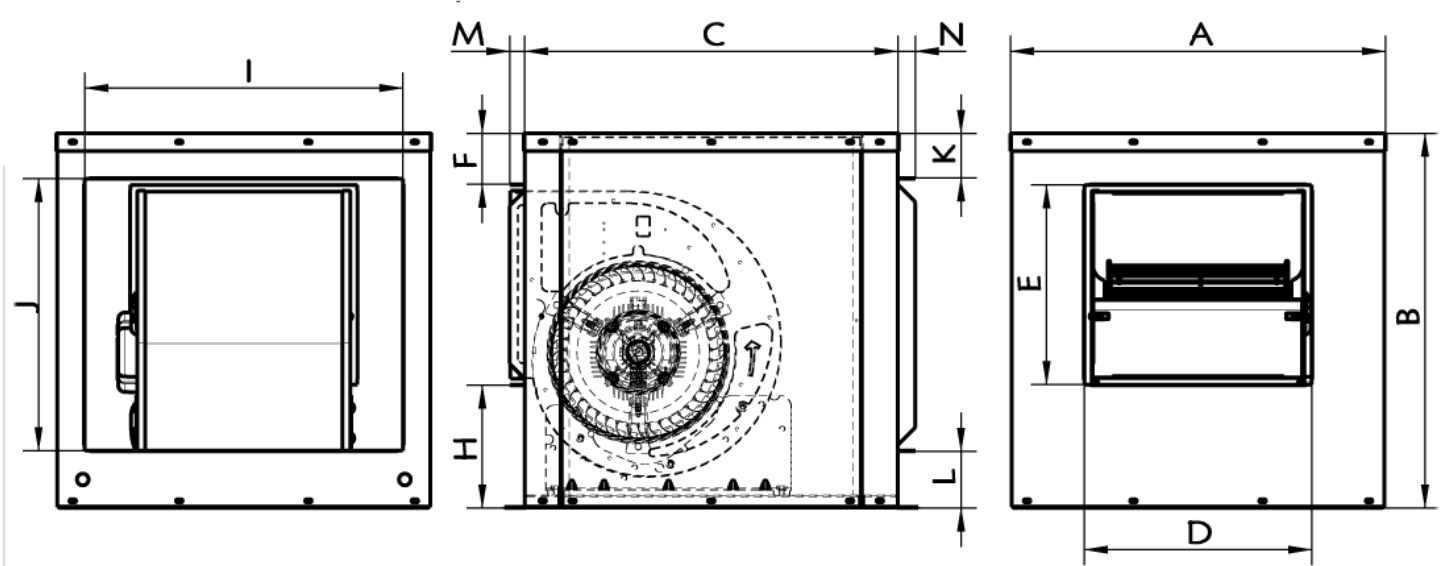
Noise power Lw dB(A)

63 Hz	41
125 Hz	50
250 Hz	56
500 Hz	61
1000 Hz	58
2000 Hz	50
4000 Hz	48
8000 Hz	39
TOTAL	64

Noise pressure Lw dB(A) 1.5 m (INLET)

63 Hz	27
125 Hz	36
250 Hz	42
500 Hz	47
1000 Hz	44
2000 Hz	36
4000 Hz	34
8000 Hz	25
TOTAL	50

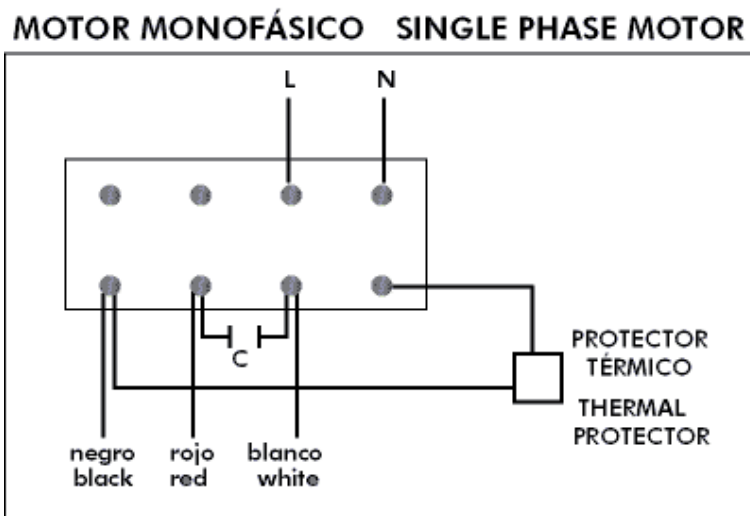
DIMENSIONS DIAGRAM



Dimensions (mm)

A	580	B	580	C	580	D	354	E	311
F	79	H	190	I	489	J	421	K	69
L	88	M	23	N	27				

WIRING DIAGRAM



ACCESSORIES



**SINGLE PHASE MANUAL SPEED CONTROLLER
REG 3A**
ref: 960710030



**SAFETY SWITCH
INT 6,5 1V**
ref: FX452508



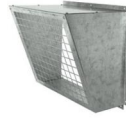
**OUTLET GRAVITY SHUTTER
PI 28/28 (10/10)**
ref: 970280100



**INLET BLIND COVER
TCA8**
ref: 960001113



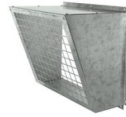
**INLET/OUTLET ROUND FLANGE
TIAC 3 (OUT)**
ref: 960001353



**FLANGE WITH BIRD GUARD
VIS OUT 10**
ref: 960000051



**INLET/OUTLET ROUND FLANGE
TIAC 14 (IN)**
ref: 960001364



**FLANGE WITH BIRD GUARD
VIS IN 10**
ref: 960000053



**ACCESSORY TO CONNECT BOXES
BAC 3 (OUT)**
ref: 960002953



**ACCESSORY TO CONNECT BOXES
BAC 14 (IN)**
ref: 960002964