

BOX BD 9/9 M6 0,13kW (251280551)

GENERAL DATA



CENTRIFUGAL IN SOUNDPROOF CABINET

MANUFACTURING FEATURES:

- Impellers made of polyamide reinforced with fiberglass up to size 33/33 (12/12). Rest of models made of galvanized steel sheet.
- BD range fans assembled in soundproof cabinets with Flexi roll Pol Na 30 Anthracite grey M1 fire resistance insulated panels.
- Fan assembled on antivibration mountings.
- Connection gland included.
- Closed motors specially designed by Casals with extruded aluminum housing, which make the whole connection is protected within the integrated terminal box on the motor with IP-65 protection. Motor with IP-54 protection and Class F insulation standard voltages: 230V 50Hz in single phase and 230/400 V three-phase motors.

APPLICATIONS:

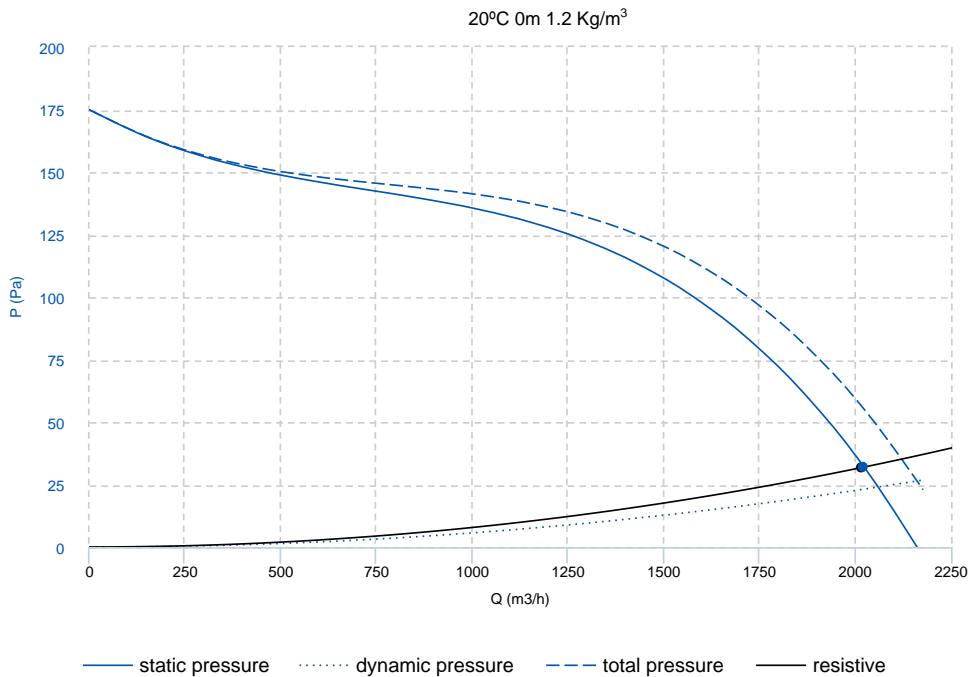
Designed for inline installation, indoor or outdoor assembly, they are suitable for:

- Air renewal in buildings and industries.
- Industrial and professional kitchen hoods.
- Maximum working temperature: 50°C.

UNDER REQUEST:

- 3 speed fans.
- LG0 position.
- Impellers made of galvanized steel sheet.

CHARACTERISTIC CURVE



Design point

Q (m ³ /h)	2018.18
P (Pa)	31.84

Service point

Max temp. (°C)	50
Q (m ³ /h)	2022.35
P _s (Pa)	32.09
P _d (Pa)	23.14
P _t (Pa)	55.23
Air speed (m/s)	6.21
efficiency (%)	7.92
P _{abs} (kW)* 20°C	0.23

* 1.2 Kg/m³

TECHNICAL DATA

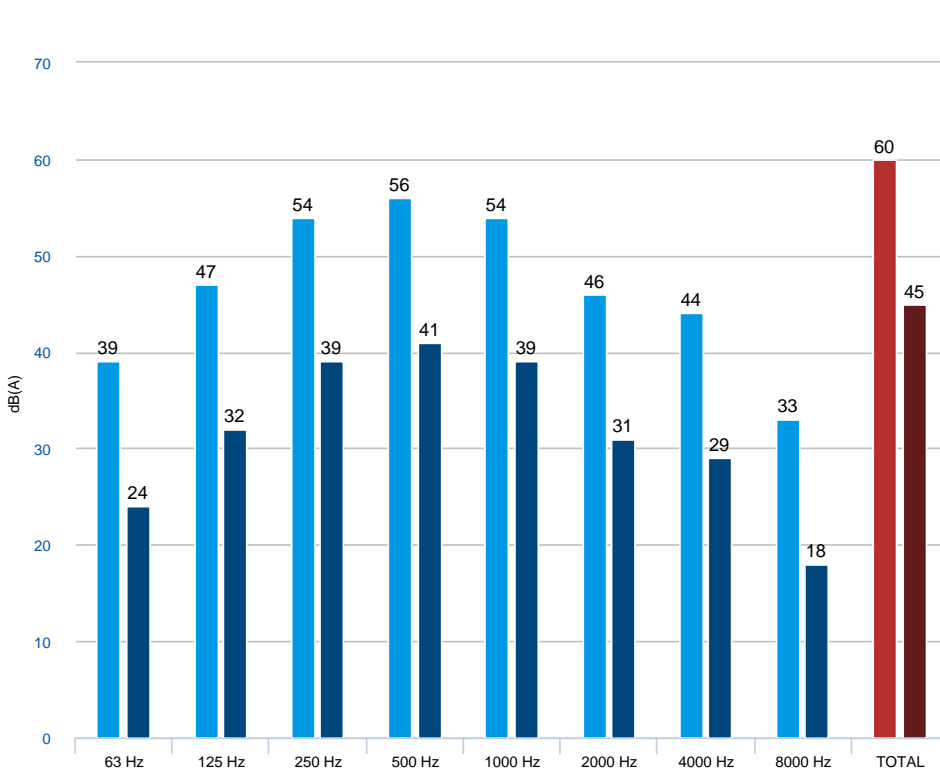
fan

RPM	940	approx. weight	28 kg	max flow	2160 m ³ /h
-----	-----	----------------	-------	----------	------------------------

motor

power	0.13 kW	motor rpm	940	Capacitor	6µF 400V
imax 230V	1,3 A	size	80		

ACOUSTIC DATA



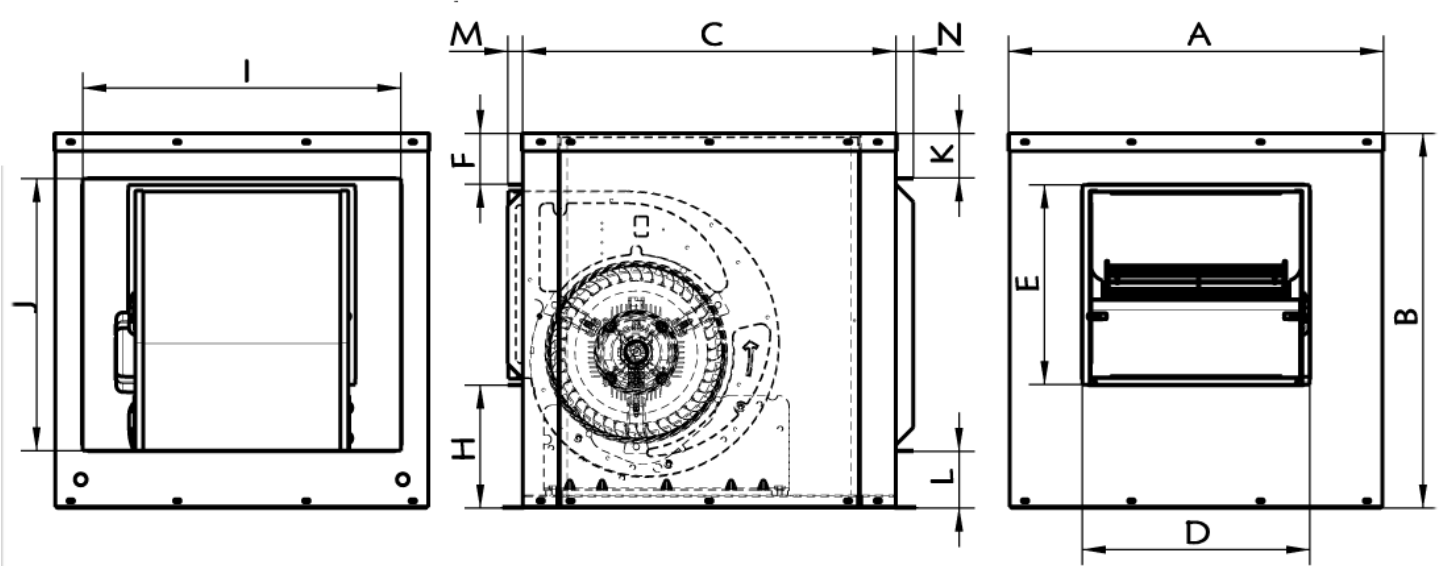
Noise power Lw dB(A)

63 Hz	39
125 Hz	47
250 Hz	54
500 Hz	56
1000 Hz	54
2000 Hz	46
4000 Hz	44
8000 Hz	33
TOTAL	60

Noise pressure Lw dB(A) 1.5 m (INLET)

63 Hz	24
125 Hz	32
250 Hz	39
500 Hz	41
1000 Hz	39
2000 Hz	31
4000 Hz	29
8000 Hz	18
TOTAL	45

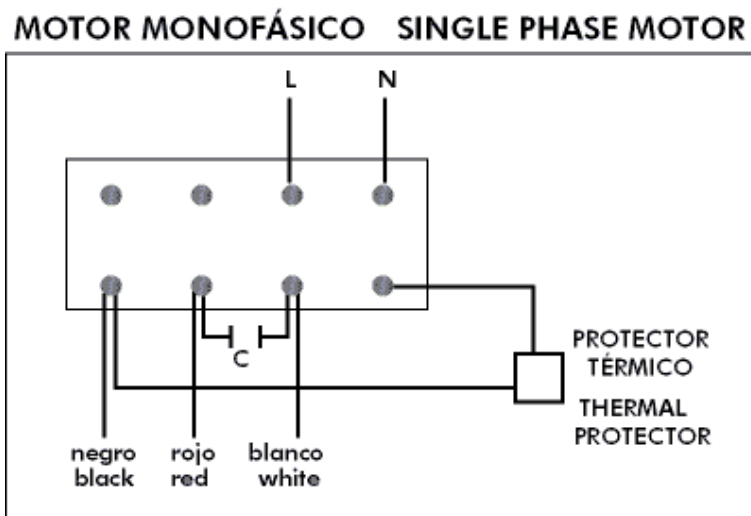
DIMENSIONS DIAGRAM



Dimensions (mm)

A	535	B	535	C	535	D	323	E	280
F	91	H	164	I	418	J	359	K	77
L	96,25	M	23	N	27				

WIRING DIAGRAM



ACCESSORIES



**SINGLE PHASE MANUAL SPEED CONTROLLER
REG 1.5A**
ref: 960710015



**SAFETY SWITCH
INT 6,5 1V**
ref: FX452508



**OUTLET GRAVITY SHUTTER
PI 25/25 (9/9)**
ref: 970250100



**INLET BLIND COVER
TCA7**
ref: 960001112



**INLET/OUTLET ROUND FLANGE
TIAC 2 (OUT)**
ref: 960001352



**INLET/OUTLET ROUND FLANGE
TIAC 13 (IN)**
ref: 960001363



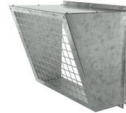
**FLANGE WITH BIRD GUARD
VIS IN 9**
ref: 960000052



**ACCESSORY TO CONNECT BOXES
BAC 2 (OUT)**
ref: 960002952



**ACCESSORY TO CONNECT BOXES
BAC 13 (IN)**
ref: 960002963



**FLANGE WITH BIRD GUARD
VIS OUT 9**
ref: 960000050