

BT ROOF 2 H 300 C

Series general data BT ROOF 2



BT ROOF 2

MANUFACTURING FEATURES

- Galvanized steel sheet housing.
- Housing protected with epoxy beige RAL 1015 finishing coat.
- Rotating cowl-motor-impeller set.
- Electrical connection in external box.
- Centrifugal backward curved impeller made of nylon, directly coupled.
- Variable speed by voltage.
- Asynchronous external rotor with thermal protector and greased for life ball bearings. IP-44 protection. Standard voltages single phase motor 230V 50Hz.

APPLICATIONS

- Specially designed for roof installation, they are suitable for:
- Air renewal in bathrooms and small closed environments.
 - Maximum working temperature: 50°C.

Series accessories BT ROOF 2



PE



INT

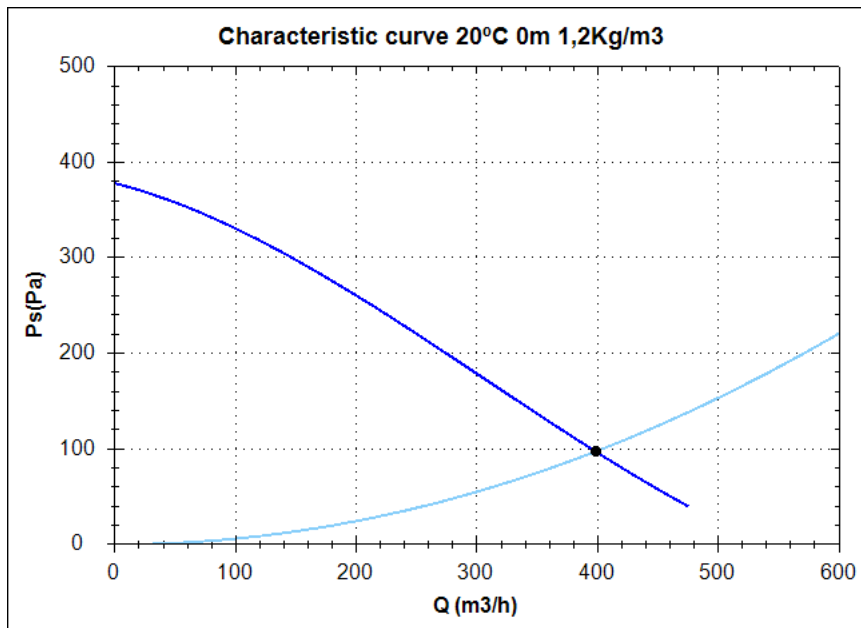


REG



CPM

Characteristic curve



Design point

Q (m ³ /h)	398,52
Ps(Pa)	97,44

Service point

Impeller rpm	2460
Max. temp.(°C)	50
Q (m ³ /h)	398,28
Ps(Pa)	97,32
Pd(Pa)	18,16
Pt(Pa)	115,48
Air speed(m/s)	5,50

Technical data

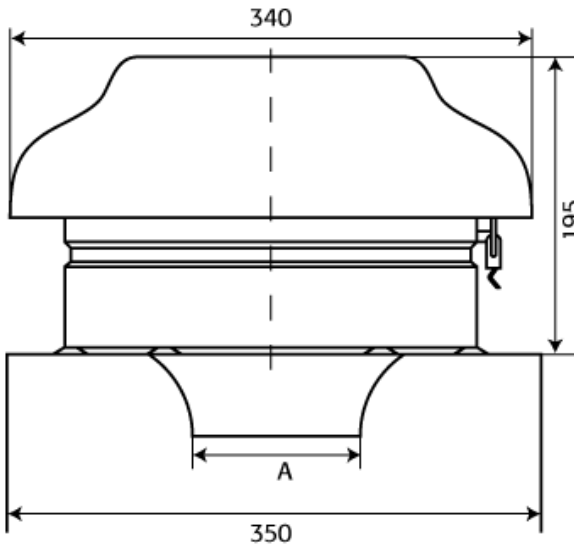
Impeller rpm	2460
Motor rpm	2460
Approx. weight(kg)	4,1
Maximum flow rate(m ³ /h)	475

Power(kW)	0,071
Imax 230V(A)	0,31
Imax 400V(A)	-
Imax 690V(A)	-

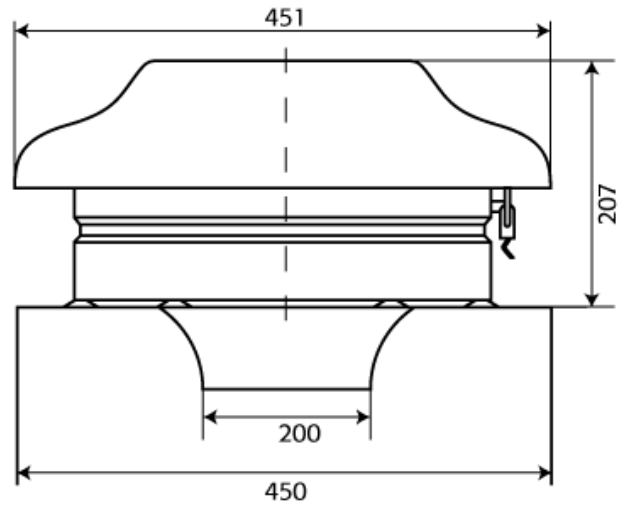
BT ROOF 2 H 300 C

dimensions diagram

BT ROOF 2 300



BT ROOF 2 400



Dimensions (mm)

ØA=160

Wiring diagram

