

# CHELYS 125S

## Series general data CHELYS



Mixflow, polypropylene casing and impeller

### MANUFACTURING FEATURES:

- In-line mixed-flow fan in plastic casing.
- Casing made of high quality durable ABS plastic (Chelys 100-200) or fire resistant polypropylene (Chelys 250-315). Model 125S is provided with a stronger motor. Model 355 is supplied in grey colour.
- Motor with impeller and terminal box fixed on the casing by means of special clamps with latches, designed to be easily dismantled without tools.
- One phase motor, 2 speeds, with ball bearings. Standard voltages 230V 50Hz.

### APPLICATIONS

- Designed for inline installation, they are suitable for:
- Air renewal in bathrooms and small closed environments.
  - Maximum working temperature: 50 °C.
  - 60Hz check availability.

### AVAILABLE ON REQUEST:

- Timer

## Series accessories CHELYS



INT



PE

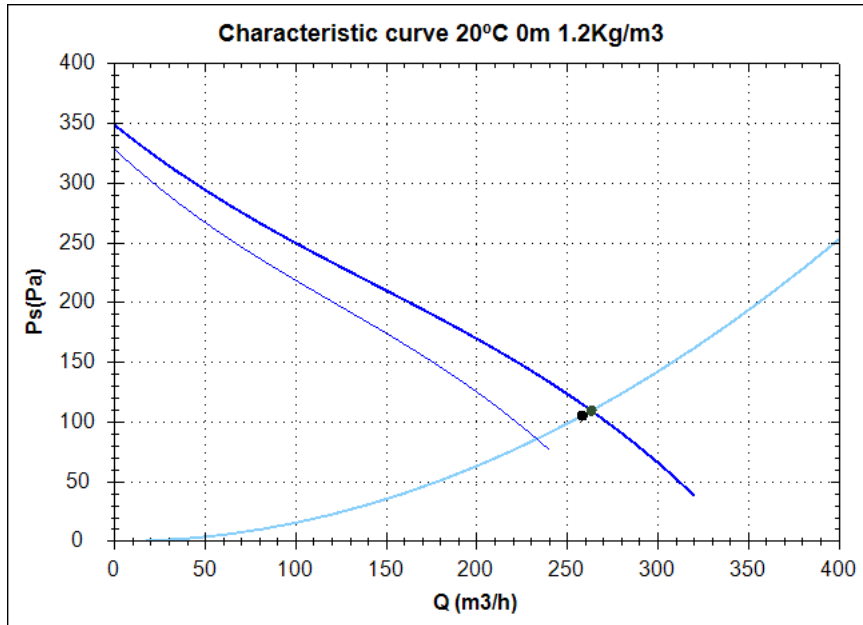


CPM



INT 3V

## Characteristic curve



### Design point

Q (m <sup>3</sup> /h)	258.16
Ps(Pa)	105.39

### Service point

Impeller rpm	2510
Max. temp.(°C)	50
Q (m <sup>3</sup> /h)	263.22
Ps(Pa)	109.56
Pd(Pa)	22.71
Pt(Pa)	132.27
Air speed(m/s)	6.15
SWL dB(A)	50 (INDUCT)
SPL dB(A)	36 (INDUCT)
Distance(m)	1.5

## Technical data

Impeller rpm	2510
Motor rpm	1850/2510
Approx. weight(kg)	3
Maximum flow rate(m <sup>3</sup> /h)	240/320

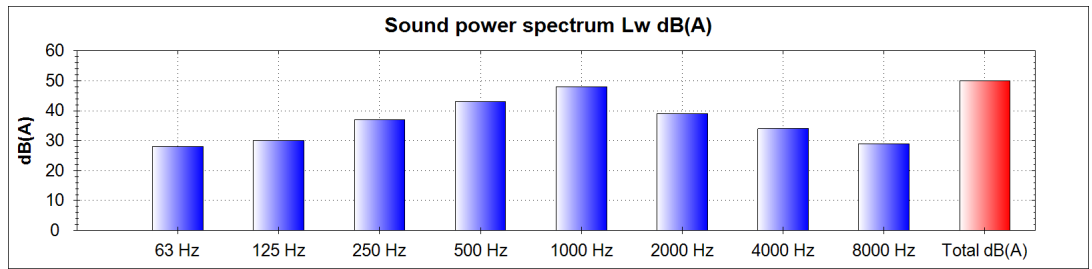
Power(kW)	0,028/0,054
I <sub>max</sub> 230V(A)	0,12/0,16
I <sub>max</sub> 400V(A)	-
I <sub>max</sub> 690V(A)	-

# CHELYS 125S

## Acoustics to the service point (INDUCT)

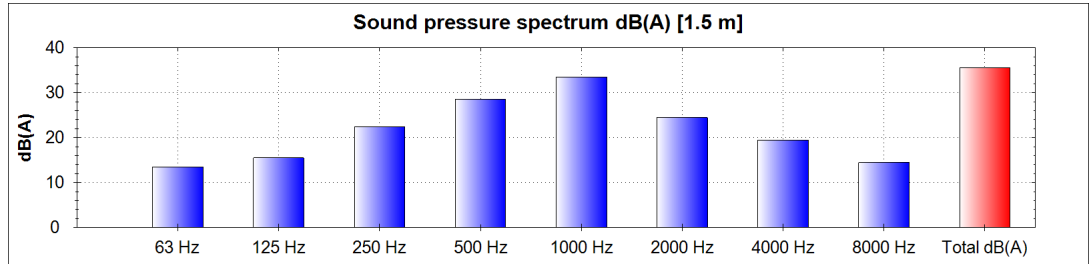
### Power dB(A)

63 Hz	28
125 Hz	30
250 Hz	37
500 Hz	43
1000 Hz	48
2000 Hz	39
4000 Hz	34
8000 Hz	29
Total dB(A)	50

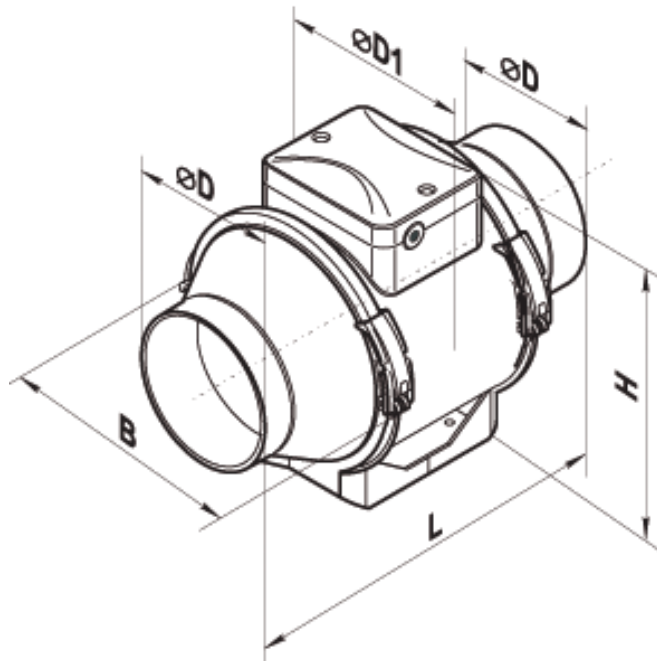


### Pressure dB(A) [1.5 m]

63 Hz	13
125 Hz	15
250 Hz	22
500 Hz	28
1000 Hz	33
2000 Hz	24
4000 Hz	19
8000 Hz	14
Total dB(A)	36



## dimensions diagram



### Dimensions (mm)

B=223	H=250	L=295	ØD=123	ØD1=195
-------	-------	-------	--------	---------

## Wiring diagram

