

# HB 50 T6 0,25kW (A0, 6p)

## Series general data HB / HBA PERFIL A0



### MANUFACTURING FEATURES:

- Plate axial fan with circular reinforced frame.
- Motor-impeller modular assembly for complete versatility.
- Epoxy powder finishing coat.
- Standard asynchronous squirrel-cage motor with IP-55 protection and Class F insulation. Manufactured with standard voltages: 230V 50Hz in single phase motors and 230/400V 50Hz in three phase, motors up to 4kW and 400/690V 50Hz for higher powers.
- HB: Polyamide impeller with variable pitch angle reinforced with fiberglass
- HBA: Cast aluminum impeller with variable pitch angle.

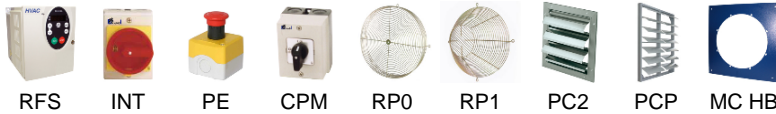
### APPLICATIONS:

- Designed for wall or duct installation, they are suitable for:
- Air renewal in buildings and industries.
- Maximum working temperature: 1ph 50°C, 3ph 60°C.

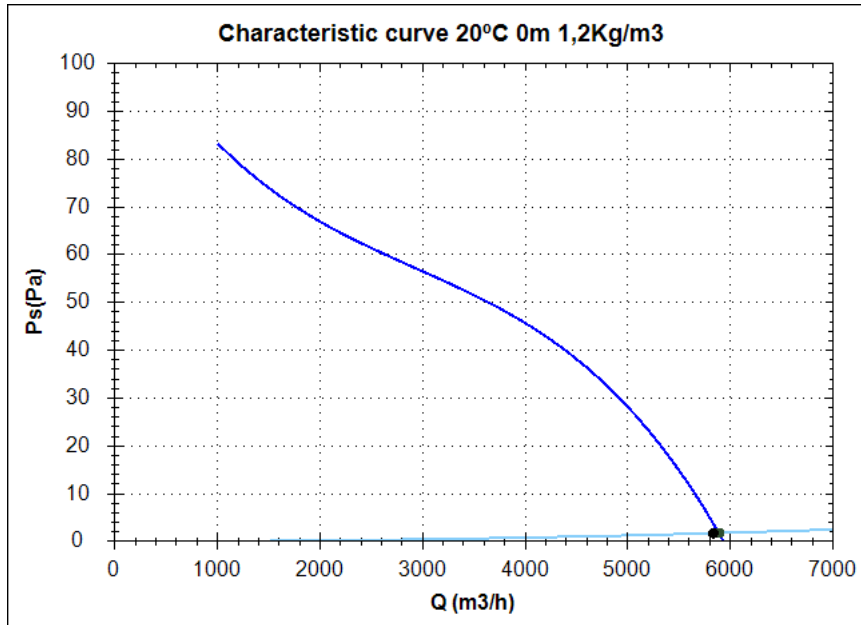
### UNDER REQUEST:

- Supply impeller (air direction from impeller to motor), 100% reversible impeller.
- 60Hz fans and special voltages.
- Hot-dipped galvanized or stainless steel housing.
- Optional square plate in circular frame.

## Series accessories HB / HBA PERFIL A0



## Characteristic curve



### Design point

Q (m <sup>3</sup> /h)	5831,65
Ps(Pa)	1,75

### Service point

Impeller rpm	1000
Max. temp.(°C)	60
Q (m <sup>3</sup> /h)	5888,93
Ps(Pa)	1,78
Pd(Pa)	36,99
Pt(Pa)	38,77
Air speed(m/s)	7,85
SWL dB(A)	82 (INLET)
SPL dB(A)	68 (INLET)
Distance(m)	1,5

## Technical data

Impeller rpm	1000
Motor rpm	1000
Approx. weight(kg)	19
Maximum flow rate(m <sup>3</sup> /h)	5960

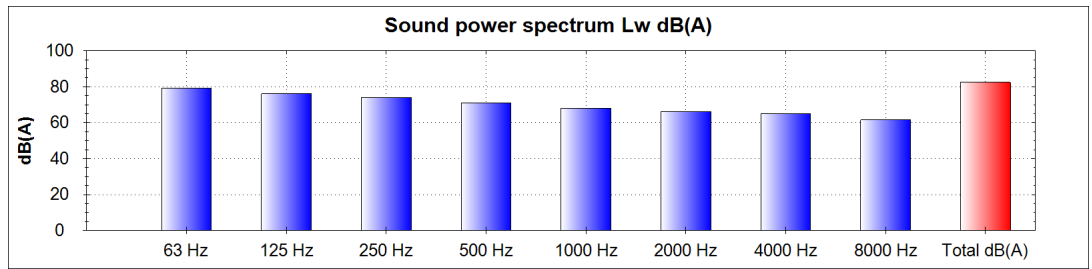
Power(kW)	0,25
Imax 230V(A)	1,51
Imax 400V(A)	0,87
Imax 690V(A)	-

# HB 50 T6 0,25kW (A0, 6p)

## Acoustics to the service point (INLET)

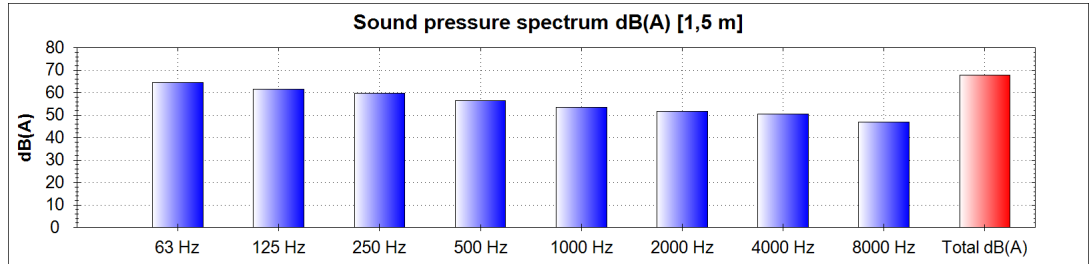
### Power dB(A)

63 Hz	79
125 Hz	76
250 Hz	74
500 Hz	71
1000 Hz	68
2000 Hz	66
4000 Hz	65
8000 Hz	61
Total dB(A)	82

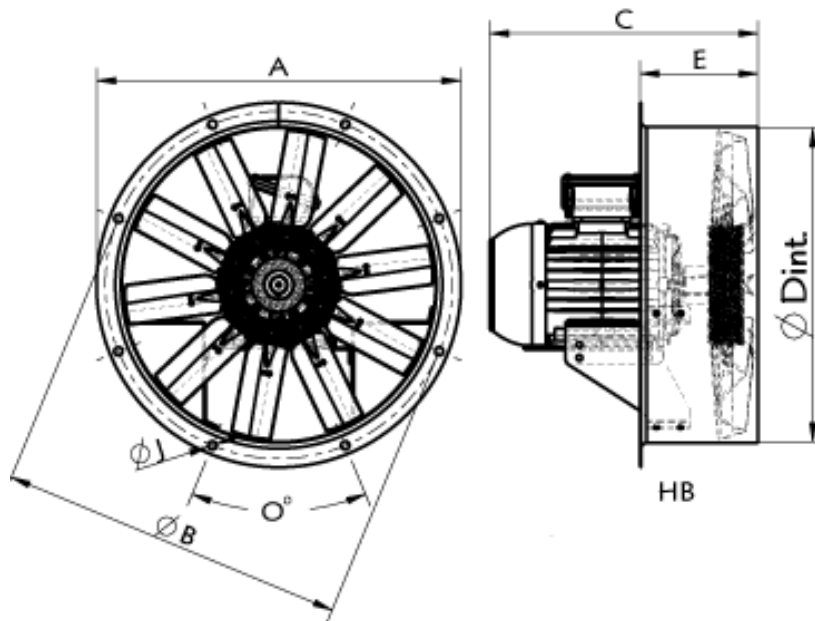


### Pressure dB(A) [1,5 m]

63 Hz	65
125 Hz	62
250 Hz	60
500 Hz	56
1000 Hz	54
2000 Hz	52
4000 Hz	51
8000 Hz	47
Total dB(A)	68



## dimensions diagram



### Dimensions (mm)

C = 338	E = 170	O = 12x30°	ØA = 600	ØB = 560	ØDint = 504	ØJ = 12
---------	---------	------------	----------	----------	-------------	---------

## Wiring diagram

