

HB 56 T4 1,1kW (A2, 6p)

Series general data HB / HBA PERFIL A2



MANUFACTURING FEATURES:

- Plate axial fan with circular reinforced frame.
- Motor-impeller modular assembly for complete versatility.
- Epoxy powder finishing coat.
- Standard asynchronous squirrel-cage motor with IP-55 protection and Class F insulation. Manufactured with standard voltages: 230V 50Hz in single phase motors and 230/400V 50Hz in three phase, motors up to 4kW and 400/690V 50Hz for higher powers.
- HB: Polyamide impeller with variable pitch angle reinforced with fiberglass
- HBA: Cast aluminum impeller with variable pitch angle.

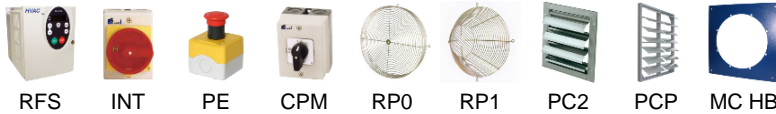
APPLICATIONS:

- Designed for wall or duct installation, they are suitable for:
- Air renewal in buildings and industries.
- Maximum working temperature: 1ph 50°C, 3ph 60°C.

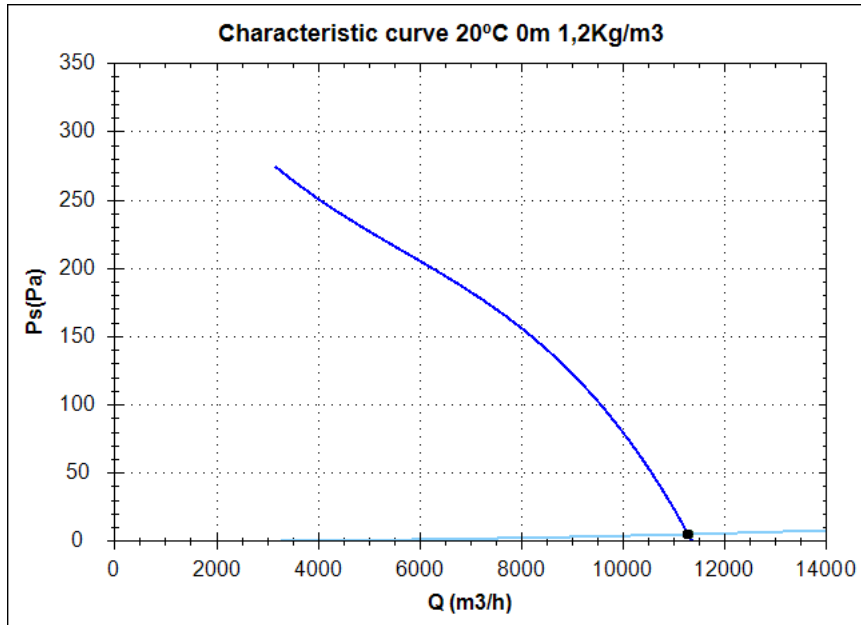
UNDER REQUEST:

- Supply impeller (air direction from impeller to motor), 100% reversible impeller.
- 60Hz fans and special voltages.
- Hot-dipped galvanized or stainless steel housing.
- Optional square plate in circular frame.

Series accessories HB / HBA PERFIL A2



Characteristic curve



Design point

Q (m ³ /h)	11259,89
Ps(Pa)	5,33

Service point

Impeller rpm	1500/35°
Max. temp.(°C)	60
Q (m ³ /h)	11275,96
Ps(Pa)	5,35
Pd(Pa)	97,01
Pt(Pa)	102,35
Air speed(m/s)	12,72
SWL dB(A)	85 (INLET)
SPL dB(A)	71 (INLET)
Distance(m)	1,5

Technical data

Impeller rpm	1500/35°
Motor rpm	
Approx. weight(kg)	45 + motor

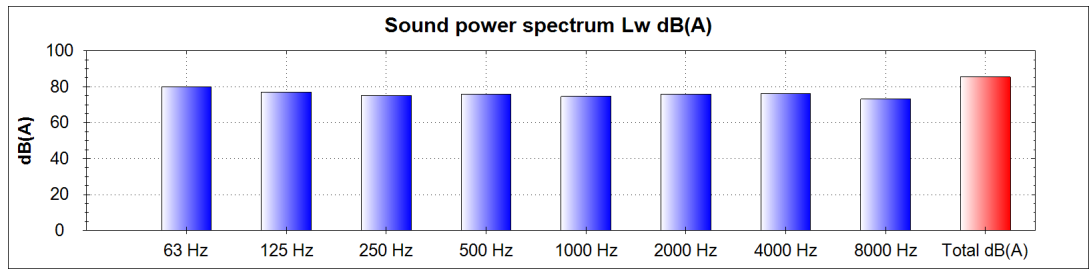
Power(kW)	
Imax 230V(A)	
Imax 400V(A)	
Imax 690V(A)	

HB 56 T4 1,1kW (A2, 6p)

Acoustics to the service point (INLET)

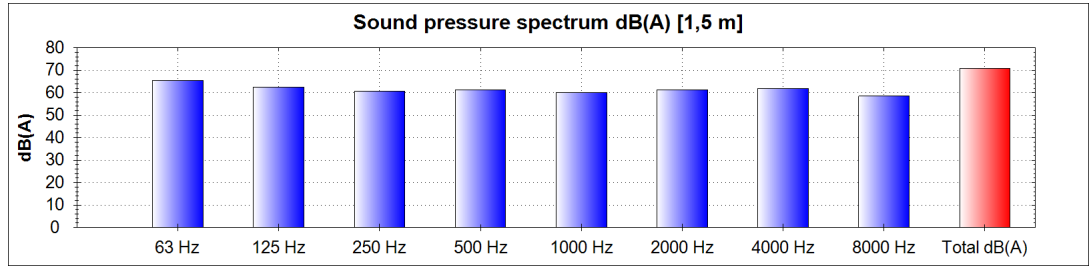
Power dB(A)

63 Hz	80
125 Hz	77
250 Hz	75
500 Hz	76
1000 Hz	75
2000 Hz	76
4000 Hz	76
8000 Hz	73
Total dB(A)	85

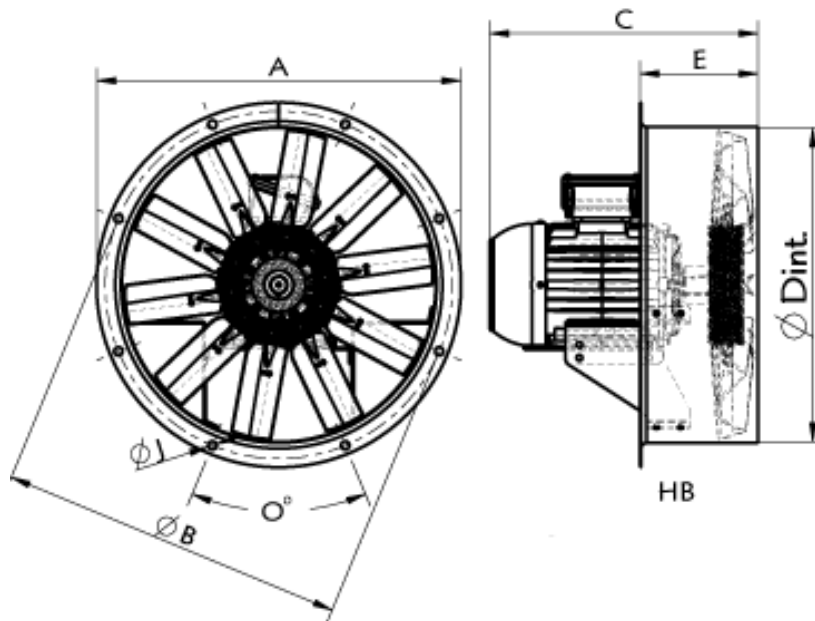


Pressure dB(A) [1,5 m]

63 Hz	66
125 Hz	63
250 Hz	61
500 Hz	61
1000 Hz	60
2000 Hz	61
4000 Hz	62
8000 Hz	59
Total dB(A)	71



dimensions diagram



Dimensions (mm)

C = 362	E = 185	O = 12x30°	ØA = 646	ØB = 620	ØDint = 633	ØJ = 12
---------	---------	------------	----------	----------	-------------	---------

Wiring diagram

