

HC 35 M4 0,12kW (A0, 6p)

Series general data HC / HCA PERFIL A0



MANUFACTURING FEATURES:

- Axial fan short casing with circular reinforced frame.
- Modular motor-impeller assembly. Cast aluminium impeller with variable pitch angle. Epoxy powder finishing coat.
- Standard asynchronous squirrel-cage motor with IP-55 protection and Class F insulation. Manufactured with standard voltages: 230V 50Hz in single phase motors and 230/400V 50Hz in three phase, motors up to 4kW and 400/690V 50Hz for higher powers.
- HC: Polyamide impeller with variable pitch angle reinforced with fiberglass
- HCA: Cast aluminium impeller with variable pitch angle.

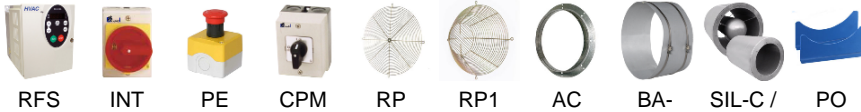
APPLICATIONS:

- Designed for wall or duct installation, they are suitable for:
- Air renewal in buildings and industries.
- Maximum working temperature: 1ph 50°C, 3ph 60°C.

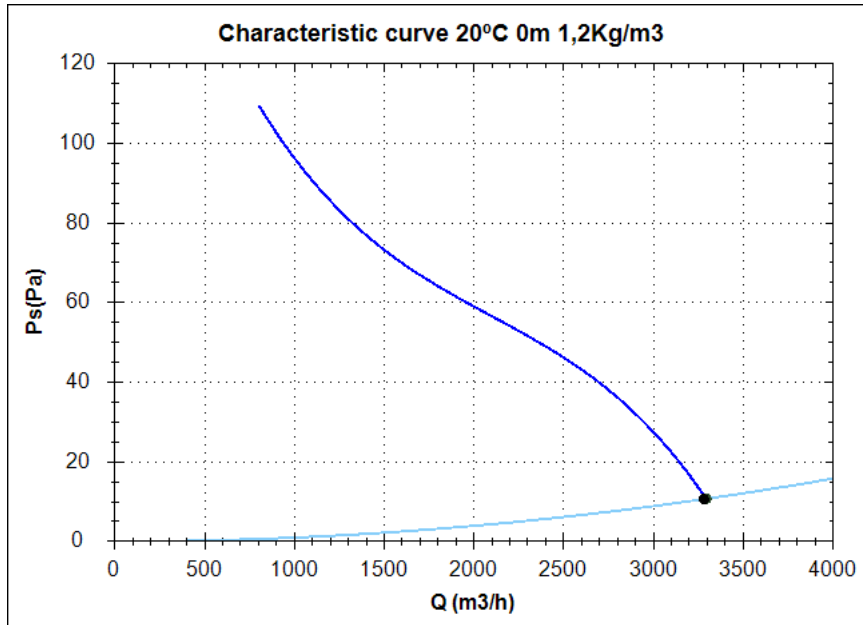
UNDER REQUEST:

- Supply impeller (air direction from impeller to motor), 100% reversible impeller.
- 60Hz fans and special voltages.
- Hot-dipped galvanized or stainless steel housing.

Series accessories HC / HCA PERFIL A0



Characteristic curve



Design point

Q (m ³ /h)	3280,62
Ps(Pa)	10,65

Service point

Impeller rpm	1500
Max. temp.(°C)	50
Q (m ³ /h)	3294,75
Ps(Pa)	10,74
Pd(Pa)	47,96
Pt(Pa)	58,69
Air speed(m/s)	8,94
SWL dB(A)	75 (INLET)
SPL dB(A)	60 (INLET)
Distance(m)	1,5

Technical data

Impeller rpm	1500
Motor rpm	1500
Approx. weight(kg)	10
Maximum flow rate(m ³ /h)	3300

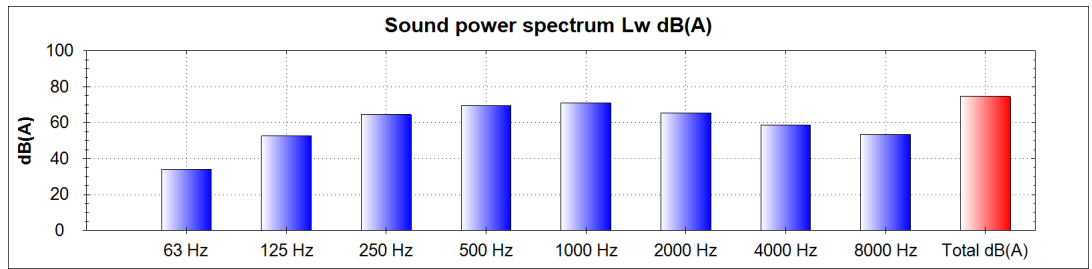
Power(kW)	0,12
Imax 230V(A)	1,1
Imax 400V(A)	-
Imax 690V(A)	-

HC 35 M4 0,12kW (A0, 6p)

Acoustics to the service point (INLET)

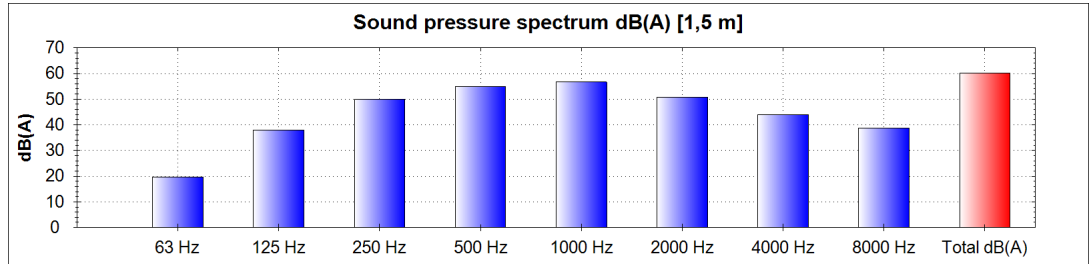
Power dB(A)

63 Hz	34
125 Hz	53
250 Hz	65
500 Hz	69
1000 Hz	71
2000 Hz	65
4000 Hz	59
8000 Hz	53
Total dB(A)	75

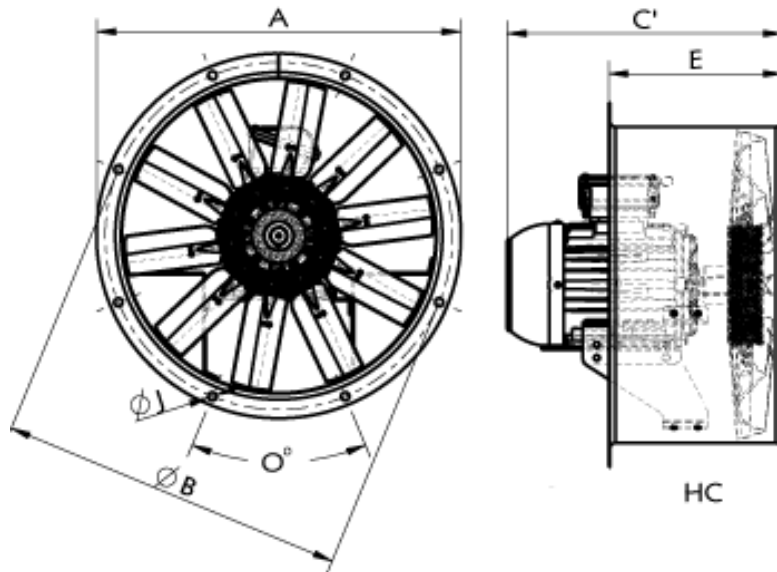


Pressure dB(A) [1,5 m]

63 Hz	20
125 Hz	38
250 Hz	50
500 Hz	55
1000 Hz	57
2000 Hz	51
4000 Hz	44
8000 Hz	39
Total dB(A)	60



dimensions diagram



Dimensions (mm)

C =308	E=250	O=8x45°	ØA=434	ØB=395	ØDint=365	ØJ=10
--------	-------	---------	--------	--------	-----------	-------

Wiring diagram

