

# HC 45 M4 0,37kW (A0, 6p)

## Series general data HC / HCA PERFIL A0



### MANUFACTURING FEATURES:

- Axial fan short casing with circular reinforced frame.
- Modular motor-impeller assembly. Cast aluminium impeller with variable pitch angle. Epoxy powder finishing coat.
- Standard asynchronous squirrel-cage motor with IP-55 protection and Class F insulation. Manufactured with standard voltages: 230V 50Hz in single phase motors and 230/400V 50Hz in three phase, motors up to 4kW and 400/690V 50Hz for higher powers.
- HC: Polyamide impeller with variable pitch angle reinforced with fiberglass
- HCA: Cast aluminium impeller with variable pitch angle.

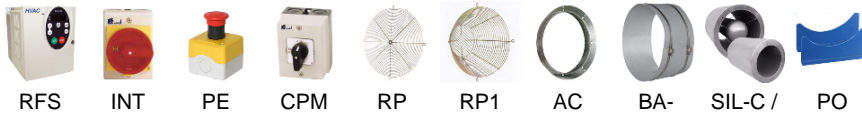
### APPLICATIONS:

- Designed for wall or duct installation, they are suitable for:
- Air renewal in buildings and industries.
  - Maximum working temperature: 1ph 50°C, 3ph 60°C.

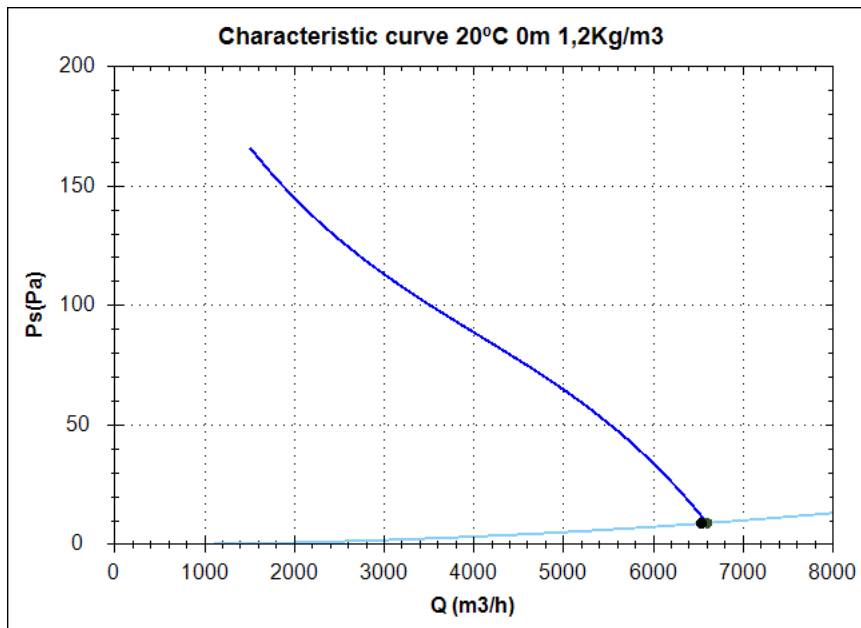
### UNDER REQUEST:

- Supply impeller (air direction from impeller to motor), 100% reversible impeller.
- 60Hz fans and special voltages.
- Hot-dipped galvanized or stainless steel housing.

## Series accessories HC / HCA PERFIL A0



## Characteristic curve



### Design point

Q (m3/h)	6535,37
Ps(Pa)	8,84

### Service point

Impeller rpm	1500
Max. temp.(°C)	50
Q (m3/h)	6599,06
Ps(Pa)	9,01
Pd(Pa)	72,97
Pt(Pa)	81,98
Air speed(m/s)	11,03
SWL dB(A)	78 (INLET)
SPL dB(A)	64 (INLET)
Distance(m)	1,5

## Technical data

Impeller rpm	1500
Motor rpm	1500
Approx. weight(kg)	17
Maximum flow rate(m3/h)	6610

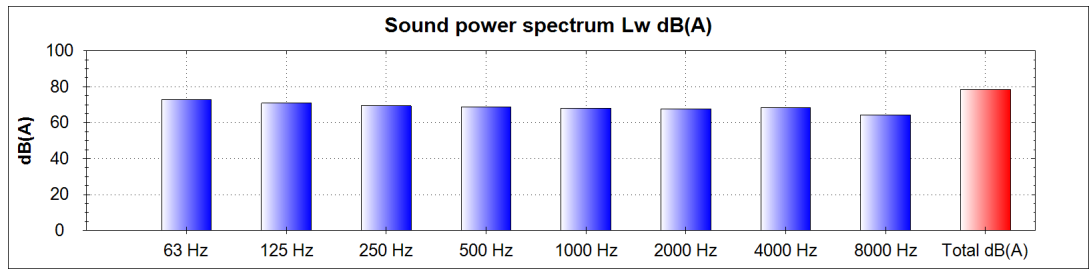
Power(kW)	0,37
Imax 230V(A)	2,77
Imax 400V(A)	-
Imax 690V(A)	-

# HC 45 M4 0,37kW (A0, 6p)

## Acoustics to the service point (INLET)

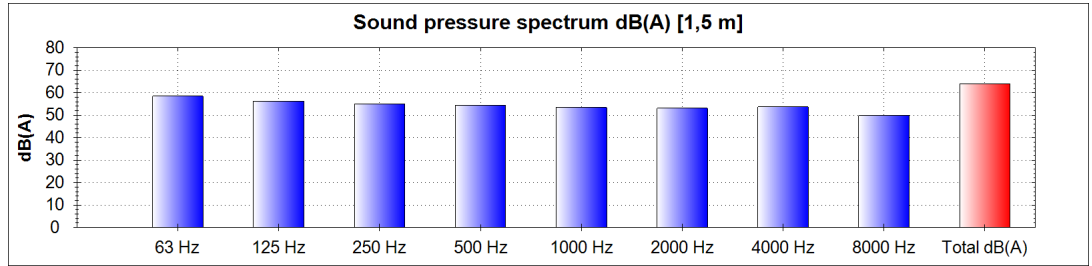
### Power dB(A)

63 Hz	73
125 Hz	71
250 Hz	69
500 Hz	69
1000 Hz	68
2000 Hz	68
4000 Hz	68
8000 Hz	64
Total dB(A)	78

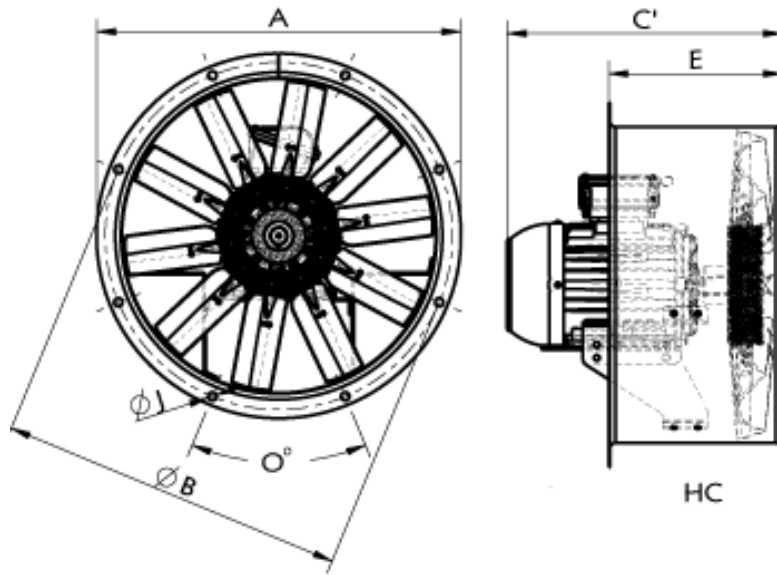


### Pressure dB(A) [1,5 m]

63 Hz	58
125 Hz	56
250 Hz	55
500 Hz	54
1000 Hz	53
2000 Hz	53
4000 Hz	54
8000 Hz	50
Total dB(A)	64



## dimensions diagram



### Dimensions (mm)

C = 348	E = 250	O = 12x30°	ØA = 525	ØB = 500	ØDint = 452	ØJ = 12
---------	---------	------------	----------	----------	-------------	---------

## Wiring diagram

