

HC 56 M4 0,55kW (A2, 6p)

Series general data HC / HCA PERFIL A2



MANUFACTURING FEATURES:

- Axial fan short casing with circular reinforced frame.
- Modular motor-impeller assembly. Cast aluminium impeller with variable pitch angle. Epoxy powder finishing coat.
- Standard asynchronous squirrel-cage motor with IP-55 protection and Class F insulation. Manufactured with standard voltages: 230V 50Hz in single phase motors and 230/400V 50Hz in three phase, motors up to 4kW and 400/690V 50Hz for higher powers.
- HC: Polyamide impeller with variable pitch angle reinforced with fiberglass
- HCA: Cast aluminium impeller with variable pitch angle.

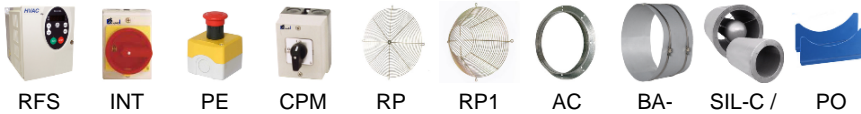
APPLICATIONS:

- Designed for wall or duct installation, they are suitable for:
- Air renewal in buildings and industries.
- Maximum working temperature: 1ph 50°C, 3ph 60°C.

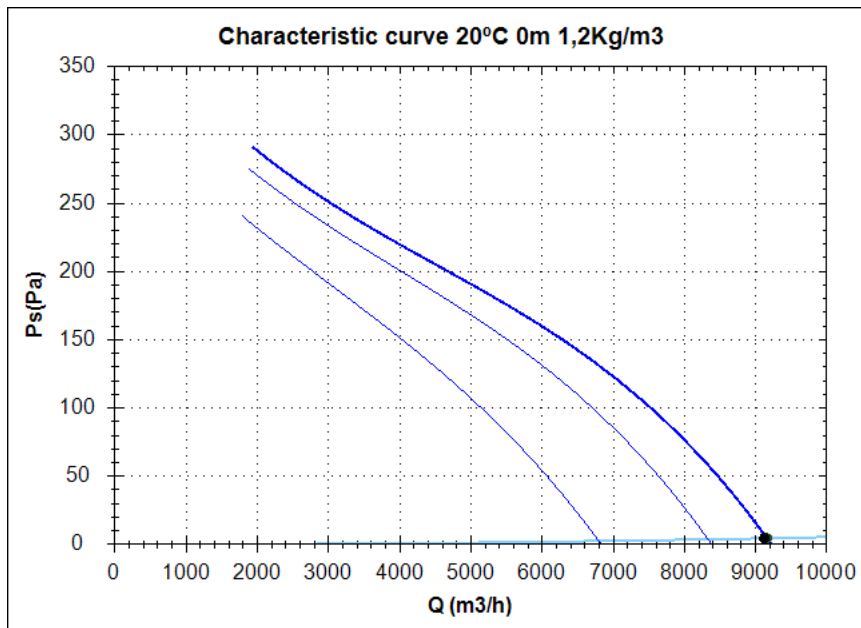
UNDER REQUEST:

- Supply impeller (air direction from impeller to motor), 100% reversible impeller.
- 60Hz fans and special voltages.
- Hot-dipped galvanized or stainless steel housing.

Series accessories HC / HCA PERFIL A2



Characteristic curve



Design point

Q (m ³ /h)	9119,18
Ps(Pa)	4,55

Service point

Impeller rpm	1500/28°
Max. temp.(°C)	60
Q (m ³ /h)	9159,84
Ps(Pa)	4,59
Pd(Pa)	64,01
Pt(Pa)	68,60
Air speed(m/s)	10,33
SWL dB(A)	85 (INLET)
SPL dB(A)	71 (INLET)
Distance(m)	1,5

Technical data

Impeller rpm	1500/28°
Motor rpm	
Approx. weight(kg)	47 + motor

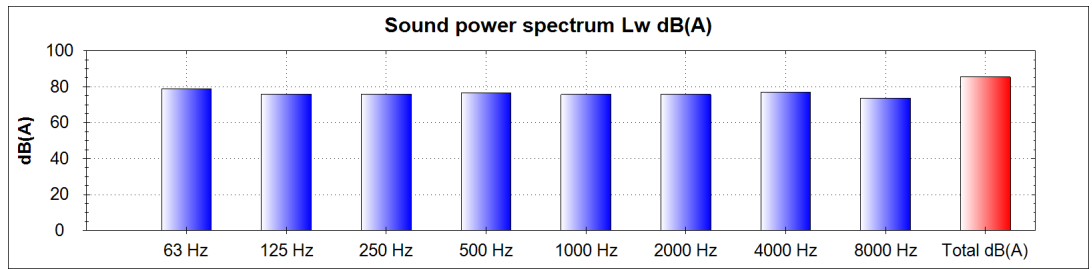
Power(kW)	
Imax 230V(A)	
Imax 400V(A)	
Imax 690V(A)	

HC 56 M4 0,55kW (A2, 6p)

Acoustics to the service point (INLET)

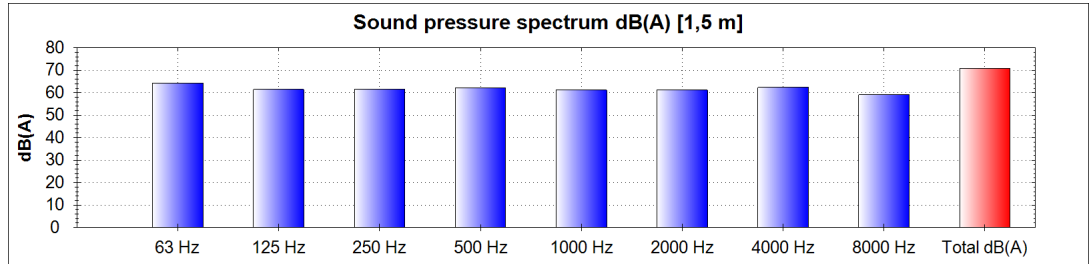
Power dB(A)

63 Hz	79
125 Hz	76
250 Hz	76
500 Hz	77
1000 Hz	76
2000 Hz	76
4000 Hz	77
8000 Hz	74
Total dB(A)	85

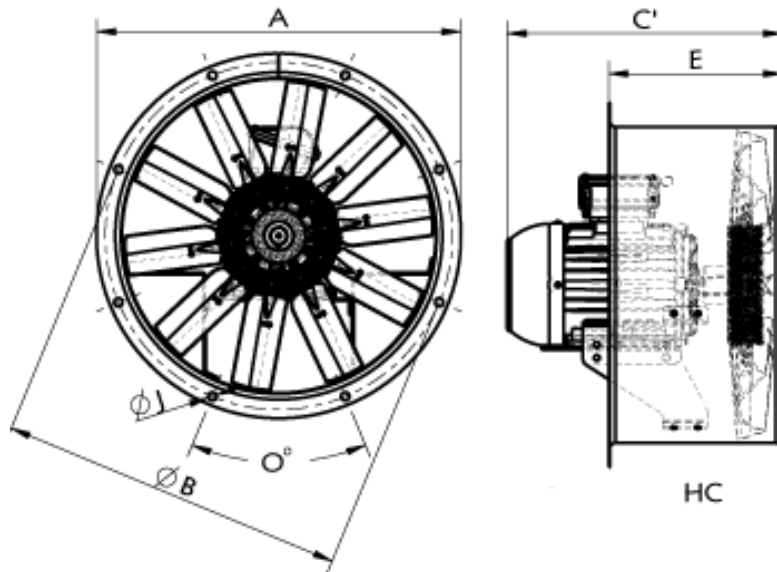


Pressure dB(A) [1,5 m]

63 Hz	64
125 Hz	61
250 Hz	61
500 Hz	62
1000 Hz	61
2000 Hz	61
4000 Hz	62
8000 Hz	59
Total dB(A)	71



dimensions diagram



Dimensions (mm)

C =362	E=250	O=12x30°	ØA=646	ØB=620	ØDint=559	ØJ=12
--------	-------	----------	--------	--------	-----------	-------

Wiring diagram

