

HJB 120 T4 1,1KW (509112244)

GENERAL DATA



BELT DRIVE AXIAL FAN FOR HUGE AIR FLOW

MANUFACTURING FEATURES:

- Completely made of galvanized steel sheet.
 - Equipped with gravity shutter.
 - Stainless steel impeller (AISI 304).
 - Protection grid on pulley area.
 - Standard asynchronous squirrel-cage motor with IP-55 protection and class F insulation.
- Manufactured with standard voltage: 230/400V 50Hz IE2
- Internal wiring box. Inspection door for motor access.

APPLICATIONS:

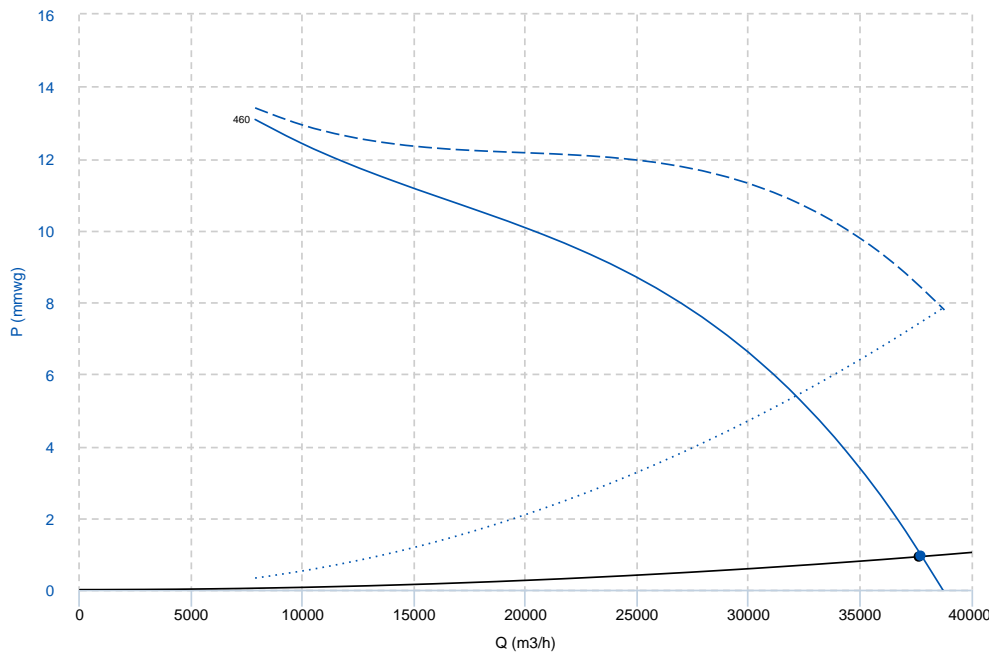
Designed for wall assembly, they are suitable for:

- Air renewal in buildings and industries.
- Farms and greenhouses.
- Maximum working temperature: 50°C.

UNDER REQUEST

60Hz fans

CHARACTERISTIC CURVE



Design point

Q (m ³ /h)	37692.31
P (mmwg)	0.92

Service point

RPM	460
Max temp. (°C)	60
Q (m ³ /h)	37769.33
Ps (mmwg)	0.95
Pd (mmwg)	7.45
Pt (mmwg)	8.4
Air speed (m/s)	11.04

20°C 0 m 1.2 Kg/m³

TECHNICAL DATA

fan

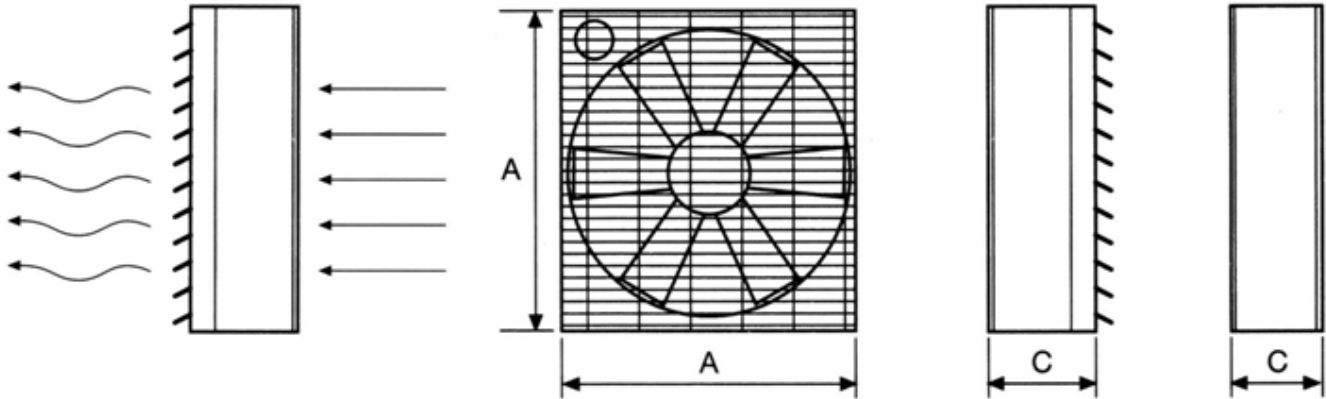
impeller rpm	1450	approx. weight	97 kg	max flow	38000 m ³ /h
--------------	------	----------------	-------	----------	-------------------------



motor

power 1.1 kW

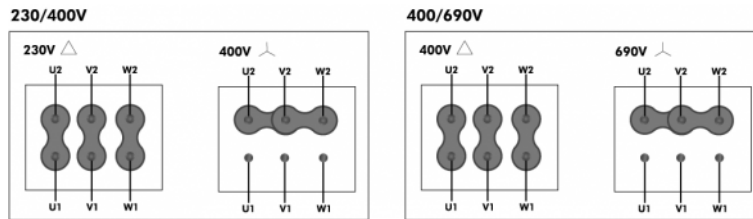
DIMENSIONS DIAGRAM



Dimensions (mm)

A 1220 C 400

WIRING DIAGRAM



ACCESSORIES



FREQUENCY SPEED CONTROLLER
RFS2 1,5kW
ref: 960002504



FREQUENCY SPEED CONTROLLER
RFS3 1,5kW
ref: 960002510



SAFETY SWITCH
INT 6,5 1V
ref: FX452508



STOP/START SWITCH
CPM 20
ref: FX381575



COMPACT STAICASE PRESSURISATION KIT
Easy KPE SP 1,5kW
ref: 508800106



COMPACT STAICASE PRESSURISATION KIT
Easy KPE TP 1,5kW
ref: 508800346