

HMF 90 T4 7,5kW (A4, 6p)

Series general data HMF A4



Long cased axial fan 400°C/2h

MANUFACTURING FEATURES:

- Long cased axial fan with reinforced body.
- Modular motor-impeller assembly. Cast aluminium impeller with variable pitch angle. Epoxy powder finishing coat.
- Housing with motor access door.
- Standard asynchronous squirrel-cage motor with IP-55 protection and Class H insulation certified 400°C/2h. Manufactured with standard voltages: 230/400V 50Hz in three phase motors, up to 4kW and 400/690V 50Hz for higher powers.

APPLICATIONS:

- Designed for inline installation, they are suitable for:
- Smoke emergency exhaust with motor inside the hazardous area.
 - Maximum working temperature: 60°C.

UNDER REQUEST:

- Supply impeller (air direction from impeller to motor).
- 100% reversible impeller.

Official homologation by the European laboratory APPLUS according to EN 12101-3:2002, EN 12101-3:2002/AC:2005

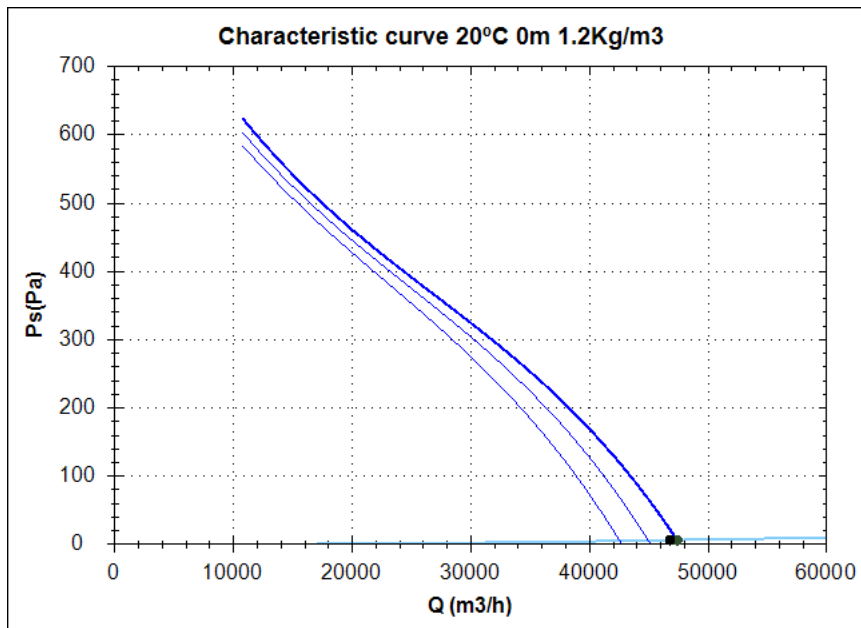
Certification Nr: 0370-CPD-0912

* You can find the certificate in the menu: " company/technical data/400°C/2h CE".

Series accessories HMF A4



Characteristic curve



Design point

Q (m ³ /h)	46775.3
Ps(Pa)	6.38

Service point

Impeller rpm	1500/40°
Max. temp.(°C)	60
Q (m ³ /h)	47385.91
Ps(Pa)	6.55
Pd(Pa)	256.78
Pt(Pa)	263.34
Air speed(m/s)	20.69
SWL dB(A)	99 (INLET)
SPL dB(A)	85 (INLET)
Distance(m)	1.5

Technical data

Impeller rpm	1500/40°
Motor rpm	
Approx. weight(kg)	167 + motor

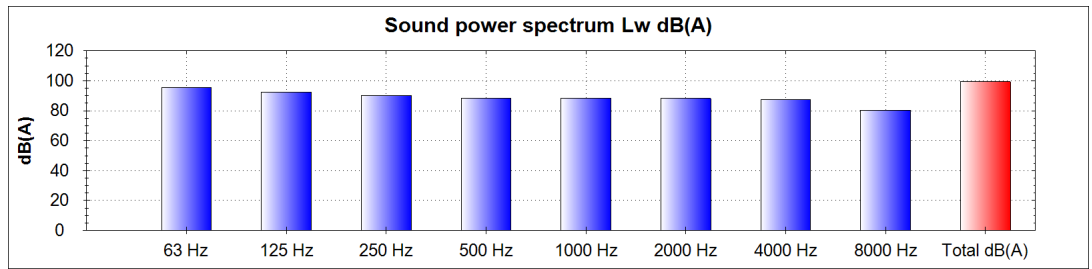
Power(kW)	
Imax 230V(A)	
Imax 400V(A)	
Imax 690V(A)	

HMF 90 T4 7,5kW (A4, 6p)

Acoustics to the service point (INLET)

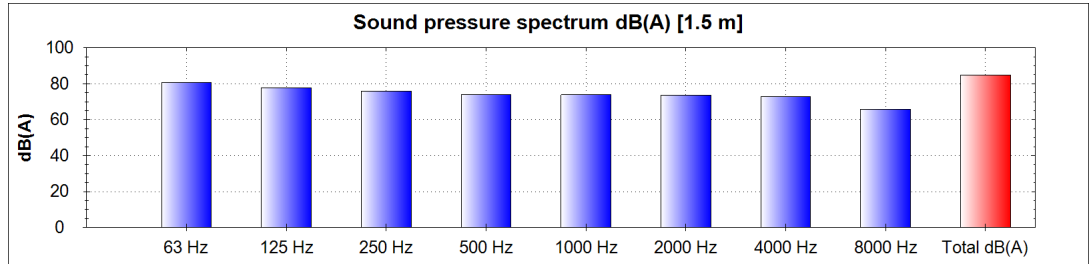
Power dB(A)

63 Hz	95
125 Hz	92
250 Hz	90
500 Hz	88
1000 Hz	88
2000 Hz	88
4000 Hz	87
8000 Hz	80
Total dB(A)	99

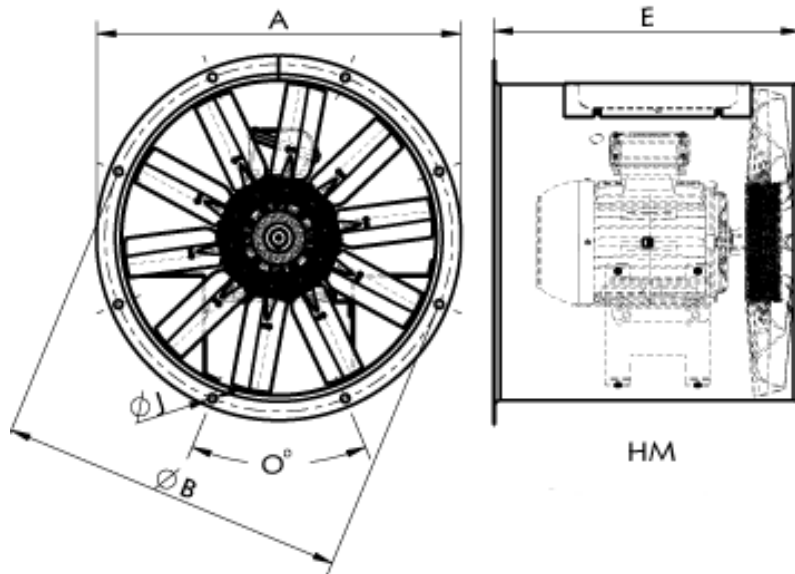


Pressure dB(A) [1.5 m]

63 Hz	81
125 Hz	78
250 Hz	76
500 Hz	74
1000 Hz	74
2000 Hz	74
4000 Hz	73
8000 Hz	66
Total dB(A)	85



dimensions diagram



Dimensions (mm)

E=820	O=16x22,5°	ØA=1000	ØB=970	ØDint=903,5	ØJ=12
-------	------------	---------	--------	-------------	-------

Wiring diagram

