

MB 14/5 M4 0,08kW

Series general data MB12/5-20/8



MANUFACTURING FEATURES:

- Rolling steel sheet housing.
- Completely joined or welded housing.
- Galvanised steel sheet single inlet forward curved impeller.
- Epoxy powder finishing coat.
- Standard asynchronous squirrel-cage motor with IP-55 protection and Class F insulation. Manufactured with standard voltages: 230V 50Hz in single phase motors and 230/400V 50Hz in three phase motors, up to 5,5HP and 400/690V 50Hz for higher powers.
- Standard position: LG 270.

APPLICATIONS:

- Designed for inline installation, they are suitable for:
- Industrial applications, extraction or injection of air.
 - Cooling of machines and parts.
 - Clean air transport.
 - Maximum working temperature: carried air: 130°C, ambient 1ph 50°C, 3ph 60°C.

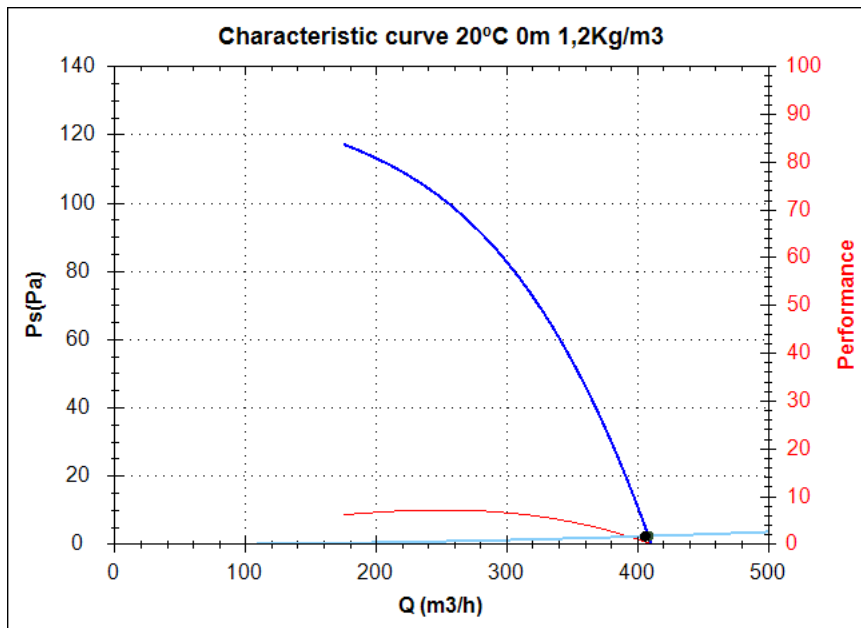
UNDER REQUEST:

- 60Hz fans and special voltages.
- 2 speed motors.
- Fans for air working temperatures up to 250°C.
- Fans provided with cooling disk for high temperature.
- Position: LG 0, LG 45, LG 90, LG 135, LG 180, LG 225, LG 315, RD 0, RD 45, RD 90, RD 135, RD 180, RD 225, RD 270, RD 315.

Series accessories MB12/5-20/8



Characteristic curve



Design point

Q (m ³ /h)	405,78
Ps(Pa)	2,44

Service point

Impeller rpm	1360
Max. temp.(°C)	130
Q (m ³ /h)	408,32
Ps(Pa)	2,47
Pd(Pa)	102,91
Pt(Pa)	105,39
Air speed(m/s)	13,10
Perf.(%)	0,28
SWL dB(A)	73 (INLET)
SPL dB(A)	58 (INLET)
Distance(m)	1,5

Technical data

Impeller rpm	1360
Motor rpm	
Approx. weight(kg)	6
Maximum flow rate(m ³ /h)	420

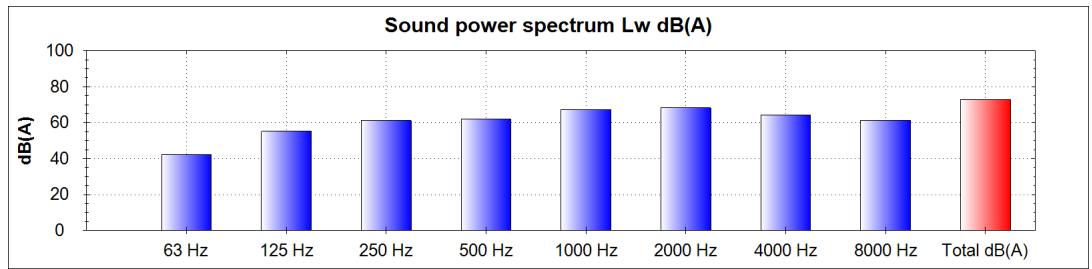
Power(kW)	0,08
Imax 230V(A)	0,9
Imax 400V(A)	-
Imax 690V(A)	-

MB 14/5 M4 0,08kW

Acoustics to the service point (INLET)

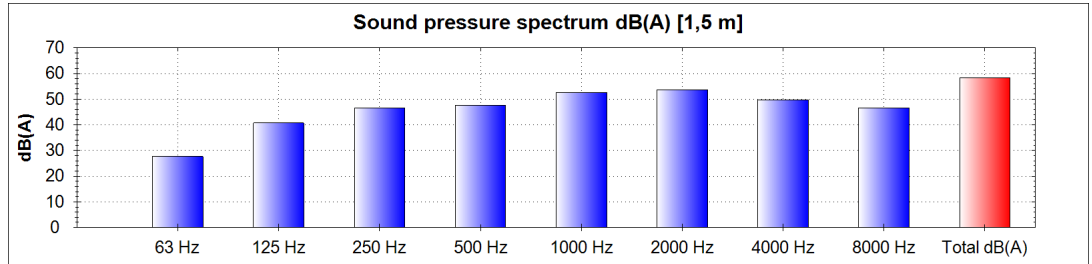
Power dB(A)

63 Hz	42
125 Hz	55
250 Hz	61
500 Hz	62
1000 Hz	67
2000 Hz	68
4000 Hz	64
8000 Hz	61
Total dB(A)	73

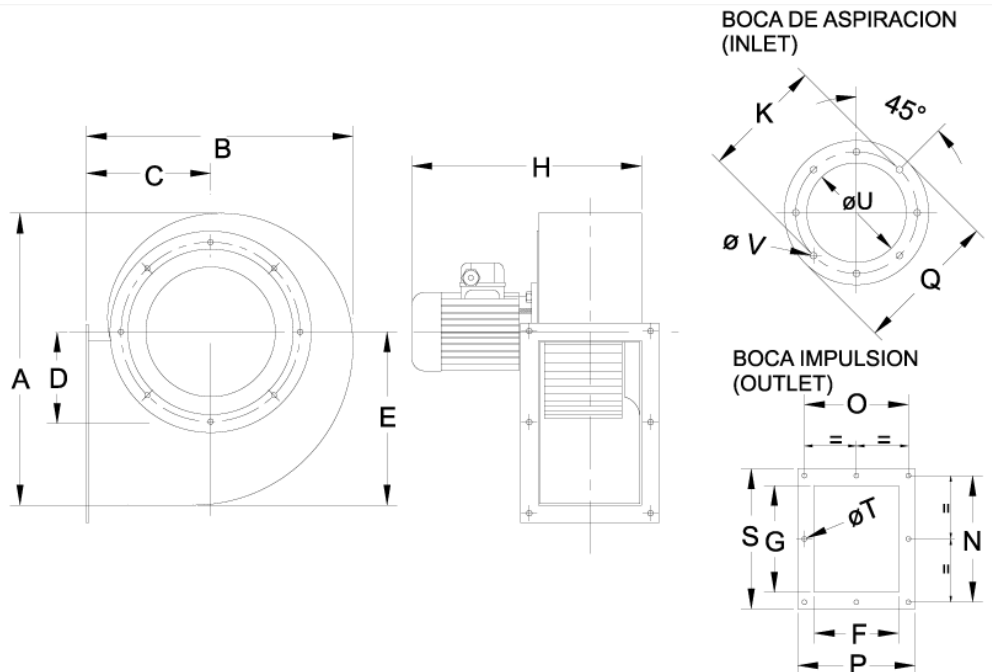


Pressure dB(A) [1,5 m]

63 Hz	28
125 Hz	41
250 Hz	47
500 Hz	48
1000 Hz	53
2000 Hz	54
4000 Hz	50
8000 Hz	47
Total dB(A)	58



dimensions diagram



Dimensions (mm)

A=249	B=222	C=100	D=91	E=147	F=80	G=105	H=280	K=162	N=128	O=105	P=123
Q=175	S=147	TØ=7	UØ=105	VØ=7							

Wiring diagram

