

# MB 14/5 T2 0,25kW

## Series general data MB12/5-20/8



### MANUFACTURING FEATURES:

- Rolling steel sheet housing.
- Completely joined or welded housing.
- Galvanised steel sheet single inlet forward curved impeller.
- Epoxy powder finishing coat.
- Standard asynchronous squirrel-cage motor with IP-55 protection and Class F insulation. Manufactured with standard voltages: 230V 50Hz in single phase motors and 230/400V 50Hz in three phase motors, up to 5,5HP and 400/690V 50Hz for higher powers.
- Standard position: LG 270.

### APPLICATIONS:

- Designed for inline installation, they are suitable for:
- Industrial applications, extraction or injection of air.
  - Cooling of machines and parts.
  - Clean air transport.
  - Maximum working temperature: carried air: 130°C, ambient 1ph 50°C, 3ph 60°C.

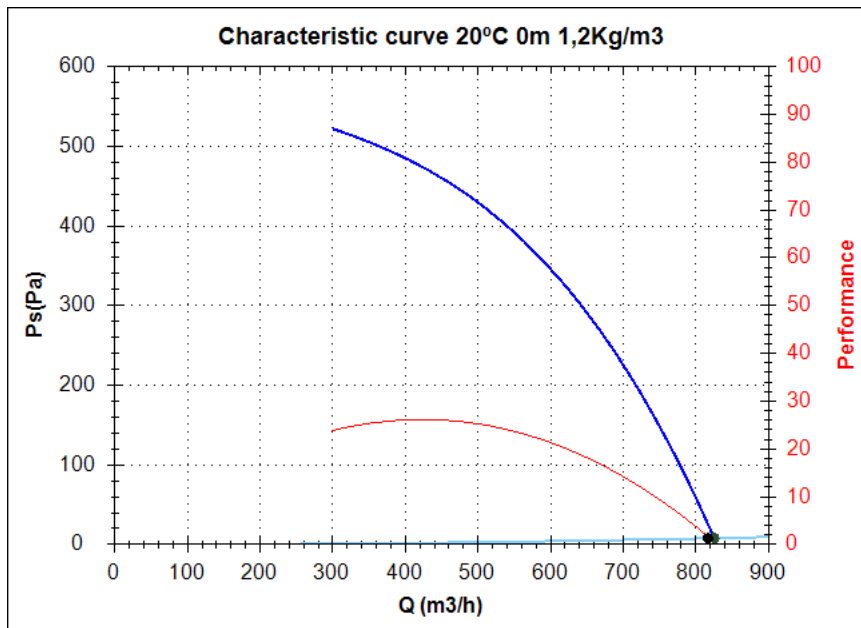
### UNDER REQUEST:

- 60Hz fans and special voltages.
- 2 speed motors.
- Fans for air working temperatures up to 250°C.
- Fans provided with cooling disk for high temperature.
- Position: LG 0, LG 45, LG 90, LG 135, LG 180, LG 225, LG 315, RD 0, RD 45, RD 90, RD 135, RD 180, RD 225, RD 270, RD 315.

## Series accessories MB12/5-20/8



## Characteristic curve



### Design point

Q (m <sup>3</sup> /h)	816,69
Ps(Pa)	7,8

### Service point

Impeller rpm	2800
Max. temp.(°C)	130
Q (m <sup>3</sup> /h)	825,47
Ps(Pa)	7,97
Pd(Pa)	420,62
Pt(Pa)	428,59
Air speed(m/s)	26,48
Perf.(%)	0,61
SWL dB(A)	84 (INLET)
SPL dB(A)	70 (INLET)
Distance(m)	1,5

## Technical data

Impeller rpm	2800
Motor rpm	
Approx. weight(kg)	7
Maximum flow rate(m <sup>3</sup> /h)	830

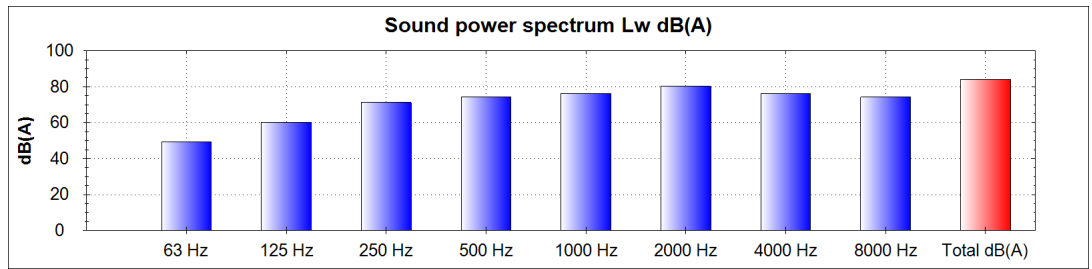
Power(kW)	0,25
Imax 230V(A)	1,17
Imax 400V(A)	1,68
Imax 690V(A)	-

# MB 14/5 T2 0,25kW

## Acoustics to the service point (INLET)

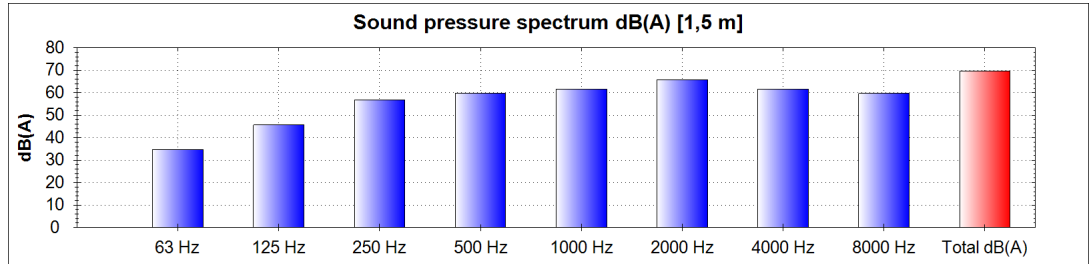
### Power dB(A)

63 Hz	49
125 Hz	60
250 Hz	71
500 Hz	74
1000 Hz	76
2000 Hz	80
4000 Hz	76
8000 Hz	74
Total dB(A)	84

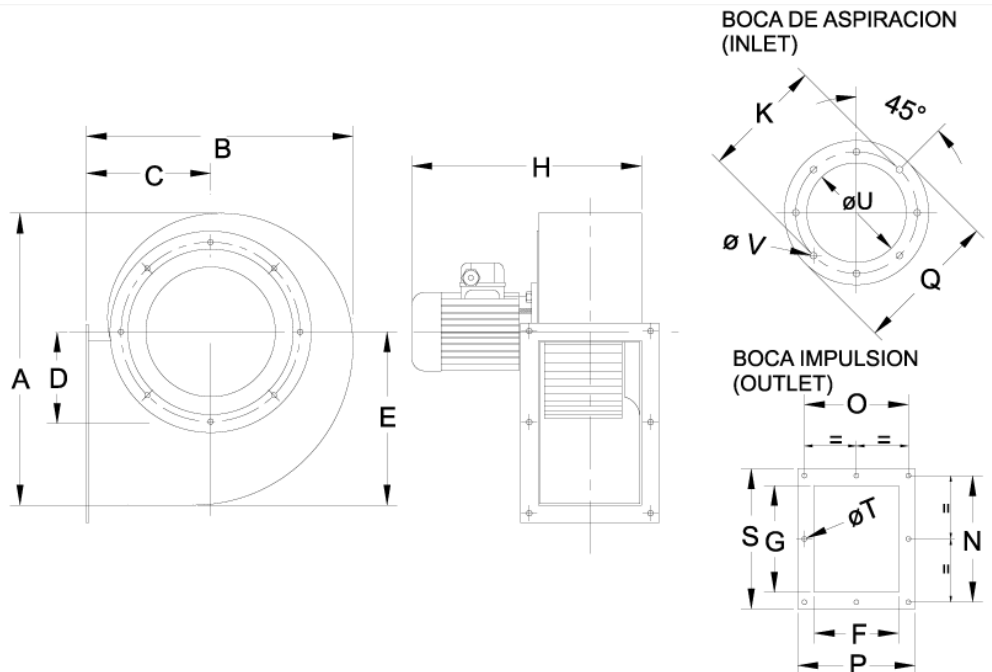


### Pressure dB(A) [1,5 m]

63 Hz	35
125 Hz	46
250 Hz	57
500 Hz	60
1000 Hz	62
2000 Hz	66
4000 Hz	62
8000 Hz	60
Total dB(A)	70



## dimensions diagram



### Dimensions (mm)

A=249	B=222	C=100	D=91	E=147	F=80	G=105	H=280	K=162	N=128	O=105	P=123
Q=175	S=147	T∅=7	U∅=105	V∅=7							

## Wiring diagram

