

MB 18/7 T2 0,75kW

Series general data MB12/5-20/8



MANUFACTURING FEATURES:

- Rolling steel sheet housing.
- Completely joined or welded housing.
- Galvanised steel sheet single inlet forward curved impeller.
- Epoxy powder finishing coat.
- Standard asynchronous squirrel-cage motor with IP-55 protection and Class F insulation. Manufactured with standard voltages: 230V 50Hz in single phase motors and 230/400V 50Hz in three phase motors, up to 5,5HP and 400/690V 50Hz for higher powers.
- Standard position: LG 270.

APPLICATIONS:

- Designed for inline installation, they are suitable for:
- Industrial applications, extraction or injection of air.
 - Cooling of machines and parts.
 - Clean air transport.
 - Maximum working temperature: carried air: 130°C, ambient 1ph 50°C, 3ph 60°C.

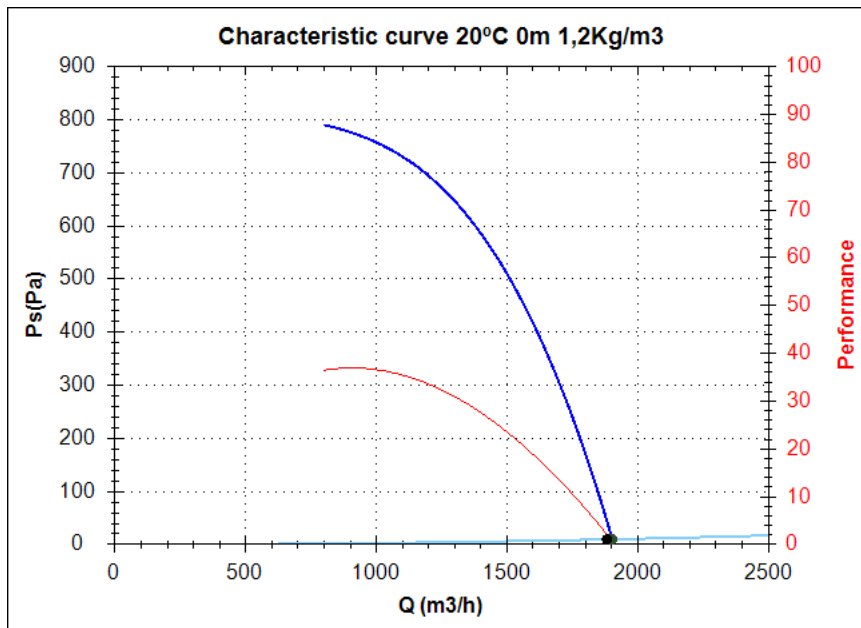
UNDER REQUEST:

- 60Hz fans and special voltages.
- 2 speed motors.
- Fans for air working temperatures up to 250°C.
- Fans provided with cooling disk for high temperature.
- Position: LG 0, LG 45, LG 90, LG 135, LG 180, LG 225, LG 315, RD 0, RD 45, RD 90, RD 135, RD 180, RD 225, RD 270, RD 315.

Series accessories MB12/5-20/8



Characteristic curve



Design point

Q (m ³ /h)	1882,45
Ps(Pa)	9,7

Service point

Impeller rpm	2800
Max. temp.(°C)	130
Q (m ³ /h)	1902,93
Ps(Pa)	9,91
Pd(Pa)	687,40
Pt(Pa)	697,31
Air speed(m/s)	33,85
Perf.(%)	0,72
SWL dB(A)	89 (INLET)
SPL dB(A)	75 (INLET)
Distance(m)	1,5

Technical data

Impeller rpm	2800
Motor rpm	
Approx. weight(kg)	15
Maximum flow rate(m ³ /h)	1940

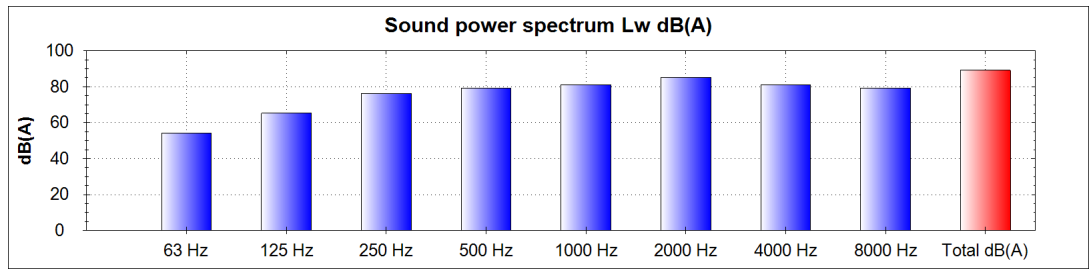
Power(kW)	0,75
Imax 230V(A)	3,03
Imax 400V(A)	1,75
Imax 690V(A)	-

MB 18/7 T2 0,75kW

Acoustics to the service point (INLET)

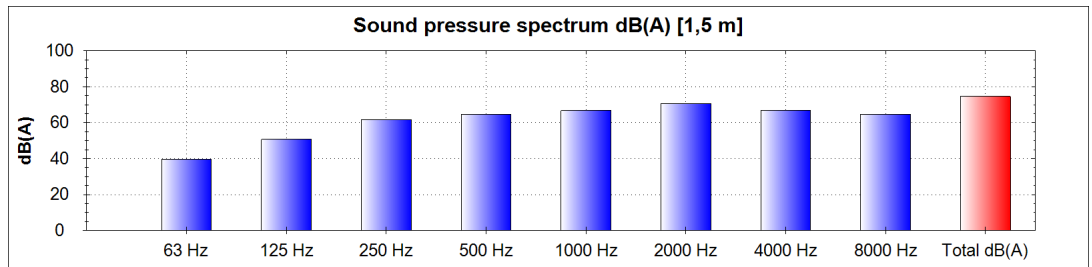
Power dB(A)

63 Hz	54
125 Hz	65
250 Hz	76
500 Hz	79
1000 Hz	81
2000 Hz	85
4000 Hz	81
8000 Hz	79
Total dB(A)	89

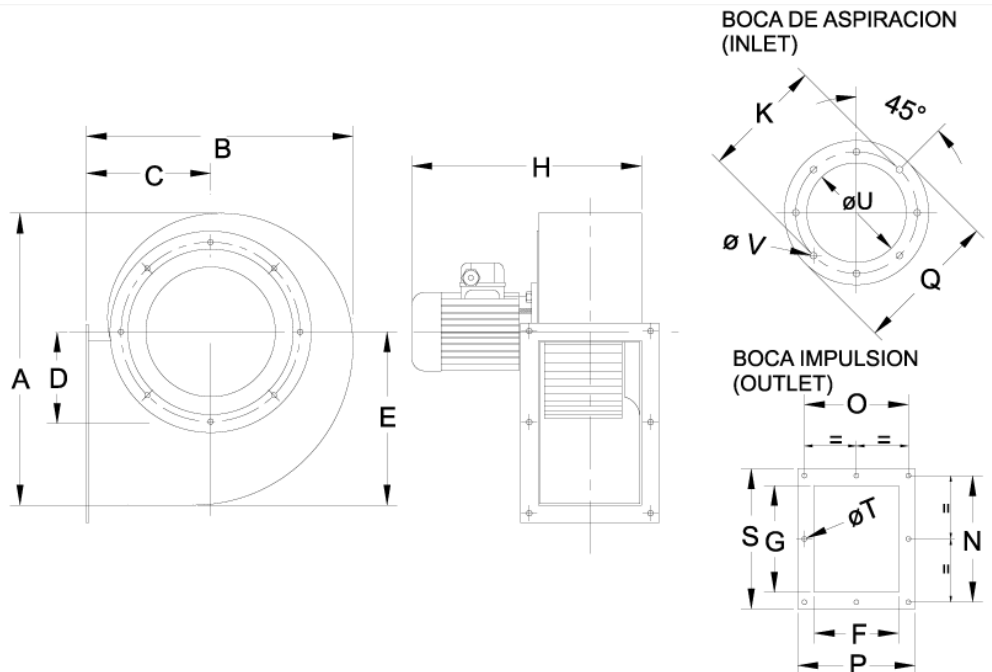


Pressure dB(A) [1,5 m]

63 Hz	40
125 Hz	51
250 Hz	62
500 Hz	65
1000 Hz	67
2000 Hz	71
4000 Hz	67
8000 Hz	65
Total dB(A)	75



dimensions diagram



Dimensions (mm)

A=347	B=302	C=128	D=133	E=203	F=115	G=140	H=355	K=214	N=169	O=146	P=169
Q=237	S=192	T∅=9	U∅=141	V∅=9							

Wiring diagram

