

Specification of: DDM 10/10 E6G3706 3F 4P 2V +SCT == 6N021Y

High performance centrifugal fan DDM

Double width, double inlet (DWDI), direct drive, forward curved blades fan. Lap-jointed scroll of galvanised steel plate (EN 10142) assembled through a technology roller-locked seaming. Straight cut off plate at fan discharge. with forward curved blades of galvanised steel plate, directly mounted on a "External Rotor" motor for no transmission losses. Closed (IP 55) frame, three-phase, voltage controllable motor, usable at 400 V, 50 Hz. Built-in thermal protection device available as option. Maintenance free, integral vibration isolators, self aligning ball bearings. Dynamically balanced according to ISO 1940. With mounted terminal box. Air performance ratings according to AMCA 210-99 (Fig. 12), UNI 10531 (Fig 30c and par. 29.2 f) and ISO 5801 (Fig. 69 c and par. 30.2 f).



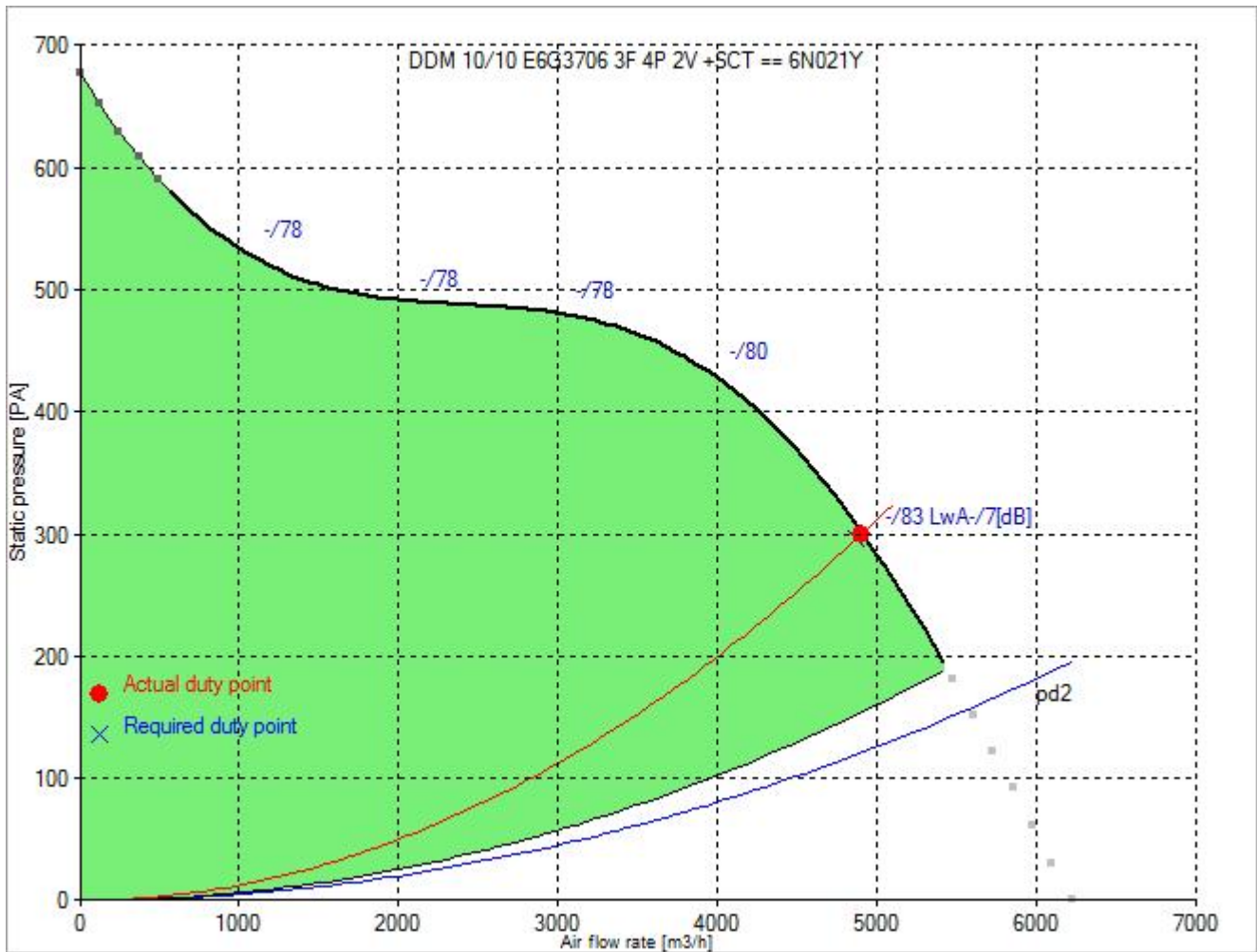
high Impeller

Technical data of the fan: DDM 10/10 E6G3706 3F 4P 2V +SCT == 6N021Y

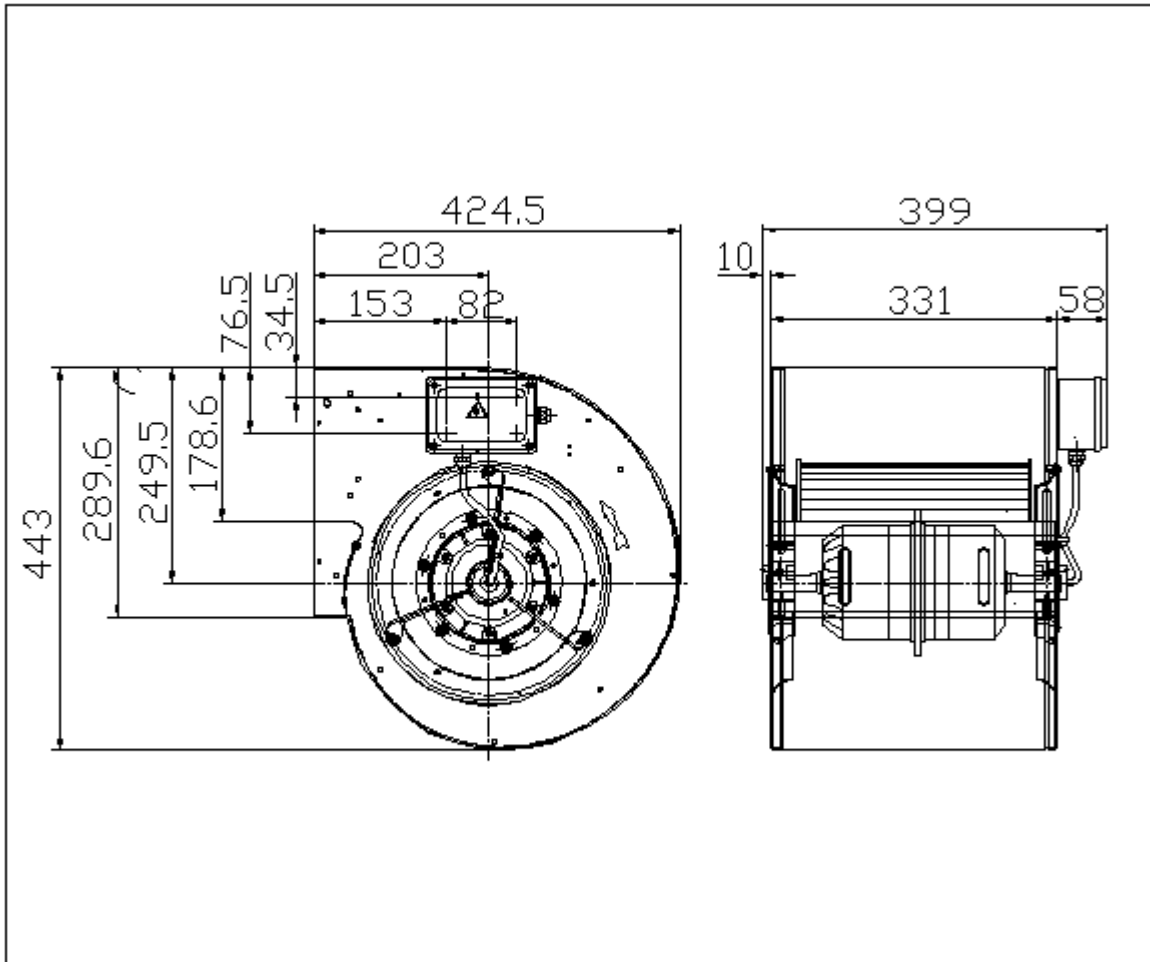
fulfills the ErP-directive 2015

Description	Value Dimension
Specified duty point	
Air flow rate (V)	4872 m ³ /h
Static pressure rise (dp _{fa})	296 Pa
Actual duty point	
Installation acc. DIN 24163 Part 1	B
Reference density (Rho1)	1.20 kg/m ³
Medium temperature (t)	20 C
Air flow rate (V)	4912 m ³ /h
Total pressure rise (dp _t)	422 Pa
Dynamic pressure at discharge (pd ₂)	122 Pa
Static pressure increase (dp _{fa})	301 Pa
fan speed (n _v)	- min ⁻¹
Absorbed power (P ₁)	- kW
Current (I)	- A
Total system efficiency (ETA _{ts})	- %
Static system efficiency (ETA _{faS})	- %
Specific Fan Power (SFP-factor)	- W/(m ³ /s)
Nozzle calibration factor (K ₁₀)	- m ² s/h
Differential pressure on nozzle (dp _D)	- Pa
velocity at discharge area (c)	14.2 m/s
Fan weight	18 kg
A-weighted sound power level discharge/intake LWA _{J7}	-/82 dB
Rated data	
Phase-Voltage-Frequency	3~400 D-50 V-Hz
Number of poles:	4
Motor rating (P _N)	0.75 kW
Max. absorbed power (P _{1max})	1.888 kW
Rated motor speed (n _N)	1370 min ⁻¹
Rated motor current (I _N)	3,3 A
Capacitor (C)	- μF
Temperature range of conveying medium (t _{min} ... t _{max})	-20...40 C
ErP - Data at optimum efficiency and density 1.20 kg/m³	
measurement- / efficiency category	B / total
design status of VSD	without VSD
overall efficiency (ETA _{opt})	48.4 %
achieved efficiency grade (N _{ist})	55.2
required efficiency grade in 2013 / 2015 (N)	42 / 49
Air flow rate (V _{opt})	2694 m ³ /h
pressure rise (dp _{opt})	533 Pa
Fan speed (n _{vopt})	1383 min ⁻¹
motor power input (P _{1opt})	0.82 kW
specific ratio (d _{dpopt})	1.005

Fan curve to DDM 10/10 E6G3706 3F 4P 2V +SCT == 6N021Y



Dimensions to DDM 10/10 E6G3706 3F 4P 2V +SCT == 6N021Y



Rotation:
Handing:

RD
90