

Specification of: DDM 10/8 E6G3604 1F 4P 1V +SCT == 6N02X4

High performance centrifugal fan DDM

Double width, double inlet (DWDI), direct drive, forward curved blades fan. Lap-jointed scroll of galvanised steel plate (EN 10142) assembled through a technology roller-locked seaming. Straight cut off plate at fan discharge.

with forward curved blades of galvanised steel plate, directly mounted on a "External Rotor" motor for no transmission losses. Closed (IP 55) frame, single-phase, voltage controllable motor, usable at 230 V, 50 Hz. With built-in thermal protection device. Maintenance free, integral vibration isolators, self aligning ball bearings. Dynamically balanced according to ISO 1940. With mounted terminal box. Air performance ratings according to AMCA 210-99 (Fig. 12), UNI 10531 (Fig 30c and par. 29.2 f) and ISO 5801 (Fig. 69 c and par. 30.2 f).



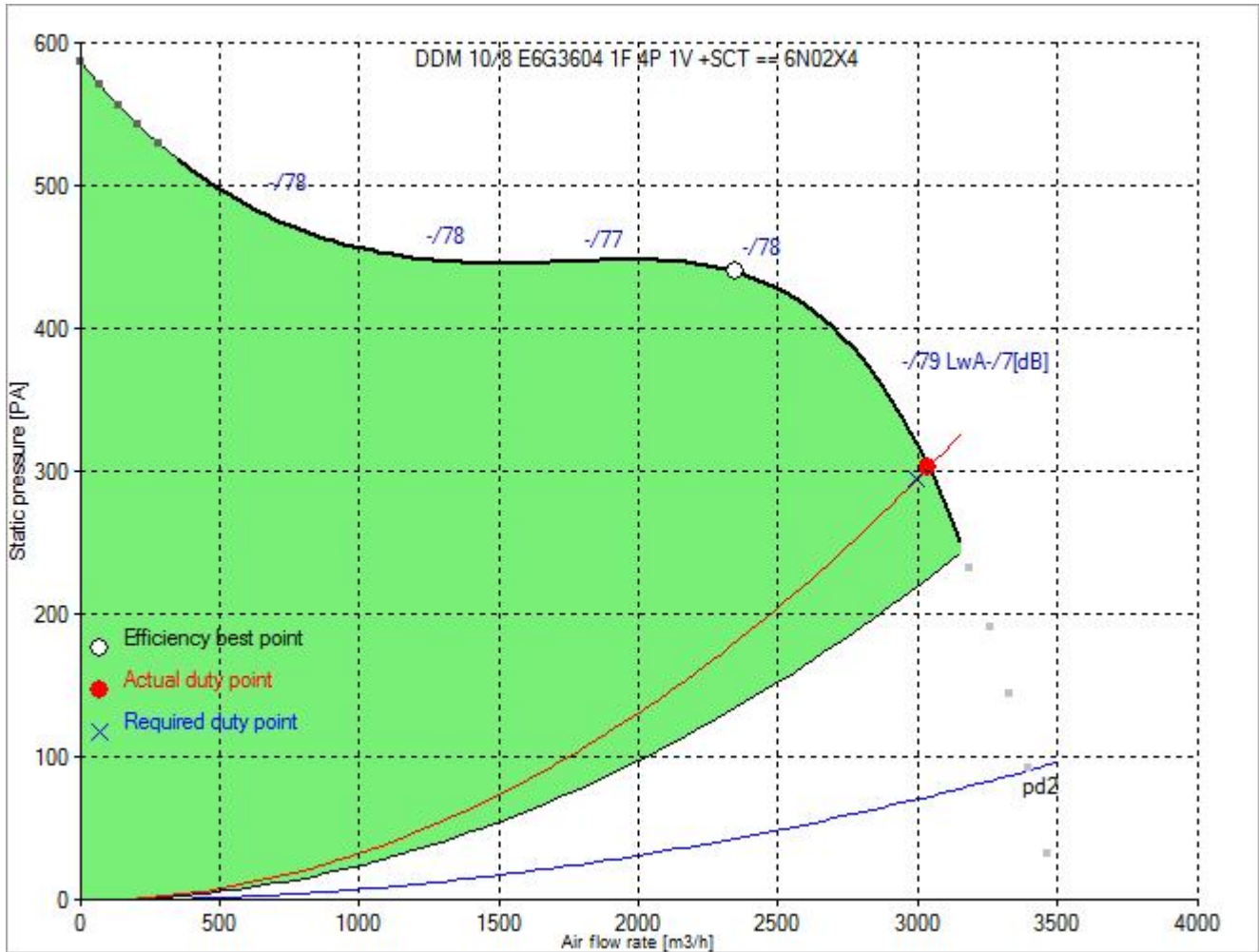
high Impeller

Technical data of the fan: DDM 10/8 E6G3604 1F 4P 1V +SCT == 6N02X4

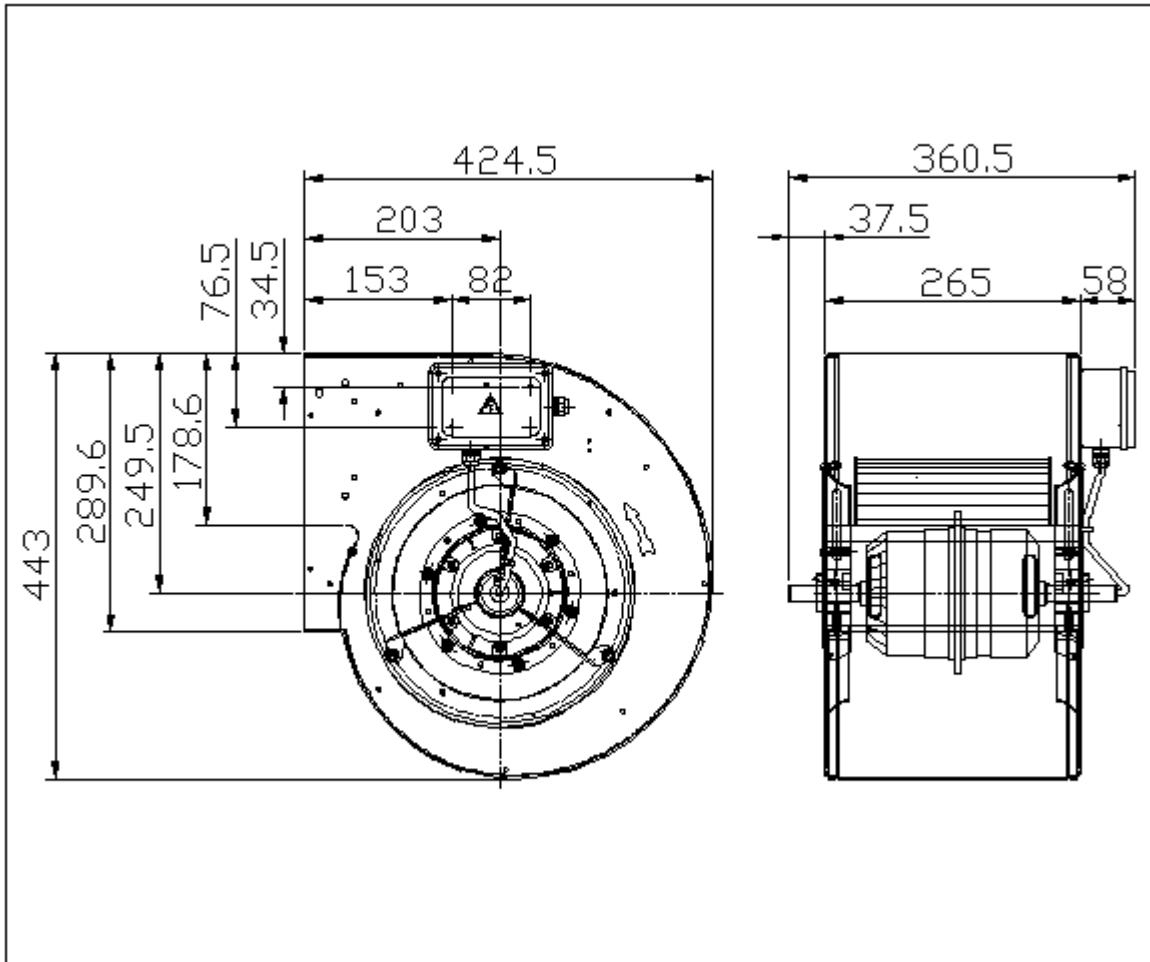
fulfills the ErP-directive 2015

Description	Value Dimension
Specified duty point	
Air flow rate (V)	2998 m³/h
Static pressure rise (dp _{fa})	295 Pa
Actual duty point	
Installation acc. DIN 24163 Part 1	B
Reference density (Rho1)	1.20 kg/m³
Medium temperature (t)	20 C
Air flow rate (V)	3039 m³/h
Total pressure rise (dp _t)	376 Pa
Dynamic pressure at discharge (pd ₂)	73 Pa
Static pressure increase (dp _{fa})	303 Pa
fan speed (n _v)	- min ⁻¹
Absorbed power (P ₁)	- kW
Current (I)	- A
Total system efficiency (ETA _{ts})	- %
Static system efficiency (ETA _{faS})	- %
Specific Fan Power (SFP-factor)	- W/(m³/s)
Nozzle calibration factor (K ₁₀)	- m²s/h
Differential pressure on nozzle (dp _D)	- Pa
velocity at discharge area (c)	11.0 m/s
Fan weight	20 kg
A-weighted sound power level discharge/intake LwA _{J7}	-/79 dB
Rated data	
Phase-Voltage-Frequency	1~230-50 V-Hz
Number of poles:	4
Motor rating (P _N)	0.55 kW
Max. absorbed power (P _{1max})	1.106 kW
Rated motor speed (n _N)	1220 min ⁻¹
Rated motor current (I _N)	4,7 A
Capacitor (C)	16 µF
Temperature range of conveying medium (t _{min} ... t _{max})	-20...40 C
ErP - Data at optimum efficiency and density 1.20 kg/m³	
measurement- / efficiency category	B / total
design status of VSD	without VSD
overall efficiency (ETA _{opt})	41.7 %
achieved efficiency grade (N _{ist})	49.0
required efficiency grade in 2013 / 2015 (N)	42 / 49
Air flow rate (V _{opt})	2184 m³/h
pressure rise (dp _{opt})	484 Pa
Fan speed (n _{vopt})	1319 min ⁻¹
motor power input (P _{1opt})	0.70 kW
specific ratio (d _{dpopt})	1.005

Fan curve to DDM 10/8 E6G3604 1F 4P 1V +SCT == 6N02X4



Dimensions to DDM 10/8 E6G3604 1F 4P 1V +SCT == 6N02X4



Rotation:
Handing:

RD
90