

**Specification of: DDM 133/190 7725C0 1F 2P 1V +FL == 6102FW**

**High performance centrifugal fan DDM**

Double width, double inlet (DWDI), direct drive, forward curved blades fan. Spot-welded scroll of galvanised steel plate. Straight cut off plate at fan discharge. Impeller with forward curved blades of galvanised steel plate, directly mounted on a "External Rotor" motor for no transmission losses. (IP 32) frame, single-phase, voltage controllable motor, usable at 230 V, 50 Hz or 60 Hz. Built-in thermal protection device available as option. Maintenance free, integral vibration isolators, self aligning ball bearings. Dynamically balanced according to ISO 1940. With mounted discharge flange. Air performance ratings according to AMCA 210-99 (Fig. 12), UNI 10531 (Fig 30c and par. 29.2 f) and ISO 5801 (Fig. 69 c and par. 30.2 f).



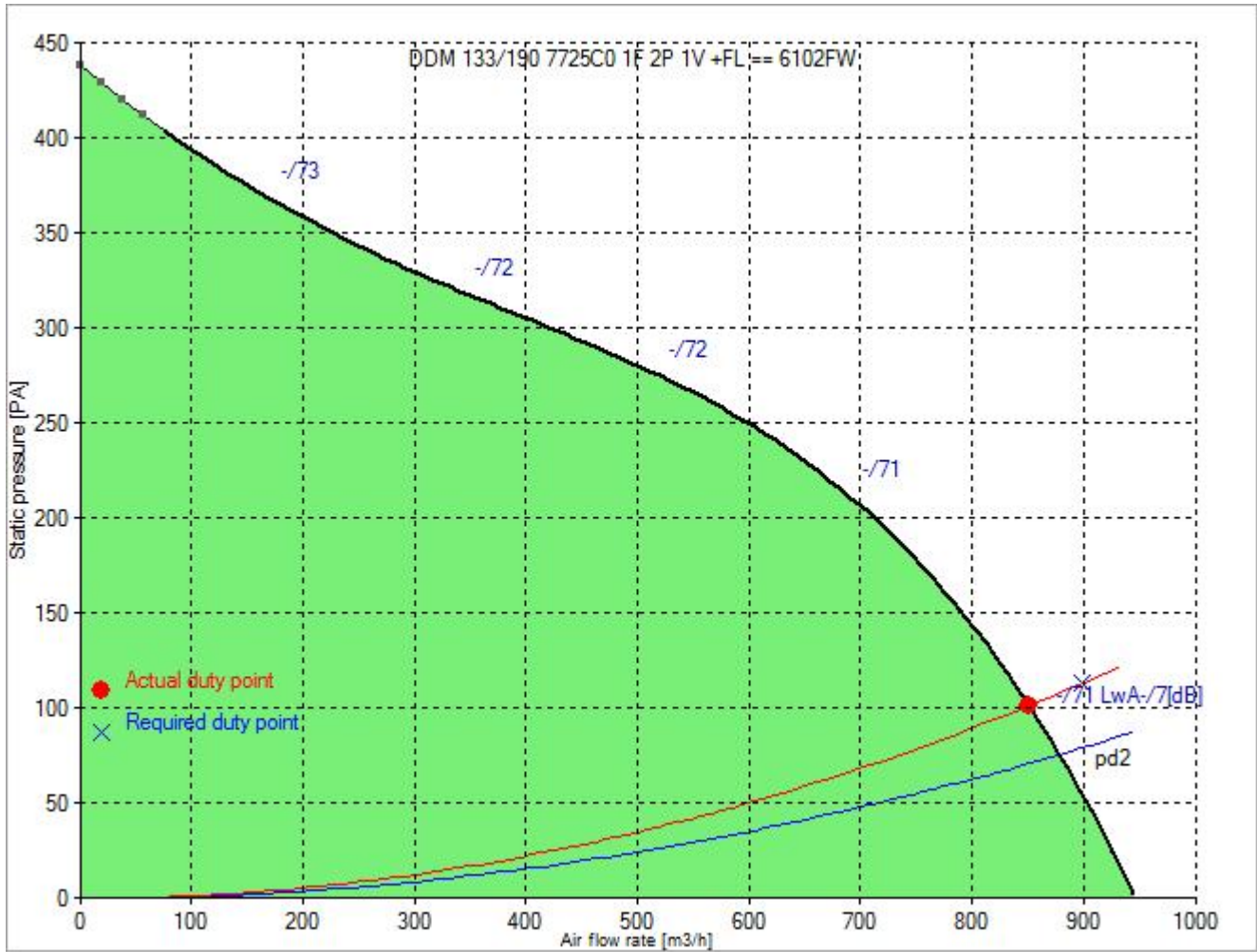
Closed  
Hz or

**Technical data of the fan: DDM 133/190 7725C0 1F 2P 1V +FL == 6102FW**

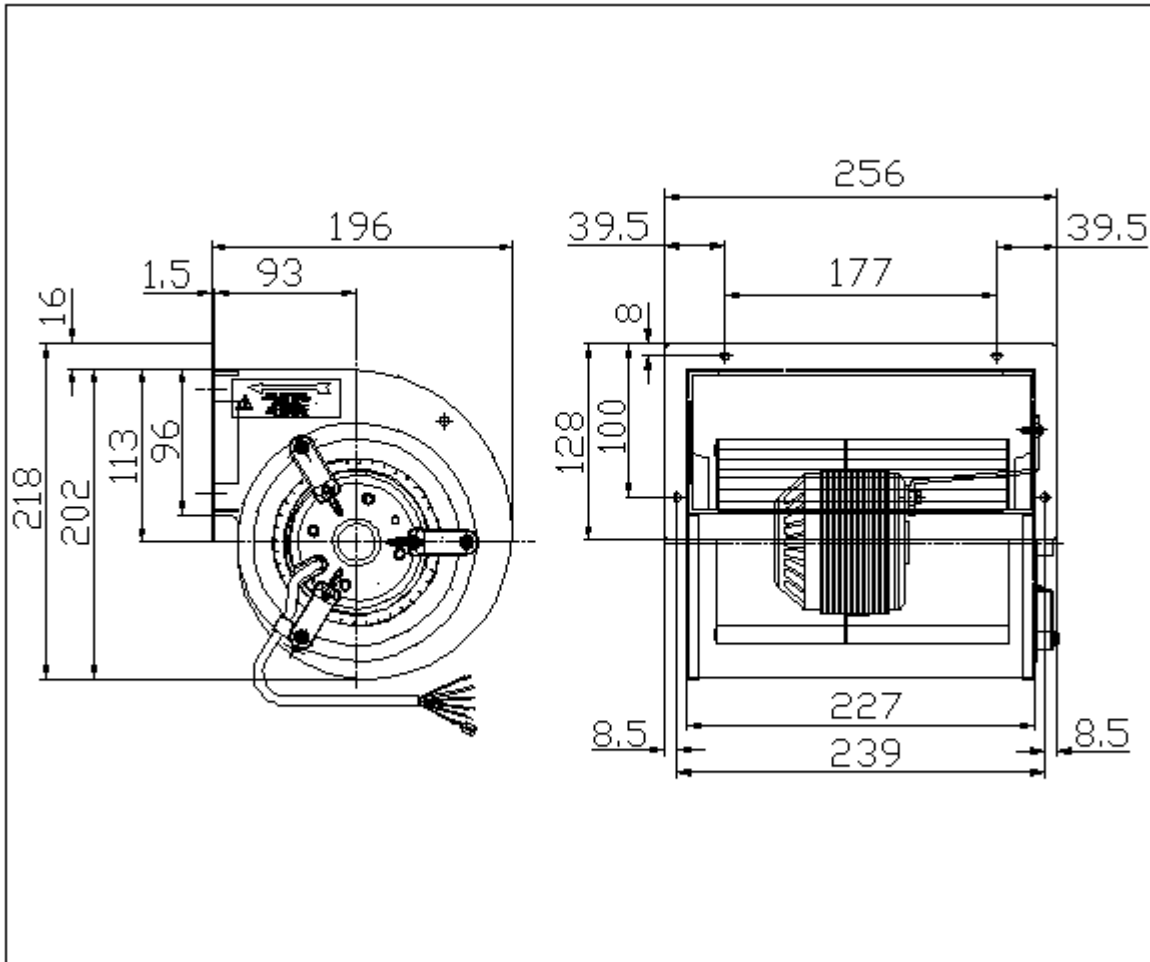
does not fulfill the directive ErP-2013

Description	Value	Dimension
<b>Specified duty point</b>		
Air flow rate (V)	898	m³/h
Static pressure rise (dp <sub>fa</sub> )	113	Pa
<b>Actual duty point</b>		
Installation acc. DIN 24163 Part 1	B	
Reference density (Rho1)	1.20	kg/m³
Medium temperature (t)	20	C
Air flow rate (V)	851	m³/h
Total pressure rise (dp <sub>t</sub> )	173	Pa
Dynamic pressure at discharge (pd <sub>2</sub> )	71	Pa
Static pressure increase (dp <sub>fa</sub> )	101	Pa
fan speed (n <sub>v</sub> )	-	min <sup>-1</sup>
Absorbed power (P <sub>1</sub> )	-	kW
Current (I)	-	A
Total system efficiency (ETA <sub>ts</sub> )	-	%
Static system efficiency (ETA <sub>faS</sub> )	-	%
Specific Fan Power (SFP-factor)	-	W/(m³/s)
Nozzle calibration factor (K <sub>10</sub> )	-	m²s/h
Differential pressure on nozzle (dp <sub>D</sub> )	-	Pa
velocity at discharge area (c)	10.9	m/s
Fan weight	5	kg
A-weighted sound power level discharge/intake LwA <sub>17</sub>	-71	dB
<b>Rated data</b>		
Phase-Voltage-Frequency	1~230-50	V-Hz
Number of poles:	2	
Motor rating (P <sub>N</sub> )	0.09	kW
Max. absorbed power (P <sub>1max</sub> )	0.226	kW
Rated motor speed (n <sub>N</sub> )	2300	min <sup>-1</sup>
Rated motor current (I <sub>N</sub> )	1,0	A
Capacitor (C)	6,3	µF
Temperature range of conveying medium (t <sub>min</sub> ... t <sub>max</sub> )	-20...40	C

Fan curve to DDM 133/190 7725C0 1F 2P 1V +FL == 6102FW



Dimensions to DDM 133/190 7725C0 1F 2P 1V +FL == 6102FW



Rotation:  
Handing:

RD  
90