



Specification of: DDM 280/204 E6G3706 3F 4P 1V +SCT ==

6N02121

High performance centrifugal fan DDM

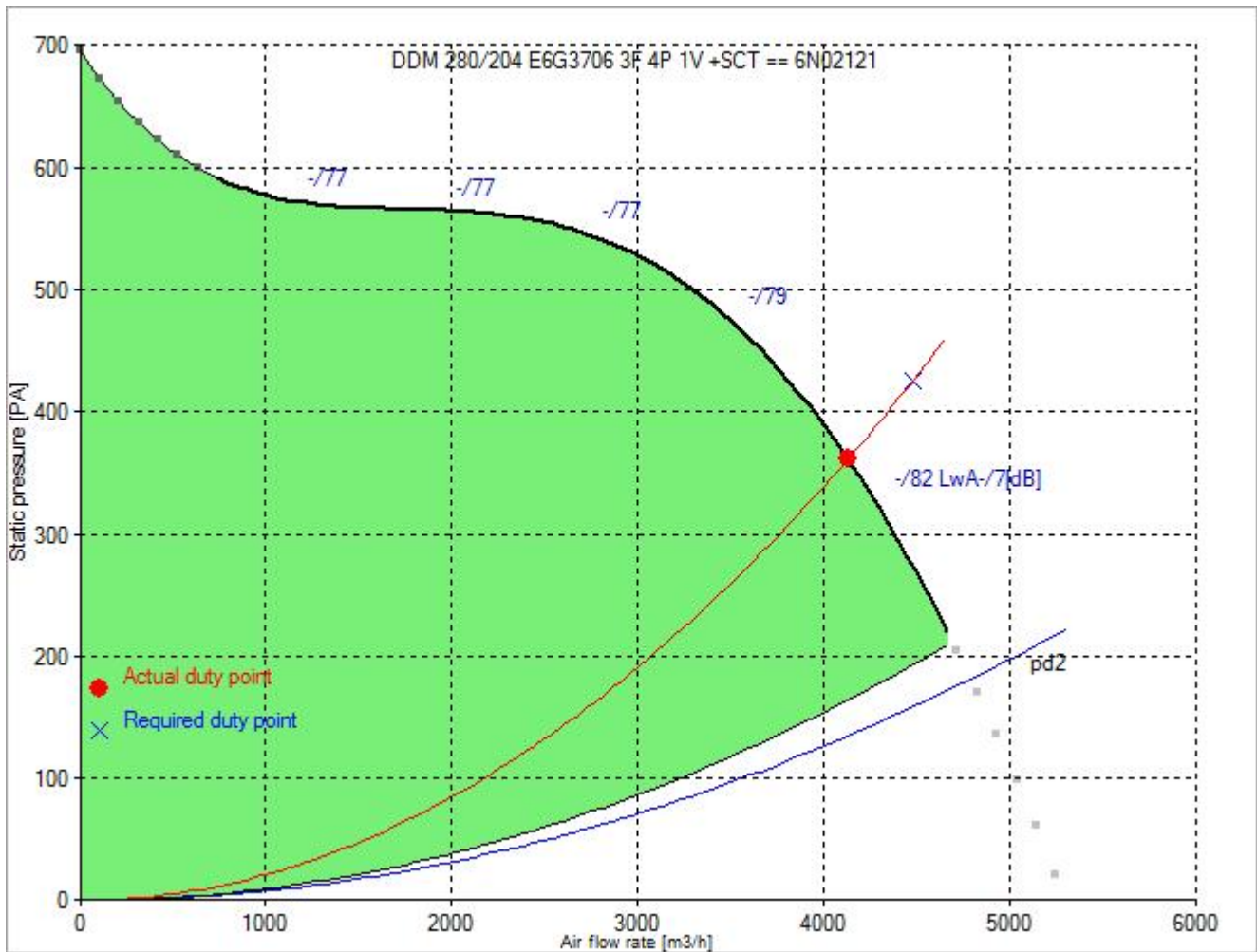
Double width, double inlet (DWDI), direct drive, forward curved blades fan. Spot-welded scroll of galvanised steel plate. Straight cut off plate at fan discharge. Impeller with forward curved blades of galvanised steel plate, directly mounted on a "External Rotor" motor for no transmission losses. Closed (IP 55) frame, three-phase, voltage controllable motor, usable at 400 V, 50 Hz. Built-in thermal protection device available as option. Maintenance free, integral vibration isolators, self aligning ball bearings. Dynamically balanced according to ISO 1940. With mounted terminal box. Air performance ratings according to AMCA 210-99 (Fig. 12), UNI 10531 (Fig 30c and par. 29.2 f) and ISO 5801 (Fig. 69 c and par. 30.2 f).

Technical data of the fan: DDM 280/204 E6G3706 3F 4P 1V +SCT == 6N02121

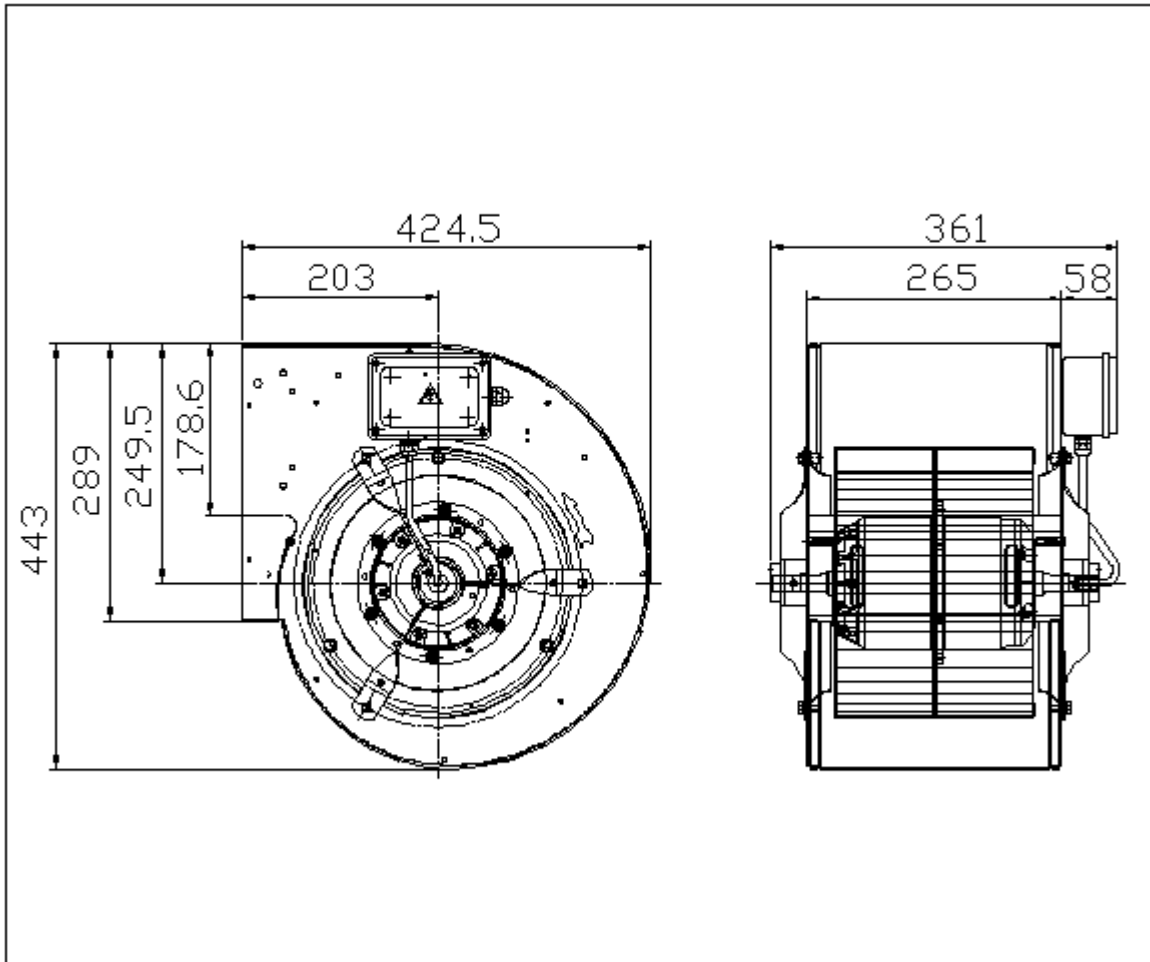
[fulfills the ErP-directive 2015](#)

Description	Value Dimension
Specified duty point	
Air flow rate (V)	4478 m³/h
Static pressure rise (dp _{fa})	425 Pa
Actual duty point	
Installation acc. DIN 24163 Part 1	B
Reference density (Rho1)	1.20 kg/m³
Medium temperature (t)	20 C
Air flow rate (V)	4130 m³/h
Total pressure rise (dp _t)	496 Pa
Dynamic pressure at discharge (pd ₂)	135 Pa
Static pressure increase (dp _{fa})	362 Pa
fan speed (n _v)	- min ⁻¹
Absorbed power (P ₁)	- kW
Current (I)	- A
Total system efficiency (ETA _{ts})	- %
Static system efficiency (ETA _{faS})	- %
Specific Fan Power (SFP-factor)	- W/(m³/s)
Nozzle calibration factor (K ₁₀)	- m²s/h
Differential pressure on nozzle (dp _D)	- Pa
velocity at discharge area (c)	15.0 m/s
Fan weight	23 kg
A-weighted sound power level discharge/intake LwA _{J7}	-/82 dB
Rated data	
Phase-Voltage-Frequency	3~400 D-50 V-Hz
Number of poles:	4
Motor rating (P _N)	0.75 kW
Max. absorbed power (P _{1max})	1.924 kW
Rated motor speed (n _N)	1370 min ⁻¹
Rated motor current (I _N)	3,1 A
Capacitor (C)	- µF
Temperature range of conveying medium (t _{min} ... t _{max})	-20...40 C
ErP - Data at optimum efficiency and density 1.20 kg/m³	
measurement- / efficiency category	B / total
design status of VSD	without VSD
overall efficiency (ETA _{opt})	47.8 %
achieved efficiency grade (N _{ist})	54.6
required efficiency grade in 2013 / 2015 (N)	42 / 49
Air flow rate (V _{opt})	2424 m³/h
pressure rise (dp _{opt})	611 Pa
Fan speed (n _{vopt})	1370 min ⁻¹
motor power input (P _{1opt})	0.86 kW
specific ratio (d _{dpopt})	1.006

Fan curve to DDM 280/204 E6G3706 3F 4P 1V +SCT == 6N02121



Dimensions to DDM 280/204 E6G3706 3F 4P 1V +SCT == 6N02121



Rotation: RD
Handing: 90