



Specification of: DDM 7/7 E6G3309 3F 4P 1V +SCT == 6M02WM

High performance centrifugal fan DDM

Double width, double inlet (DWDI), direct drive, forward curved blades fan. Lap-jointed scroll of galvanised steel plate (EN 10142) assembled through a high technology roller-locked seaming. Straight cut off plate at fan discharge. Impeller with forward curved blades of galvanised steel plate, directly mounted on a "External Rotor" motor for no transmission losses. Closed (IP 55) frame, three-phase, single speed motor, usable at 400 V, 50 Hz or 60 Hz. Built-in thermal protection device available as option. Maintenance free, integral vibration isolators, self aligning ball bearings. Dynamically balanced according to ISO 1940. With mounted terminal box. Air performance ratings according to AMCA 210-99 (Fig. 12), UNI 10531 (Fig 30c and par. 29.2 f) and ISO 5801 (Fig. 69 c and par. 30.2 f).

Technical data of the fan: DDM 7/7 E6G3309 3F 4P 1V +SCT == 6M02WM

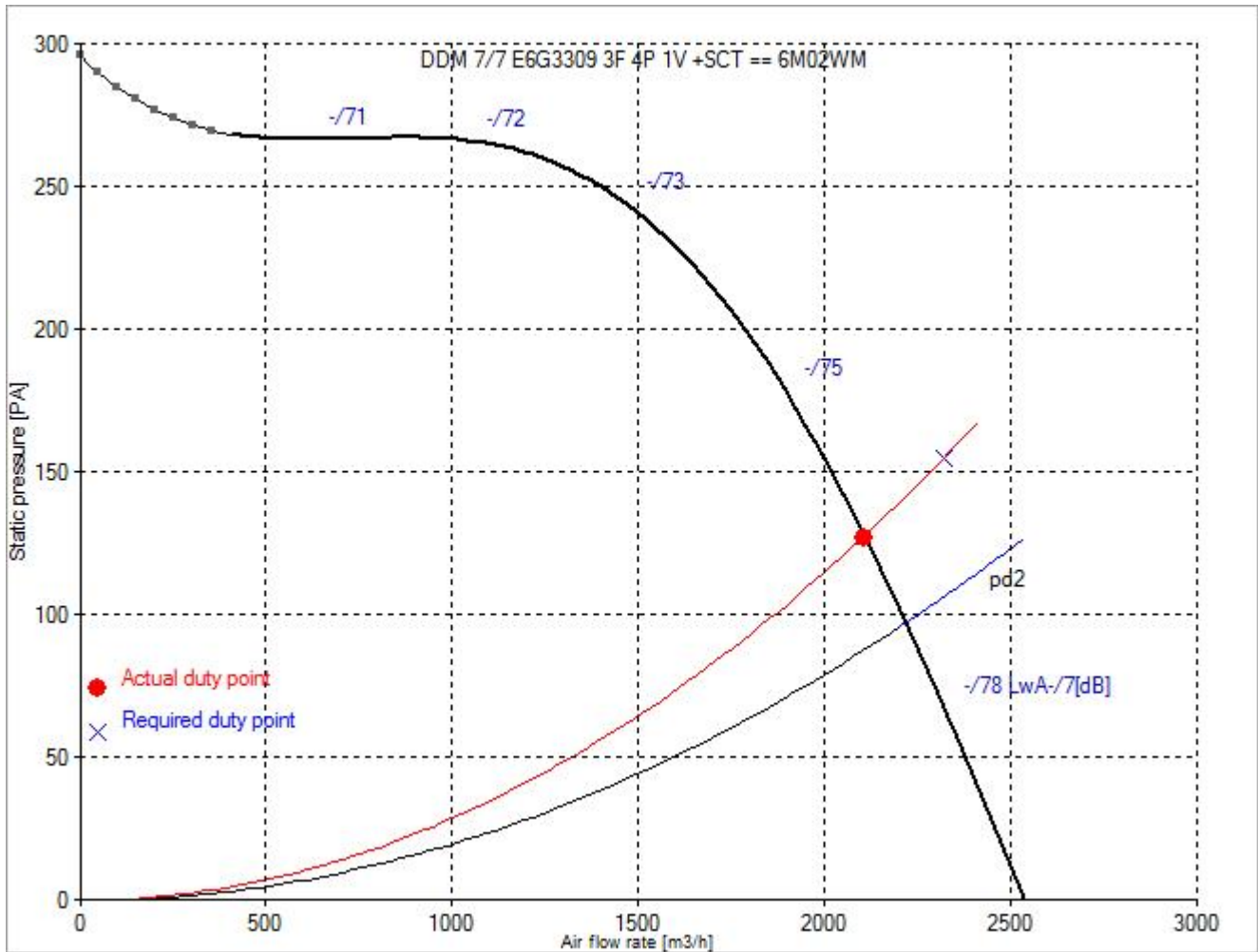
fulfills the ErP-directive 2013

Description	Value Dimension
Specified duty point	
Air flow rate (V)	2322 m³/h
Static pressure rise (dp _{ra})	155 Pa
Actual duty point	
Installation acc. DIN 24163 Part 1	B
Reference density (Rho1)	1.20 kg/m³
Medium temperature (t)	20 C
Air flow rate (V)	2109 m³/h
Total pressure rise (dp _t)	216 Pa
Dynamic pressure at discharge (pd ₂)	88 Pa
Static pressure increase (dp _{ra})	128 Pa
fan speed (n _v)	- min ⁻¹
Absorbed power (P ₁)	- kW
Current (I)	- A
Total system efficiency (ETA _{ts})	- %
Static system efficiency (ETA _{raS})	- %
Specific Fan Power (SFP-factor)	- W/(m³/s)
Nozzle calibration factor (K ₁₀)	- m²s/h
Differential pressure on nozzle (dp _D)	- Pa
velocity at discharge area (c)	12.1 m/s
Fan weight	15 kg
A-weighted sound power level discharge/intake LwA ₇	-77 dB
Rated data	
Phase-Voltage-Frequency	3~230/400-50 V-Hz
Number of poles:	4
Motor rating (P _N)	0.3 kW
Max. absorbed power (P _{1max})	0.605 kW
Rated motor speed (n _N)	1360 min ⁻¹
Rated motor current (I _N)	1,7/1,0 A
Capacitor (C)	- µF
Temperature range of conveying medium (t _{min} ...t _{max})	-20...70 C
ErP - Data at optimum efficiency and density 1.20 kg/m³	
measurement- / efficiency category	B / total
design status of VSD	without VSD
overall efficiency (ETA _{opt})	34.5 %
achieved efficiency grade (N _{ist})	43.8
required efficiency grade in 2013 / 2015 (N)	42 / 49
Air flow rate (V _{opt})	1430 m³/h
pressure rise (dp _{opt})	291 Pa
Fan speed (n _{vopt})	1390 min ⁻¹

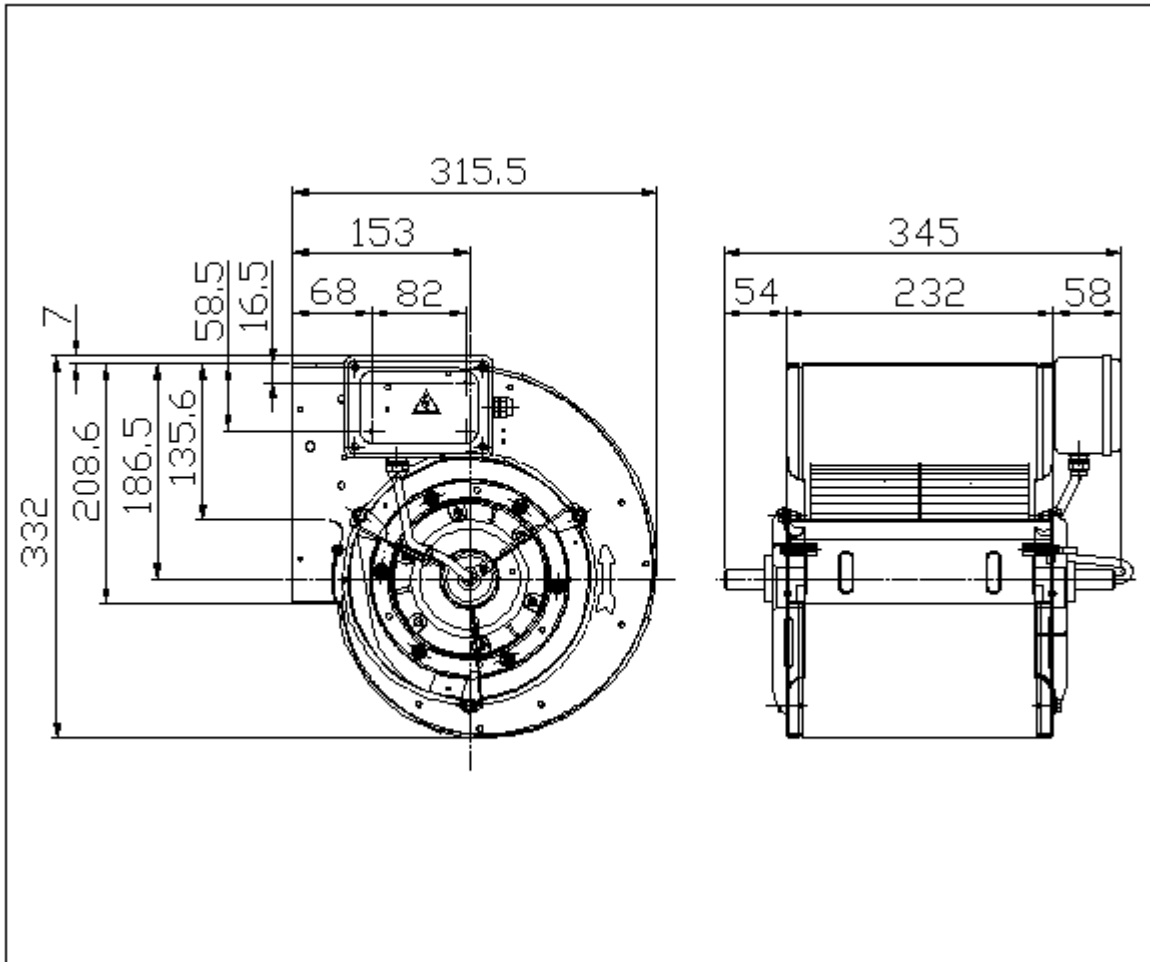
motor power input (P_{1opt})
 specific ratio (d_{dopt})

0.33 kW
 1.003

Fan curve to DDM 7/7 E6G3309 3F 4P 1V +SCT == 6M02WM



Dimensions to DDM 7/7 E6G3309 3F 4P 1V +SCT == 6M02WM



Rotation:
Handing:

RD
90