

**Specification of: DDM 7/7 E5G3403 3F 4P 1V +SCT == 6N022H**

**High performance centrifugal fan DDM**

Double width, double inlet (DWDI), direct drive, forward curved blades fan. Lap-jointed scroll of galvanised steel plate (EN 10142) assembled through a technology roller-locked seaming. Straight cut off plate at fan discharge. Impeller with forward curved blades of galvanised steel plate, directly mounted "External Rotor" motor for no transmission losses. Closed (IP 55) frame, three-phase, single speed motor, usable at 400 V, 50 Hz or 60 Hz. With built-in thermal protection device. Maintenance free, integral vibration isolators, self aligning ball bearings. Dynamically balanced according to ISO 1940. With mounted terminal box. Air performance ratings according to AMCA 210-99 (Fig. 12), UNI 10531 (Fig 30c and par. 29.2 f) and ISO 5801 (Fig. 69 c and par. 30.2 f).



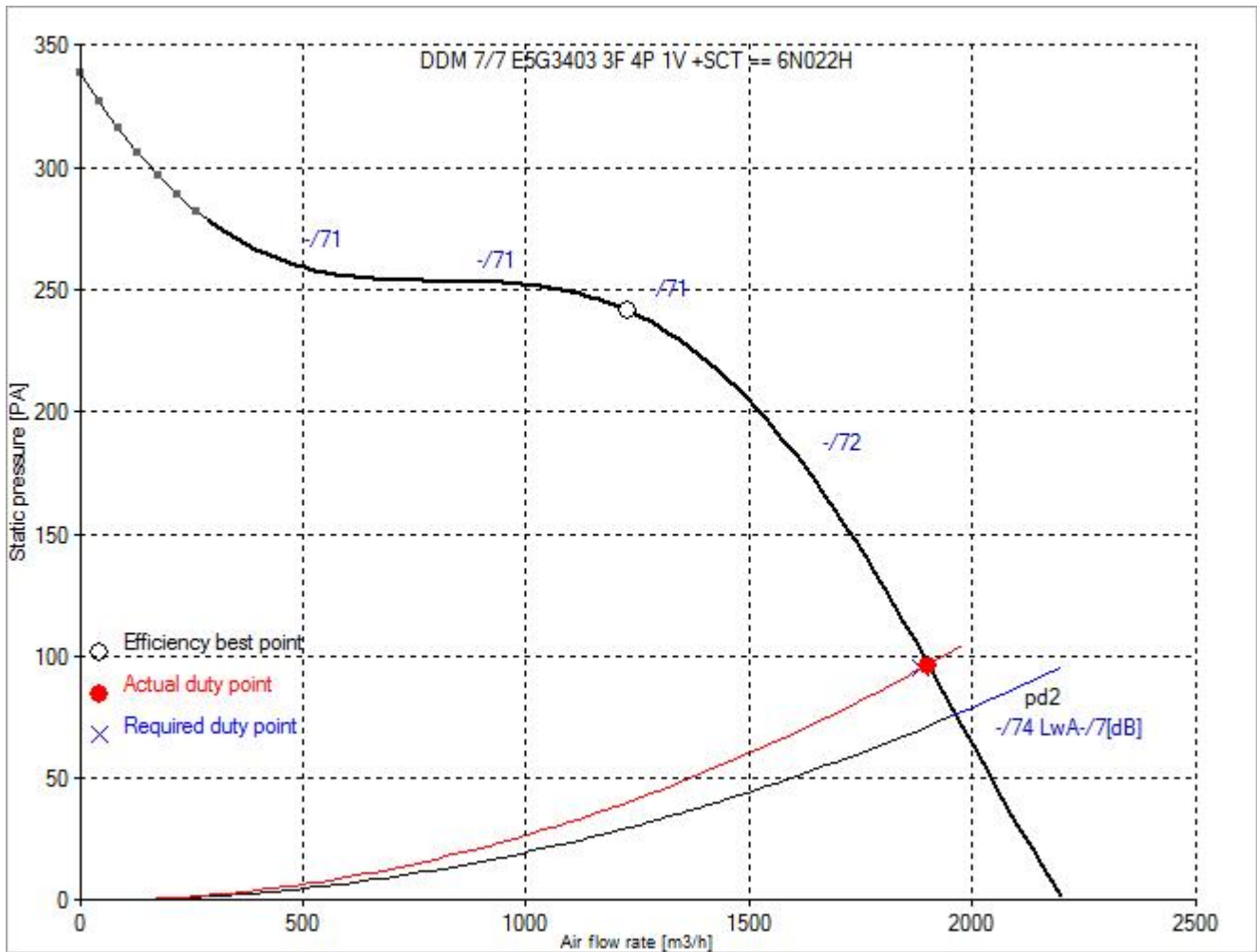
high  
on a

**Technical data of the fan: DDM 7/7 E5G3403 3F 4P 1V +SCT == 6N022H**

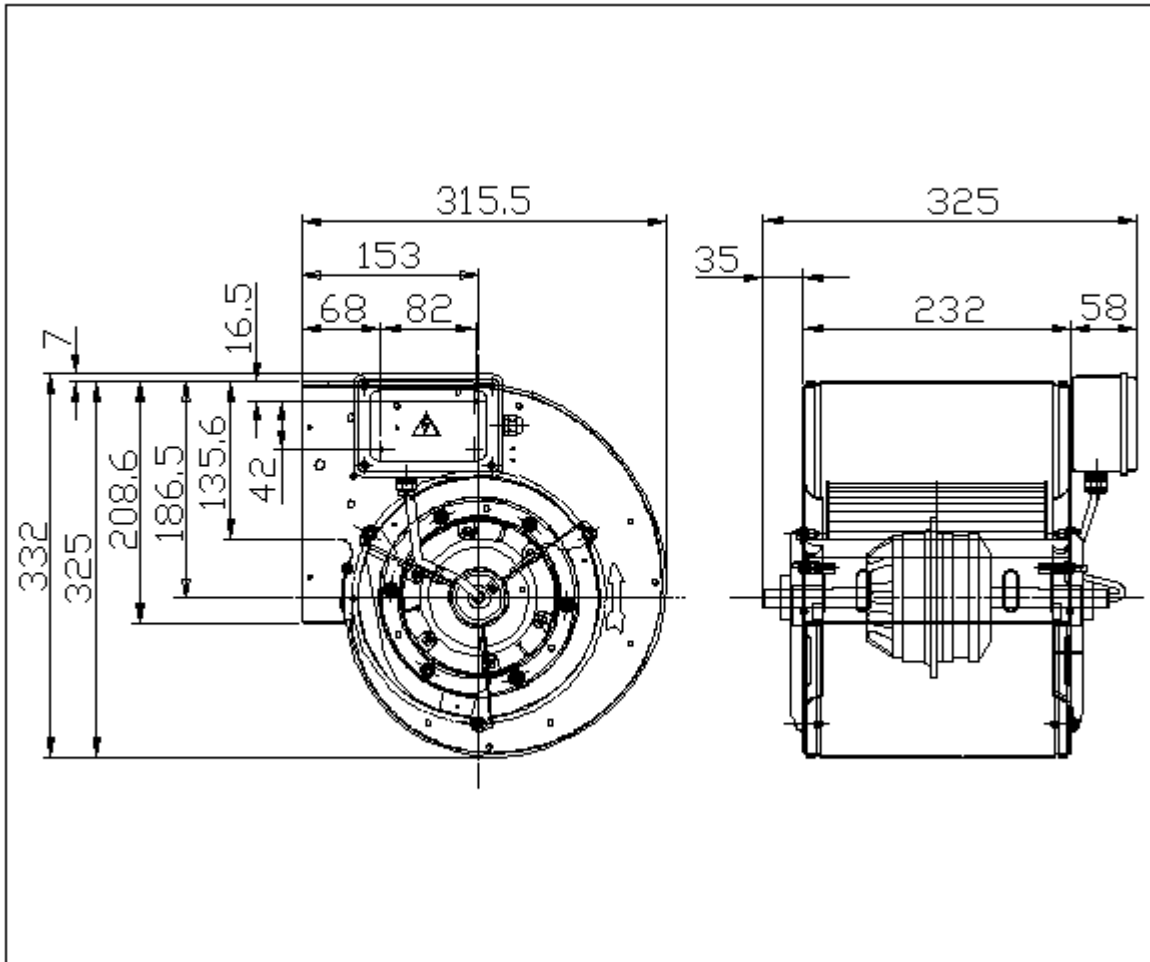
fulfills the ErP-directive 2015

Description	Value Dimension
<b>Specified duty point</b>	
Air flow rate (V)	1886 m³/h
Static pressure rise (dp <sub>fa</sub> )	95 Pa
<b>Actual duty point</b>	
Installation acc. DIN 24163 Part 1	B
Reference density (Rho1)	1.20 kg/m³
Medium temperature (t)	20 C
Air flow rate (V)	1902 m³/h
Total pressure rise (dp <sub>t</sub> )	168 Pa
Dynamic pressure at discharge (pd <sub>2</sub> )	72 Pa
Static pressure increase (dp <sub>fa</sub> )	97 Pa
fan speed (n <sub>v</sub> )	- min <sup>-1</sup>
Absorbed power (P <sub>1</sub> )	- kW
Current (I)	- A
Total system efficiency (ETA <sub>ts</sub> )	- %
Static system efficiency (ETA <sub>faS</sub> )	- %
Specific Fan Power (SFP-factor)	- W/(m³/s)
Nozzle calibration factor (K <sub>10</sub> )	- m²s/h
Differential pressure on nozzle (dp <sub>D</sub> )	- Pa
velocity at discharge area (c)	10.9 m/s
Fan weight	13 kg
A-weighted sound power level discharge/intake LwA <sub>17</sub>	-74 dB
<b>Rated data</b>	
Phase-Voltage-Frequency	3~230/400-50 V-Hz
Number of poles:	4
Motor rating (P <sub>N</sub> )	0.147 kW
Max. absorbed power (P <sub>1max</sub> )	0.41 kW
Rated motor speed (n <sub>N</sub> )	1290 min <sup>-1</sup>
Rated motor current (I <sub>N</sub> )	1,2/0,7 A
Capacitor (C)	- µF
Temperature range of conveying medium (t <sub>min</sub> ... t <sub>max</sub> )	-20...40 C
<b>ErP - Data at optimum efficiency and density 1.20 kg/m³</b>	
measurement- / efficiency category	B / total
design status of VSD	without VSD
overall efficiency (ETA <sub>opt</sub> )	41.8 %
achieved efficiency grade (N <sub>ist</sub> )	52.5
required efficiency grade in 2013 / 2015 (N)	42 / 49
Air flow rate (V <sub>opt</sub> )	1148 m³/h
pressure rise (dp <sub>opt</sub> )	275 Pa
Fan speed (n <sub>vopt</sub> )	1301 min <sup>-1</sup>
motor power input (P <sub>1opt</sub> )	0.21 kW
specific ratio (d <sub>dpopt</sub> )	1.003

Fan curve to DDM 7/7 E5G3403 3F 4P 1V +SCT == 6N022H



Dimensions to DDM 7/7 E5G3403 3F 4P 1V +SCT == 6N022H



Rotation:  
Handing:

RD  
90