



**Specification of: DDM 9/7 E6G3303 1F 6P 1V +SCT == 6M02H8**

**High performance centrifugal fan DDM**

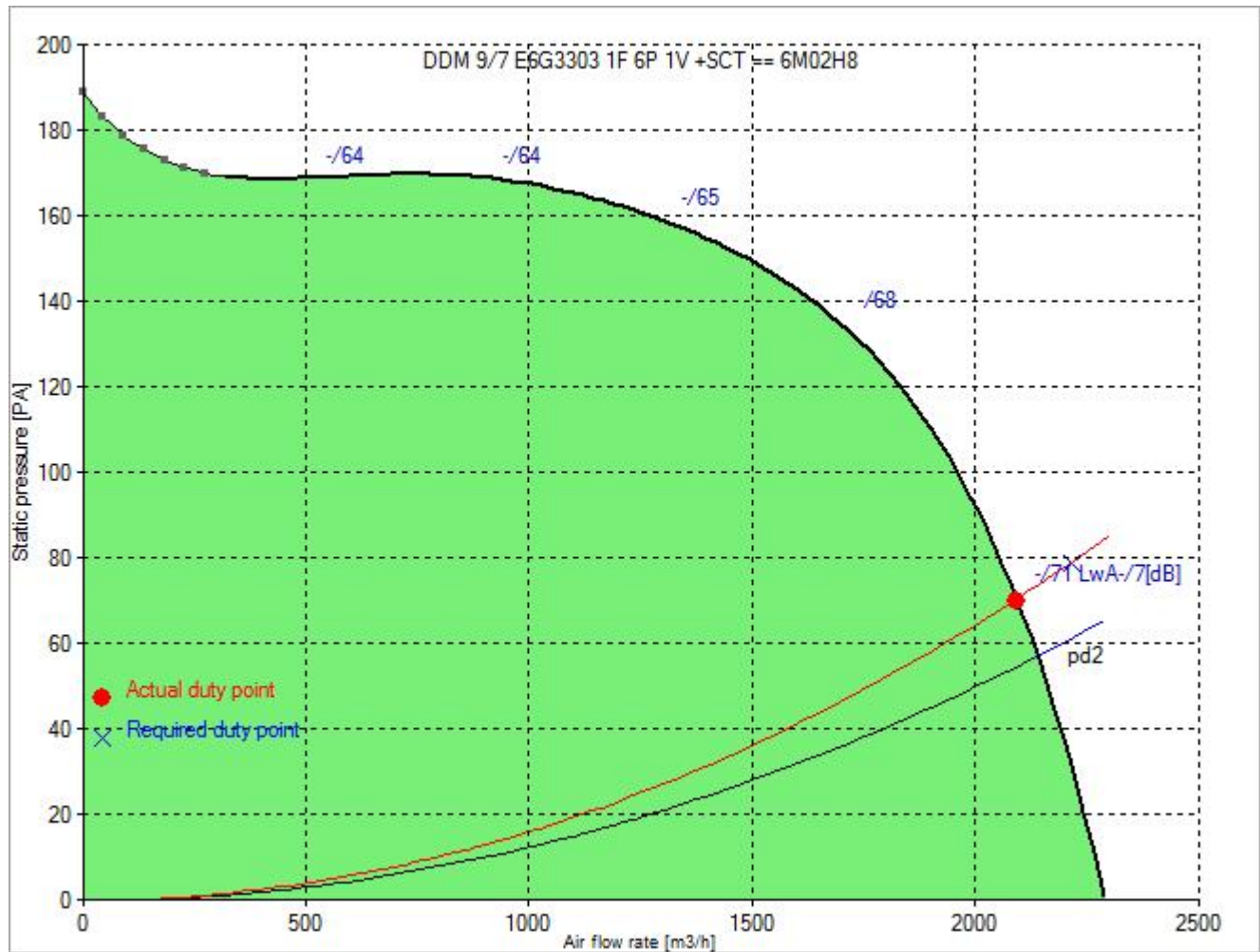
Double width, double inlet (DWDI), direct drive, forward curved blades fan. Lap-jointed scroll of galvanised steel plate (EN 10142) assembled through a high technology roller-locked seaming. Straight cut off plate at fan discharge. Impeller with forward curved blades of galvanised steel plate, directly mounted on a "External Rotor" motor for no transmission losses. Closed (IP 55) frame, single-phase, voltage controllable motor, usable at 230 V, 50 Hz or 60 Hz. Built-in thermal protection device available as option. Maintenance free, integral vibration isolators, self aligning ball bearings. Dynamically balanced according to ISO 1940. With mounted terminal box. Air performance ratings according to AMCA 210-99 (Fig. 12), UNI 10531 (Fig 30c and par. 29.2 f) and ISO 5801 (Fig. 69 c and par. 30.2 f).

**Technical data of the fan: DDM 9/7 E6G3303 1F 6P 1V +SCT == 6M02H8**

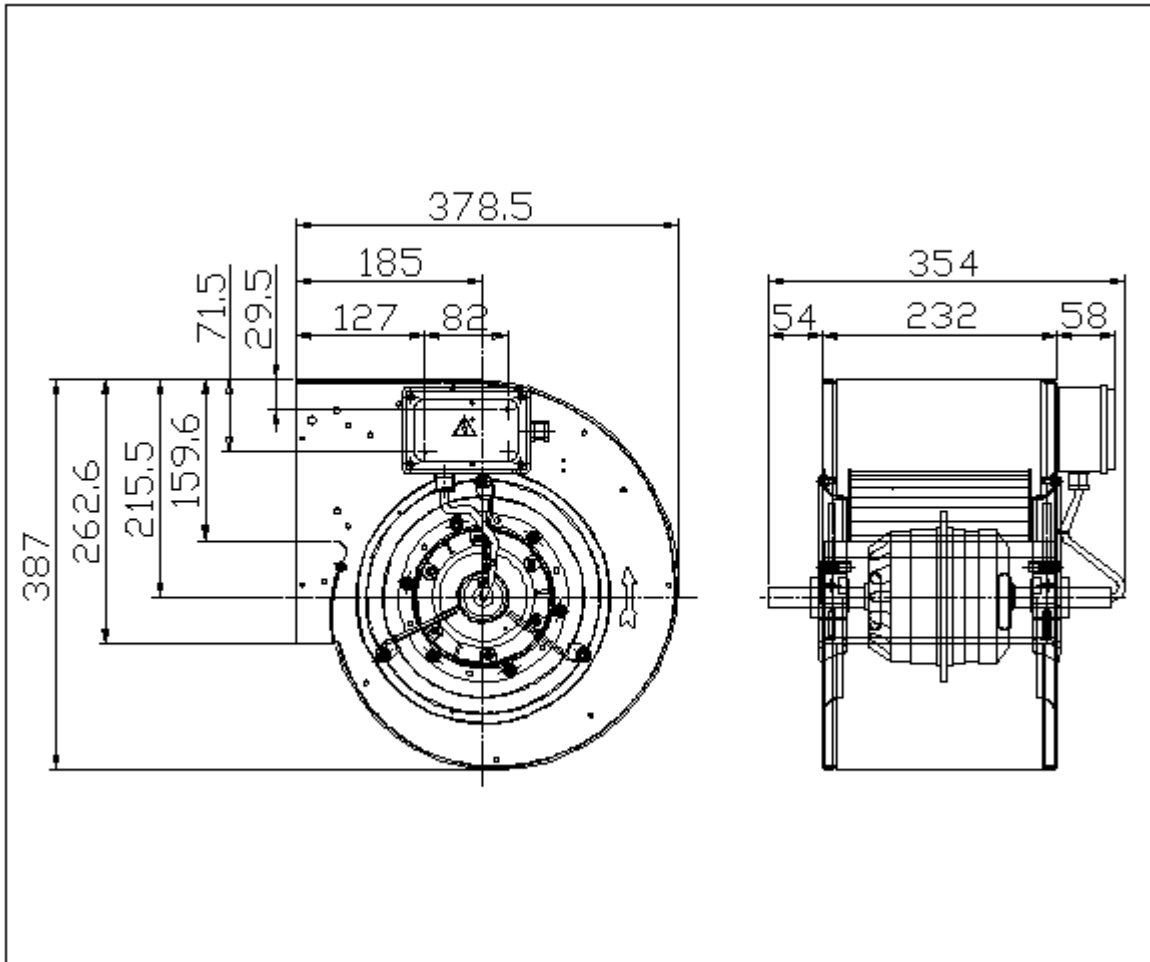
[does not fulfill the directive ErP-2013](#)

Description	Value Dimension
<b>Specified duty point</b>	
Air flow rate (V)	2215 m³/h
Static pressure rise (dp <sub>fa</sub> )	79 Pa
<b>Actual duty point</b>	
Installation acc. DIN 24163 Part 1	B
Reference density (Rho1)	1.20 kg/m³
Medium temperature (t)	20 C
Air flow rate (V)	2094 m³/h
Total pressure rise (dp <sub>t</sub> )	125 Pa
Dynamic pressure at discharge (pd <sub>2</sub> )	55 Pa
Static pressure increase (dp <sub>fa</sub> )	71 Pa
fan speed (n <sub>v</sub> )	- min <sup>-1</sup>
Absorbed power (P <sub>1</sub> )	- kW
Current (I)	- A
Total system efficiency (ETA <sub>ts</sub> )	- %
Static system efficiency (ETA <sub>fas</sub> )	- %
Specific Fan Power (SFP-factor)	- W/(m³/s)
Nozzle calibration factor (K <sub>10</sub> )	- m²s/h
Differential pressure on nozzle (dp <sub>D</sub> )	- Pa
velocity at discharge area (c)	9.6 m/s
Fan weight	13 kg
A-weighted sound power level discharge/intake LwA <sub>7</sub>	-71 dB
<b>Rated data</b>	
Phase-Voltage-Frequency	1~230-50 V-Hz
Number of poles:	6
Motor rating (P <sub>N</sub> )	0.2 kW
Max. absorbed power (P <sub>1max</sub> )	0.345 kW
Rated motor speed (n <sub>N</sub> )	840 min <sup>-1</sup>
Rated motor current (I <sub>N</sub> )	1,5 A
Capacitor (C)	8 µF
Temperature range of conveying medium (t <sub>min</sub> ... t <sub>max</sub> )	-20...70 C

Fan curve to DDM 9/7 E6G3303 1F 6P 1V +SCT == 6M02H8



Dimensions to DDM 9/7 E6G3303 1F 6P 1V +SCT == 6M02H8



Rotation:  
Handing:

RD  
90