



**Specification of: DDM 9/7 E6G3603 3F 4P 1V +SCT == 6N02WT**

**High performance centrifugal fan DDM**

Double width, double inlet (DWDI), direct drive, forward curved blades fan. Lap-jointed scroll of galvanised steel plate (EN 10142) assembled through a high technology roller-locked seaming. Straight cut off plate at fan discharge. Impeller with forward curved blades of galvanised steel plate, directly mounted on a "External Rotor" motor for no transmission losses. Closed (IP 55) frame, three-phase, single speed motor, usable at 400 V, 50 Hz or 440V, 60 Hz. Built-in thermal protection device available as option. Maintenance free, integral vibration isolators, self aligning ball bearings. Dynamically balanced according to ISO 1940. With mounted terminal box. Air performance ratings according to AMCA 210-99 (Fig. 12), UNI 10531 (Fig 30c and par. 29.2 f) and ISO 5801 (Fig. 69 c and par. 30.2 f).

**Technical data of the fan: DDM 9/7 E6G3603 3F 4P 1V +SCT == 6N02WT**

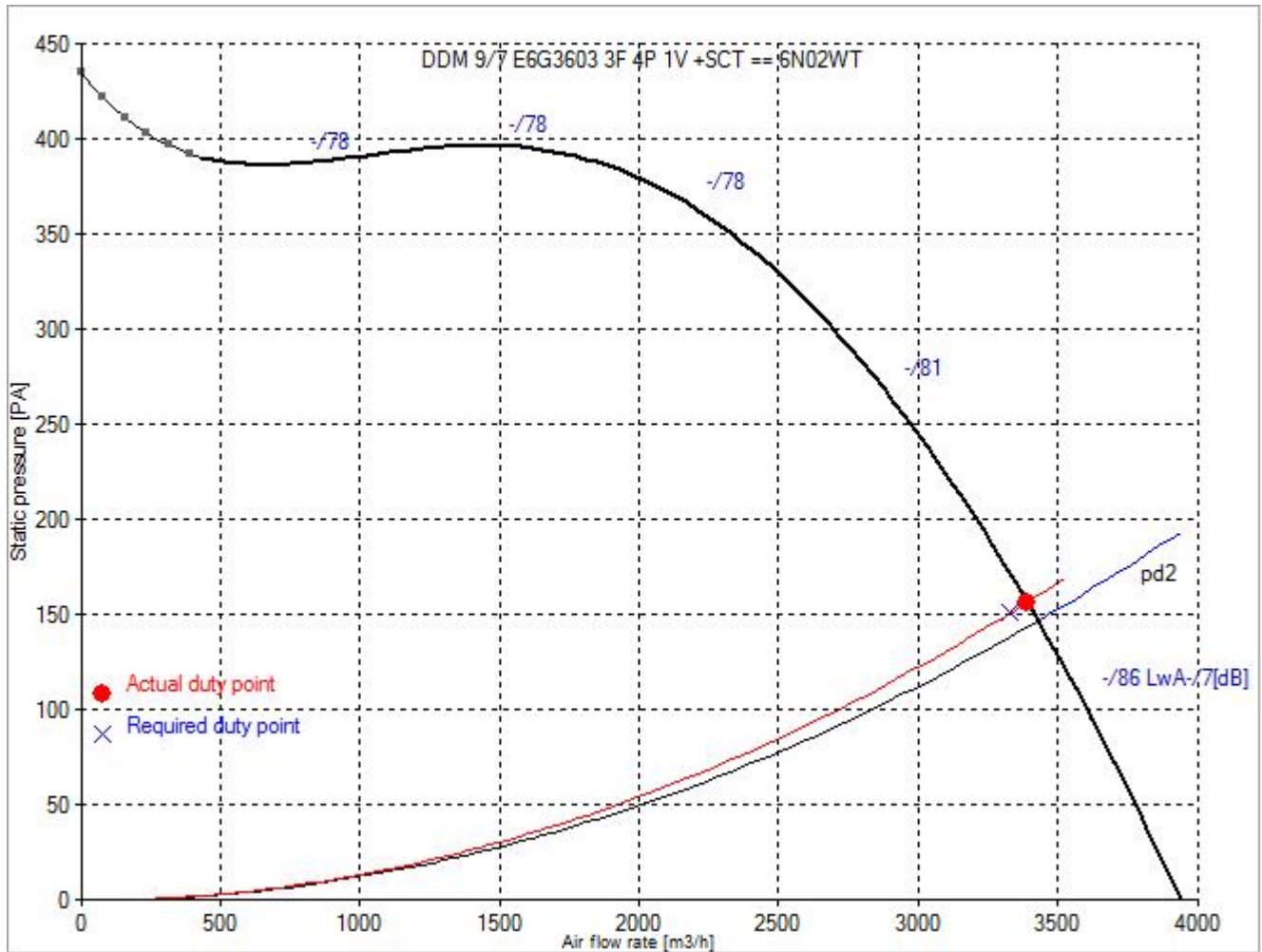
[fulfills the ErP-directive 2015](#)

Description	Value Dimension
<b>Specified duty point</b>	
Air flow rate (V)	3329 m³/h
Static pressure rise (dp <sub>fa</sub> )	151 Pa
<b>Actual duty point</b>	
Installation acc. DIN 24163 Part 1	B
Reference density (Rho1)	1.20 kg/m³
Medium temperature (t)	20 C
Air flow rate (V)	3393 m³/h
Total pressure rise (dp <sub>t</sub> )	301 Pa
Dynamic pressure at discharge (pd <sub>2</sub> )	144 Pa
Static pressure increase (dp <sub>fa</sub> )	157 Pa
fan speed (n <sub>v</sub> )	- min <sup>-1</sup>
Absorbed power (P <sub>1</sub> )	- kW
Current (I)	- A
Total system efficiency (ETA <sub>ts</sub> )	- %
Static system efficiency (ETA <sub>faS</sub> )	- %
Specific Fan Power (SFP-factor)	- W/(m³/s)
Nozzle calibration factor (K <sub>10</sub> )	- m²s/h
Differential pressure on nozzle (dp <sub>D</sub> )	- Pa
velocity at discharge area (c)	15.5 m/s
Fan weight	12 kg
A-weighted sound power level discharge/intake LwA <sub>,7</sub>	-85 dB
<b>Rated data</b>	
Phase-Voltage-Frequency	3~230/400-50 V-Hz
Number of poles:	4
Motor rating (P <sub>N</sub> )	0.55 kW
Max. absorbed power (P <sub>1max</sub> )	1.355 kW
Rated motor speed (n <sub>N</sub> )	1410 min <sup>-1</sup>
Rated motor current (I <sub>N</sub> )	4,0/2,3 A
Capacitor (C)	- µF
Temperature range of conveying medium (t <sub>min</sub> ... t <sub>max</sub> )	-20...40 C
<b>ErP - Data at optimum efficiency and density 1.20 kg/m³</b>	
measurement- / efficiency category	B / total
design status of VSD	without VSD
overall efficiency (ETA <sub>opt</sub> )	42.3 %
achieved efficiency grade (N <sub>ist</sub> )	51.0
required efficiency grade in 2013 / 2015 (N)	42 / 49
Air flow rate (V <sub>opt</sub> )	1652 m³/h
pressure rise (dp <sub>opt</sub> )	390 Pa
Fan speed (n <sub>vopt</sub> )	1346 min <sup>-1</sup>
motor power input (P <sub>1opt</sub> )	0.42 kW

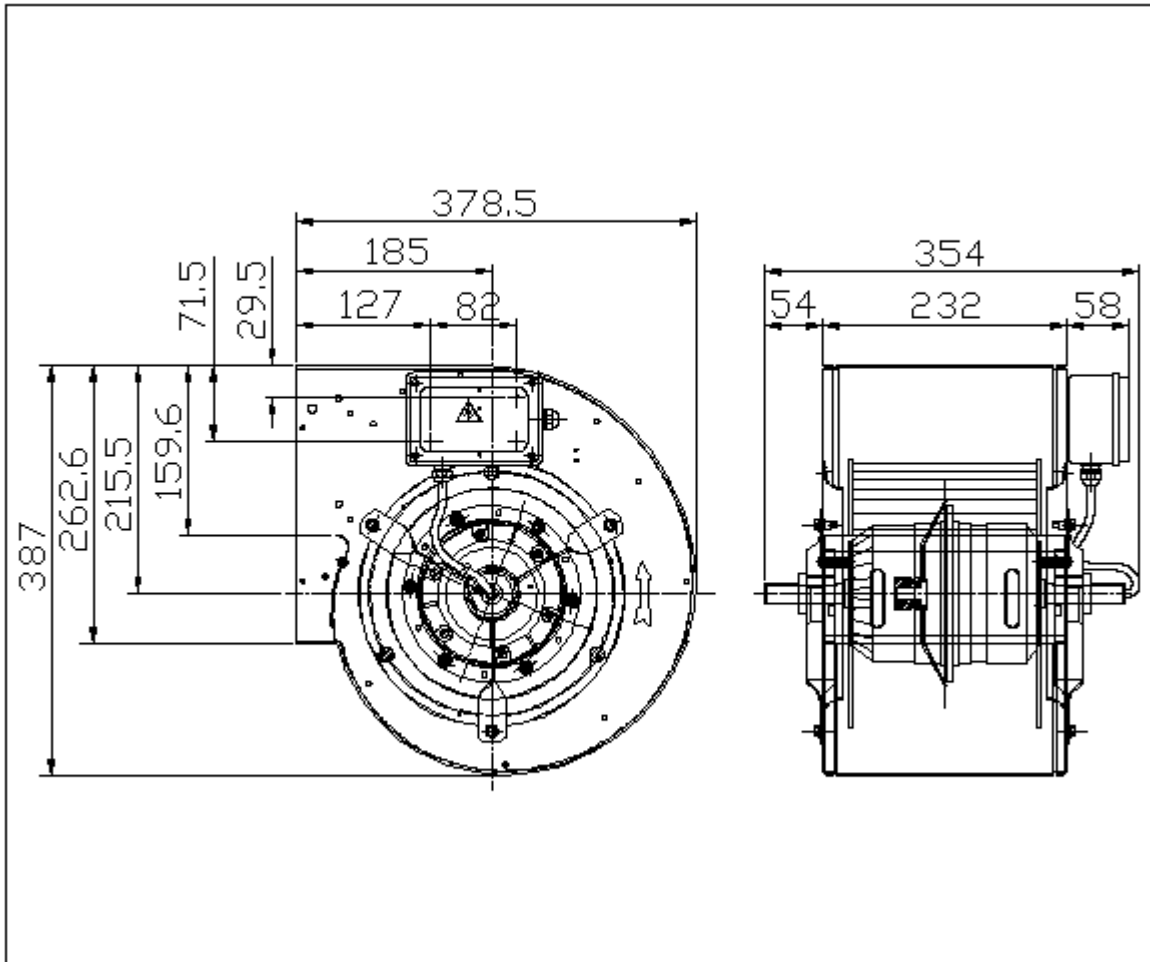
specific ratio ( $d_{popt}$ )

1.004

## Fan curve to DDM 9/7 E6G3603 3F 4P 1V +SCT == 6N02WT



Dimensions to DDM 9/7 E6G3603 3F 4P 1V +SCT == 6N02WT



Rotation:  
Handing:

RD  
90