



Specification of: DDM 9/9 E6G3603 3F 4P 1V +SCT == 6N028A

High performance centrifugal fan DDM

Double width, double inlet (DWDI), direct drive, forward curved blades fan. Lap-jointed scroll of galvanised steel plate (EN 10142) assembled through a high technology roller-locked seaming. Straight cut off plate at fan discharge. Impeller with forward curved blades of galvanised steel plate, directly mounted on a "External Rotor" motor for no transmission losses. Closed (IP 55) frame, three-phase, single speed motor, usable at 400 V, 50 Hz or 460V, 60 Hz. With built-in thermal protection device. Maintenance free, integral vibration isolators, self aligning ball bearings. Dynamically balanced according to ISO 1940. With mounted terminal box. Air performance ratings according to AMCA 210-99 (Fig. 12), UNI 10531 (Fig 30c and par. 29.2 f) and ISO 5801 (Fig. 69 c and par. 30.2 f).

Technical data of the fan: DDM 9/9 E6G3603 3F 4P 1V +SCT == 6N028A

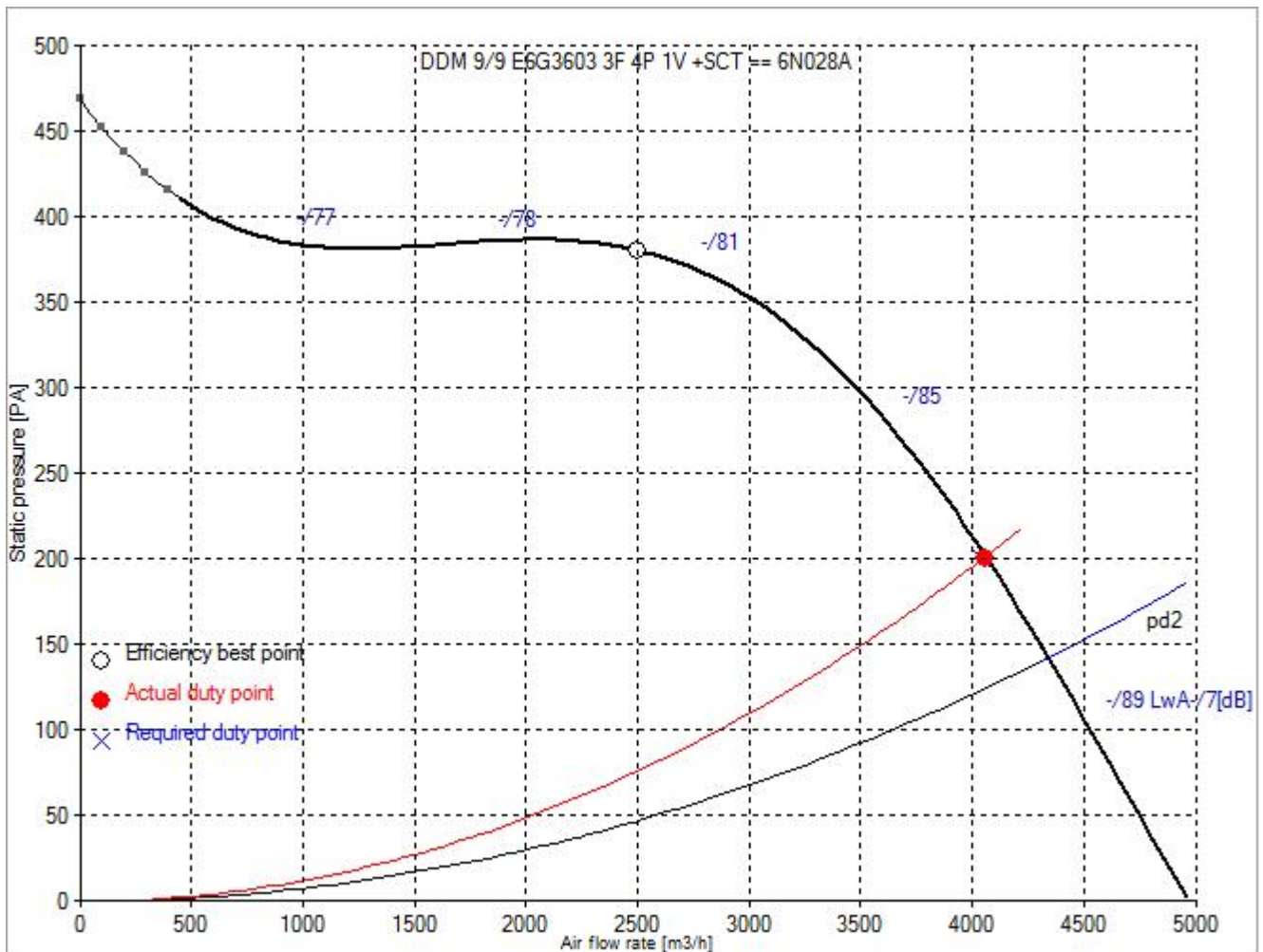
[fulfills the ErP-directive 2015](#)

Description	Value Dimension
Specified duty point	
Air flow rate (V)	4041 m³/h
Static pressure rise (dp _{fa})	200 Pa
Actual duty point	
Installation acc. DIN 24163 Part 1	B
Reference density (Rho1)	1.20 kg/m³
Medium temperature (t)	20 C
Air flow rate (V)	4058 m³/h
Total pressure rise (dp _t)	326 Pa
Dynamic pressure at discharge (pd ₂)	124 Pa
Static pressure increase (dp _{fa})	202 Pa
fan speed (n _v)	- min ⁻¹
Absorbed power (P ₁)	- kW
Current (I)	- A
Total system efficiency (ETA _{ts})	- %
Static system efficiency (ETA _{faS})	- %
Specific Fan Power (SFP-factor)	- W/(m³/s)
Nozzle calibration factor (K ₁₀)	- m²s/h
Differential pressure on nozzle (dp _D)	- Pa
velocity at discharge area (c)	14.4 m/s
Fan weight	16 kg
A-weighted sound power level discharge/intake LwA _{,7}	-87 dB
Rated data	
Phase-Voltage-Frequency	3~230/400-50 V-Hz
Number of poles:	4
Motor rating (P _N)	0.55 kW
Max. absorbed power (P _{1max})	1.656 kW
Rated motor speed (n _N)	1410 min ⁻¹
Rated motor current (I _N)	4,8/2,8 A
Capacitor (C)	- µF
Temperature range of conveying medium (t _{min} ... t _{max})	-20...40 C
ErP - Data at optimum efficiency and density 1.20 kg/m³	
measurement- / efficiency category	B / total
design status of VSD	without VSD
overall efficiency (ETA _{opt})	43.2 %
achieved efficiency grade (N _{ist})	50.6
required efficiency grade in 2013 / 2015 (N)	42 / 49
Air flow rate (V _{opt})	2414 m³/h
pressure rise (dp _{opt})	430 Pa
Fan speed (n _{vopt})	1416 min ⁻¹
motor power input (P _{1opt})	0.67 kW

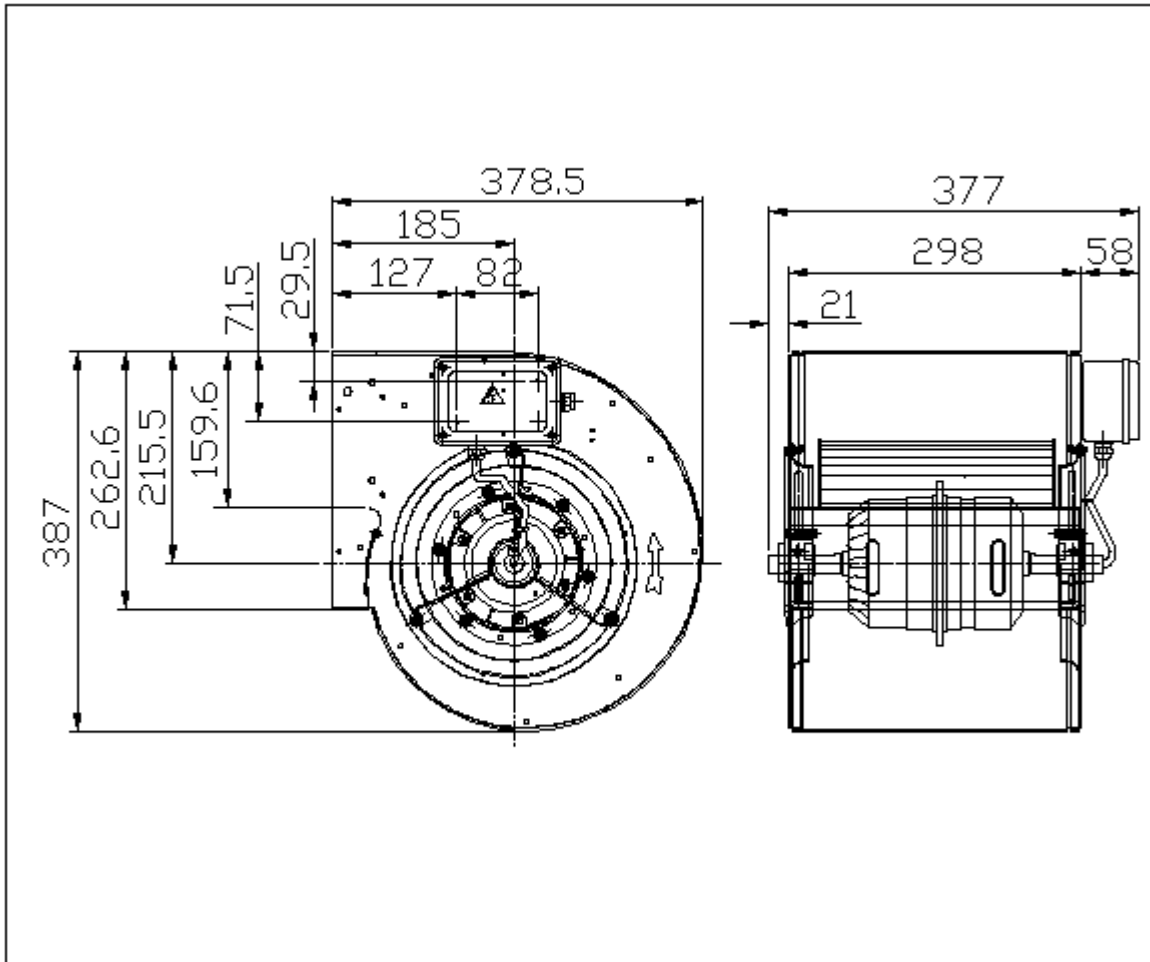
specific ratio (d_{dopt})

1.004

Fan curve to DDM 9/9 E6G3603 3F 4P 1V +SCT == 6N028A



Dimensions to DDM 9/9 E6G3603 3F 4P 1V +SCT == 6N028A



Rotation:
Handing:

RD
90