



6M02L8

Specification of: DDM 9/9 TIGHT E6G3405 1F 4P 1V +SCT ==

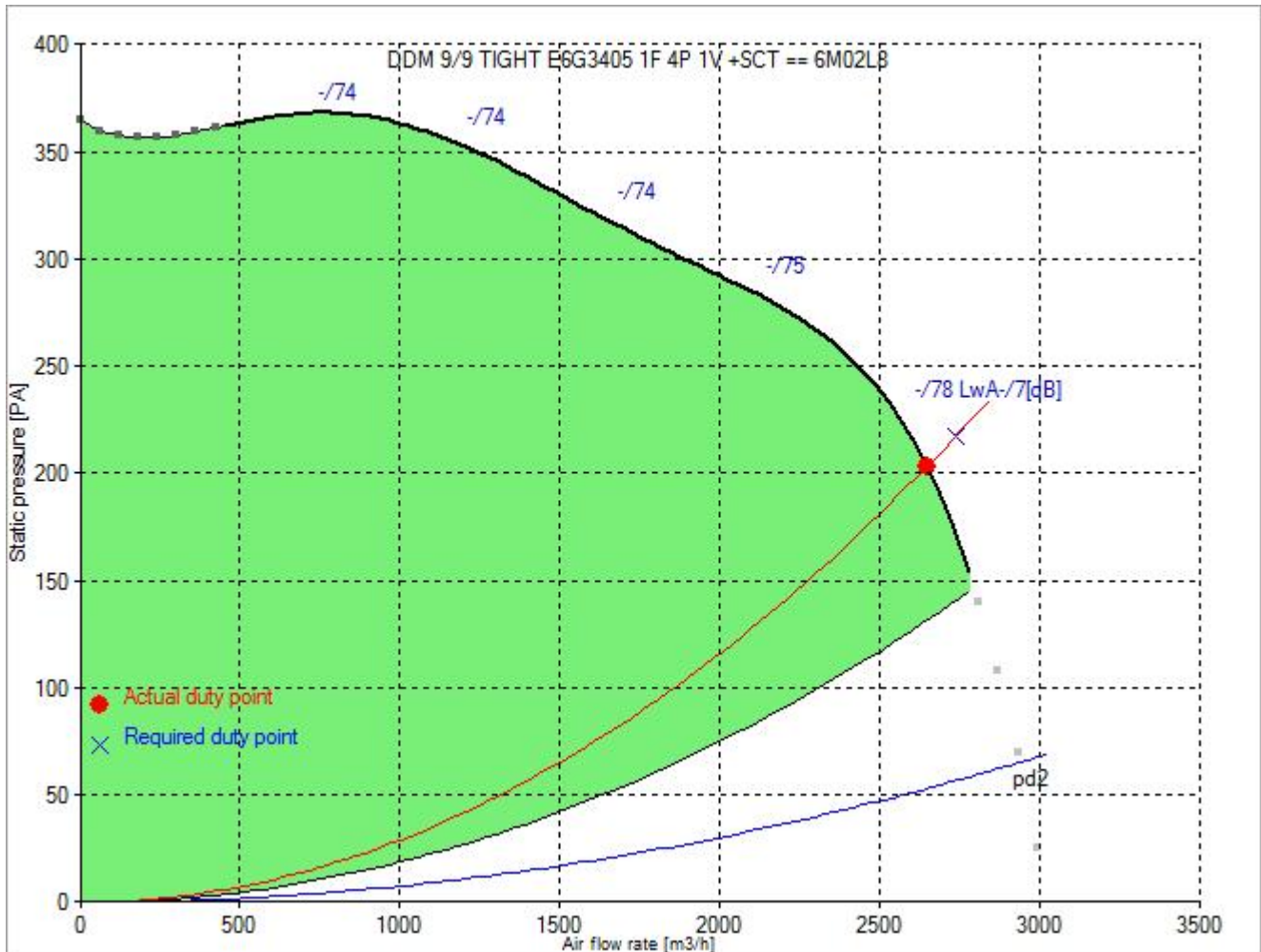
High performance centrifugal fan DDM

Double width, double inlet (DWDI), direct drive, forward curved blades fan. Lap-jointed scroll of galvanised steel plate (EN 10142) assembled through a high technology roller-locked seaming. Straight cut off plate at fan discharge. Impeller with forward curved blades of galvanised steel plate, directly mounted on a "External Rotor" motor for no transmission losses. Closed (IP 55) frame, single-phase, voltage controllable motor, usable at 230 V, 50 Hz. Built-in thermal protection device available as option. Maintenance free, integral vibration isolators, self aligning ball bearings. Dynamically balanced according to ISO 1940. With mounted terminal box. Air performance ratings according to AMCA 210-99 (Fig. 12), UNI 10531 (Fig 30c and par. 29.2 f) and ISO 5801 (Fig. 69 c and par. 30.2 f).

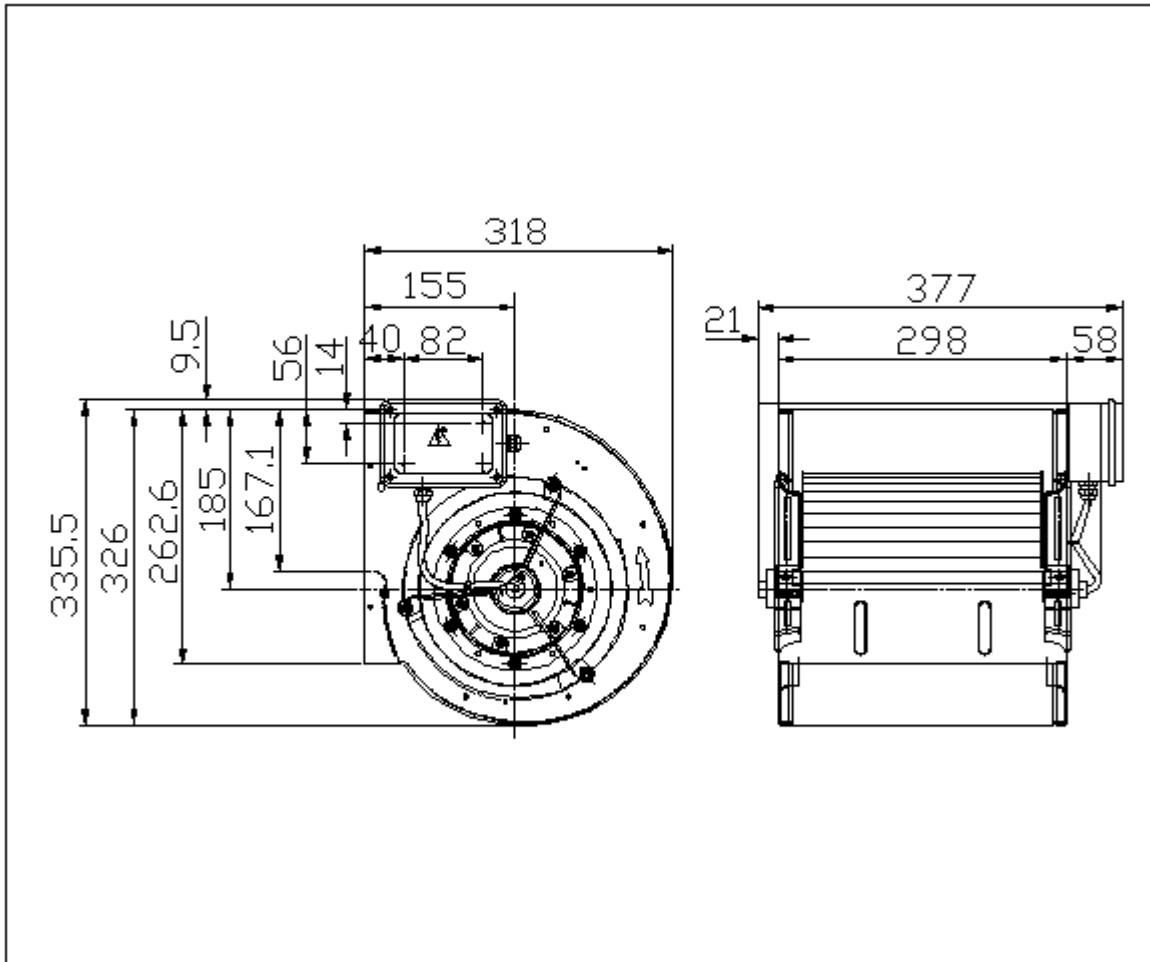
Technical data of the fan: DDM 9/9 TIGHT E6G3405 1F 4P 1V +SCT == 6M02L8 does not fulfill the directive ErP-2013

Description	Value Dimension
Specified duty point	
Air flow rate (V)	2737 m³/h
Static pressure rise (dp _{ra})	217 Pa
Actual duty point	
Installation acc. DIN 24163 Part 1	B
Reference density (Rho1)	1.20 kg/m³
Medium temperature (t)	20 C
Air flow rate (V)	2650 m³/h
Total pressure rise (dp _t)	256 Pa
Dynamic pressure at discharge (pd ₂)	53 Pa
Static pressure increase (dp _{ra})	203 Pa
fan speed (n _v)	- min ⁻¹
Absorbed power (P ₁)	- kW
Current (I)	- A
Total system efficiency (ETA _{ts})	- %
Static system efficiency (ETA _{ras})	- %
Specific Fan Power (SFP-factor)	- W/(m³/s)
Nozzle calibration factor (K ₁₀)	- m²s/h
Differential pressure on nozzle (dp _D)	- Pa
velocity at discharge area (c)	9.4 m/s
Fan weight	15 kg
A-weighted sound power level discharge/intake LwA ₋₁₇	-79 dB
Rated data	
Phase-Voltage-Frequency	1~230-50 V-Hz
Number of poles:	4
Motor rating (P _N)	0.42 kW
Max. absorbed power (P _{1max})	0.865 kW
Rated motor speed (n _N)	1320 min ⁻¹
Rated motor current (I _N)	3,8 A
Capacitor (C)	16 µF
Temperature range of conveying medium (t _{min} ... t _{max})	-20...40 C

Fan curve to DDM 9/9 TIGHT E6G3405 1F 4P 1V +SCT == 6M02L8



Dimensions to DDM 9/9 TIGHT E6G3405 1F 4P 1V +SCT == 6M02L8



Rotation:
Handing:

RD
90