

REQUEST | project data



Specification of: RDA 21-1819-4E

Centrifugal Roof Fan Gebhardt genovent

with swirl free horizontal directed discharge for gas medium up to app. +40 °C. Stylish casing and base frame with intake nozzle made of galvanised steel sheet Flange connection at intake acc. to DIN 24155-2 Discharge outlets protected from the weather with an aerodynamically shaped grille. Centrifugal impeller with backward curved blades, mounted on the rotor of a variable speed integral external rotor motor, protected to IP 44. Motor protection is through direct switching thermal contacts in the motor winding, Dynamically balanced, installed vibration free, totally maintenance free. Performance data in according DIN 24166 tolerance class 2 (BS 848 Class "B").

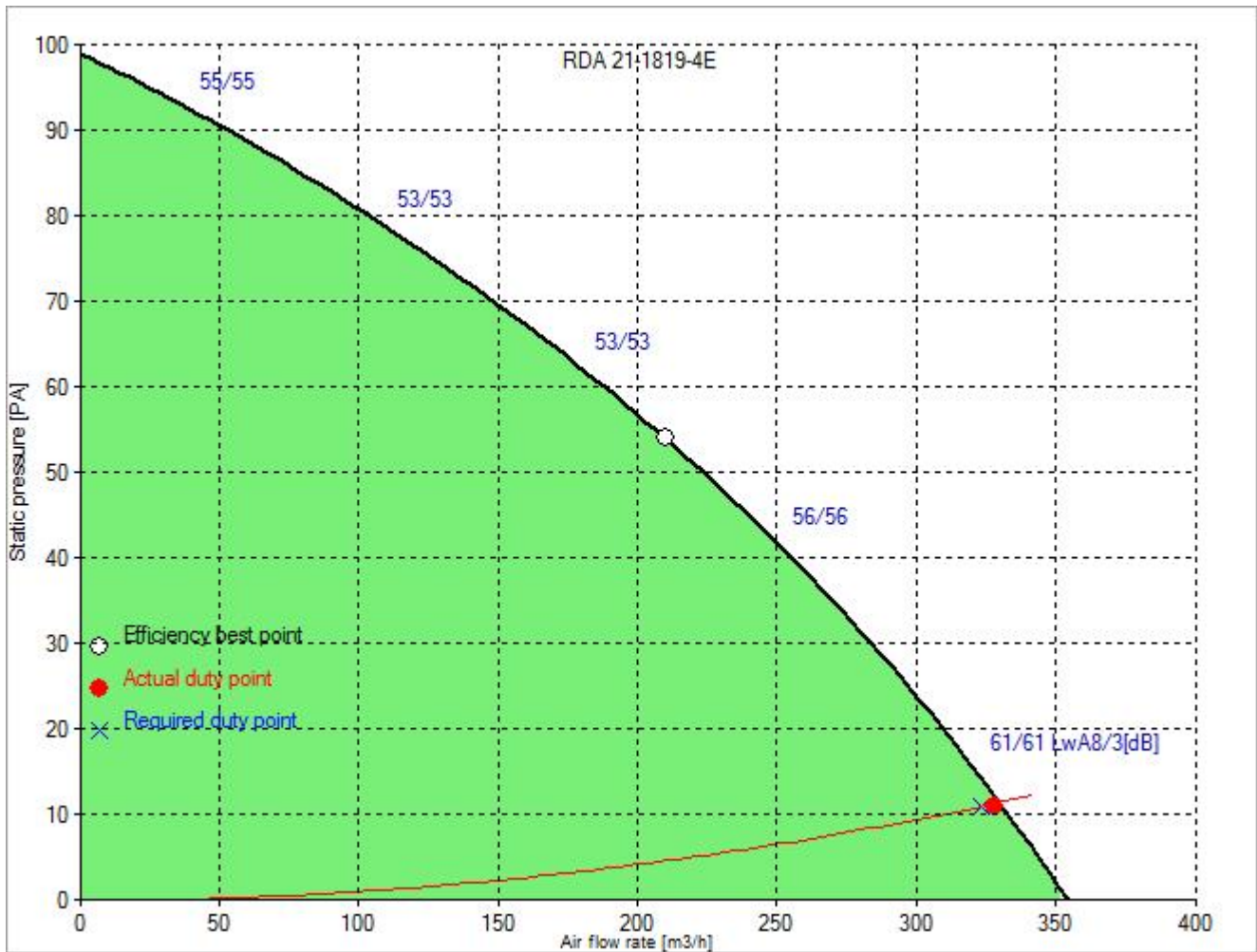
Technical data of the fan: RDA 21-1819-4E

ErP-directive not applicable

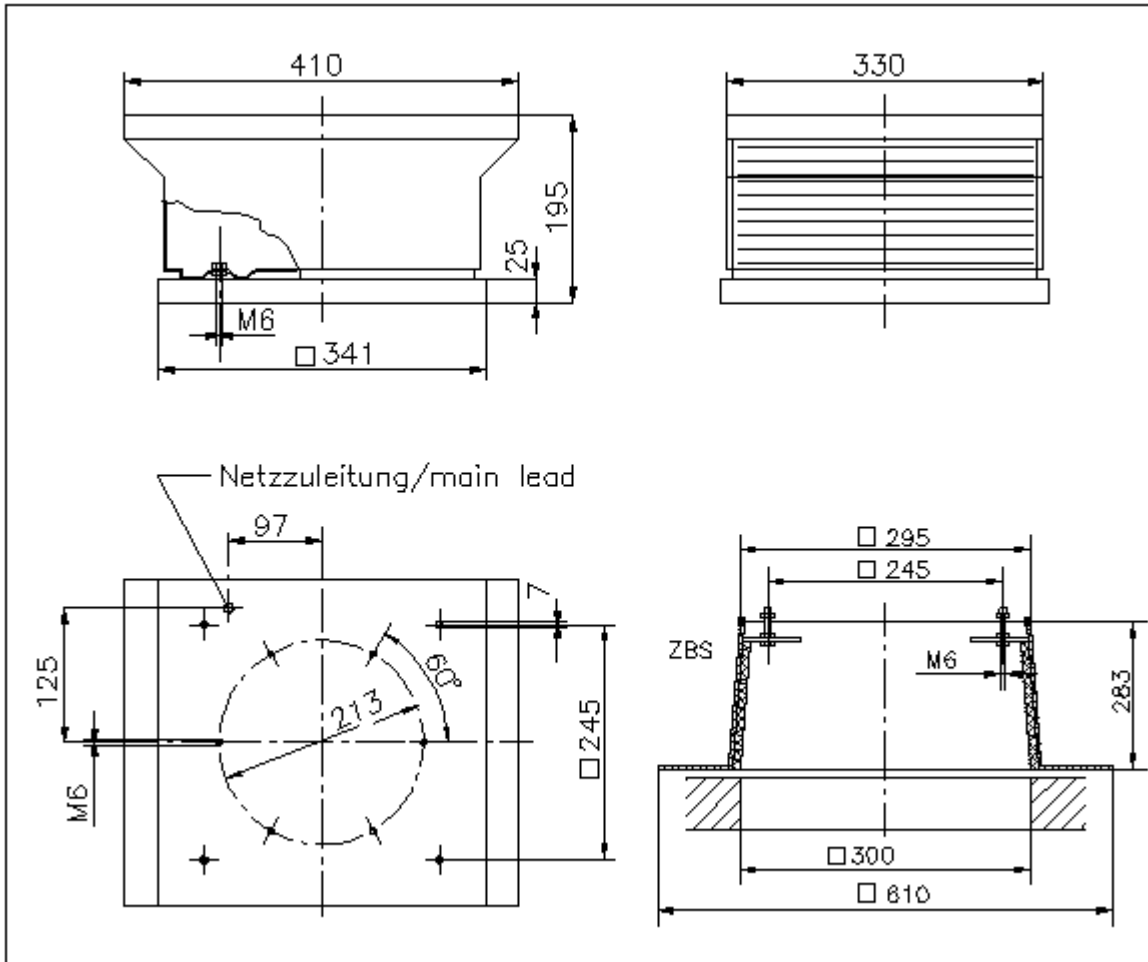
Description	Value Dimension
Specified duty point	
Air flow rate (V)	323 m³/h
Static pressure rise (dp _{fa})	11 Pa
Actual duty point	
Installation acc. DIN 24163 Part 1	A
Reference density (Rho1)	1.15 kg/m³
Medium temperature (t)	20 C
Air flow rate (V)	329 m³/h
Static pressure increase (dp _{fa})	11 Pa
fan speed (n _v)	- min ⁻¹
Absorbed power (P ₁)	- kW
Current (I)	- A
Static system efficiency (ETA _{faS})	- %
Specific Fan Power (SFP-factor)	- W/(m³/s)
Nozzle calibration factor (K ₁₀)	- m²s/h
Differential pressure on nozzle (dp _D)	- Pa
velocity at discharge area (c)	- m/s
Fan weight	5 kg
A-weighted sound power level discharge/intake LwA _{B/3}	62/62 dB
Unweighted octave sound power level	Octave mid frequencies ¹⁾ 63/125/250/500/1k/2k/4k/8k Hz 49/47/56/54/52/58/54/43 dB discharge LwOkt ₈ 66/66/63/57/55/53/53/37 dB intake LwOkt ₃
Rated data	
Phase-Voltage-Frequency	1~230-50 V-Hz
Number of poles:	4
Motor rating (P _N)	- kW
Max. absorbed power (P _{1max})	0.04 kW
Rated motor speed (n _N)	1405 min ⁻¹
Rated motor current (I _N)	0,17 A
Capacitor (C)	1,4 µF
Temperature range of conveying medium (t _{min} ... t _{max})	-20...50 C

¹⁾ The octave sound power levels can be higher at octave bands at or close to blade passing frequency.

Fan curve to RDA 21-1819-4E



Dimensions to RDA 21-1819-4E



Rotation:
Handing:

RD
90